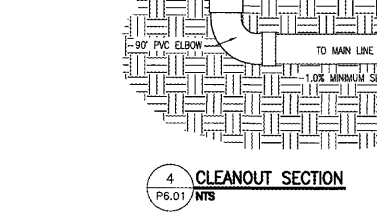
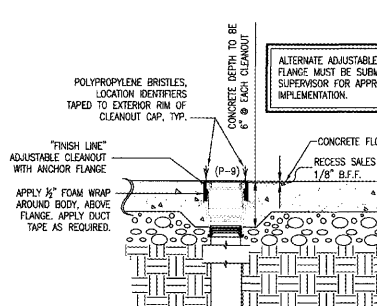
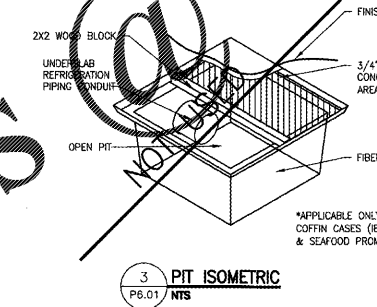
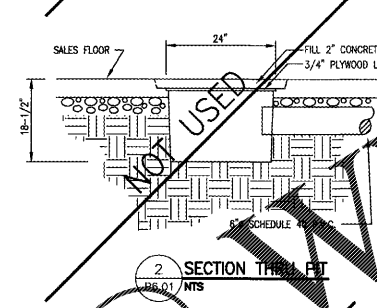
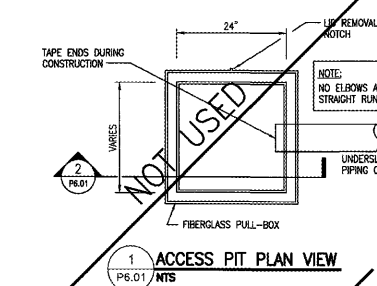


PLUMBING FIXTURE SCHEDULE

MARK	FIXTURE	MANUFACTURER/SUPPLIER	MODEL No.	MATERIAL	SIZE	FAUCET AND DRAIN	TRAP	SUPPLIES AND STOPS	REMARKS
P-1	WATER CLOSET	AMERICAN STANDARD	4234.015	VERDUGO CERAM	30" R	---	---	---	SLOAN 117 REGAL FLUSH VALVE
P-2	WATER CLOSET	AMERICAN STANDARD	4234.015	VERDUGO CERAM	30" R	---	---	---	SMITH 2415-B-PB
P-3	WATER CLOSET	AMERICAN STANDARD	4234.015	VERDUGO CERAM	30" R	---	---	---	SMITH 2415-B-PB
P-4	WATER CLOSET	AMERICAN STANDARD	4234.015	VERDUGO CERAM	30" R	---	---	---	SMITH 2415-B-PB
P-5	WATER CLOSET	AMERICAN STANDARD	4234.015	VERDUGO CERAM	30" R	---	---	---	SMITH 2415-B-PB
P-6	WATER CLOSET	AMERICAN STANDARD	4234.015	VERDUGO CERAM	30" R	---	---	---	SMITH 2415-B-PB
P-7	WATER CLOSET	AMERICAN STANDARD	4234.015	VERDUGO CERAM	30" R	---	---	---	SMITH 2415-B-PB
P-8	WATER CLOSET	AMERICAN STANDARD	4234.015	VERDUGO CERAM	30" R	---	---	---	SMITH 2415-B-PB
P-9	FLOOR CLEAN-OUT	SILOX CHEF	834-49NR	PVC WITH NICKEL/BRONZE TOP	4"	---	---	---	WITH BODY FLANGE REFER TO DETAIL ON SHEET P6.01
P-10	WATER HEATER	BRADLEY	519-220	---	---	---	---	---	SEE DETAIL ON SHEET P6.01
P-11	WATER HEATER	BRADLEY	519-220	---	---	---	---	---	SEE DETAIL ON SHEET P6.01
P-12	WATER HEATER	BRADLEY	519-220	---	---	---	---	---	SEE DETAIL ON SHEET P6.01
P-13	WATER HEATER	BRADLEY	519-220	---	---	---	---	---	SEE DETAIL ON SHEET P6.01
P-14	WATER HEATER	BRADLEY	519-220	---	---	---	---	---	SEE DETAIL ON SHEET P6.01
P-15	WATER HEATER	BRADLEY	519-220	---	---	---	---	---	SEE DETAIL ON SHEET P6.01
P-16	WATER HEATER	BRADLEY	519-220	---	---	---	---	---	SEE DETAIL ON SHEET P6.01
P-17	WATER HEATER	BRADLEY	519-220	---	---	---	---	---	SEE DETAIL ON SHEET P6.01
P-18	WATER HEATER	BRADLEY	519-220	---	---	---	---	---	SEE DETAIL ON SHEET P6.01
P-19	WATER HEATER	BRADLEY	519-220	---	---	---	---	---	SEE DETAIL ON SHEET P6.01
P-20	WATER HEATER	BRADLEY	519-220	---	---	---	---	---	SEE DETAIL ON SHEET P6.01
P-21	WATER HEATER	BRADLEY	519-220	---	---	---	---	---	SEE DETAIL ON SHEET P6.01
P-22	WATER HEATER	BRADLEY	519-220	---	---	---	---	---	SEE DETAIL ON SHEET P6.01
P-23	WATER HEATER	BRADLEY	519-220	---	---	---	---	---	SEE DETAIL ON SHEET P6.01
P-24	WATER HEATER	BRADLEY	519-220	---	---	---	---	---	SEE DETAIL ON SHEET P6.01
P-25	WATER HEATER	BRADLEY	519-220	---	---	---	---	---	SEE DETAIL ON SHEET P6.01
P-26	WATER HEATER	BRADLEY	519-220	---	---	---	---	---	SEE DETAIL ON SHEET P6.01
P-27	WATER HEATER	BRADLEY	519-220	---	---	---	---	---	SEE DETAIL ON SHEET P6.01
P-28	WATER HEATER	BRADLEY	519-220	---	---	---	---	---	SEE DETAIL ON SHEET P6.01
P-29	WATER HEATER	BRADLEY	519-220	---	---	---	---	---	SEE DETAIL ON SHEET P6.01
P-30	WATER HEATER	BRADLEY	519-220	---	---	---	---	---	SEE DETAIL ON SHEET P6.01
P-31	WATER HEATER	BRADLEY	519-220	---	---	---	---	---	SEE DETAIL ON SHEET P6.01
P-32	WATER HEATER	BRADLEY	519-220	---	---	---	---	---	SEE DETAIL ON SHEET P6.01
P-33	EMERGENCY EYE WASH UNIT WITH BRACKET	BRADLEY	519-220	---	---	---	---	---	SEE DETAIL ON SHEET P6.01
P-34	EMERGENCY EYE WASH UNIT WITH BRACKET	BRADLEY	519-220	---	---	---	---	---	SEE DETAIL ON SHEET P6.01
P-35	EMERGENCY EYE WASH UNIT WITH BRACKET	BRADLEY	519-220	---	---	---	---	---	SEE DETAIL ON SHEET P6.01
P-36	EMERGENCY EYE WASH UNIT WITH BRACKET	BRADLEY	519-220	---	---	---	---	---	SEE DETAIL ON SHEET P6.01
P-37	EMERGENCY EYE WASH UNIT WITH BRACKET	BRADLEY	519-220	---	---	---	---	---	SEE DETAIL ON SHEET P6.01
P-38	EMERGENCY EYE WASH UNIT WITH BRACKET	BRADLEY	519-220	---	---	---	---	---	SEE DETAIL ON SHEET P6.01
P-39	EMERGENCY EYE WASH UNIT WITH BRACKET	BRADLEY	519-220	---	---	---	---	---	SEE DETAIL ON SHEET P6.01
P-40	EMERGENCY EYE WASH UNIT WITH BRACKET	BRADLEY	519-220	---	---	---	---	---	SEE DETAIL ON SHEET P6.01

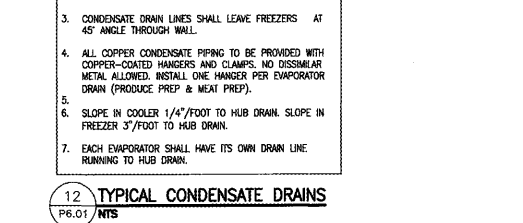
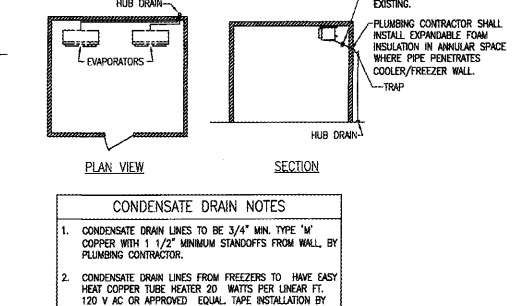
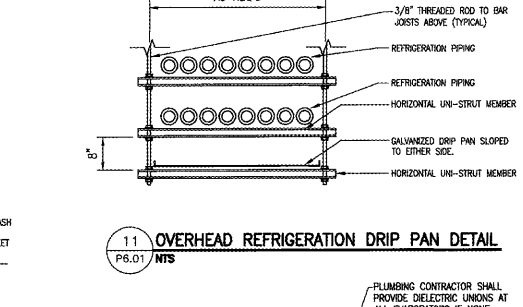
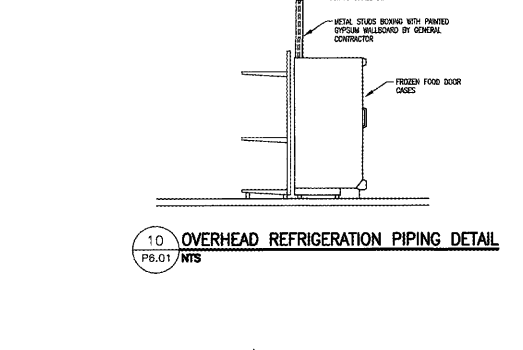
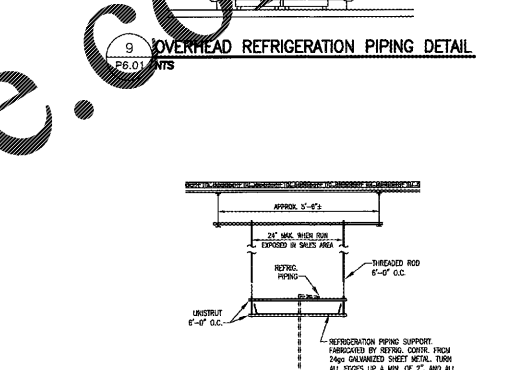
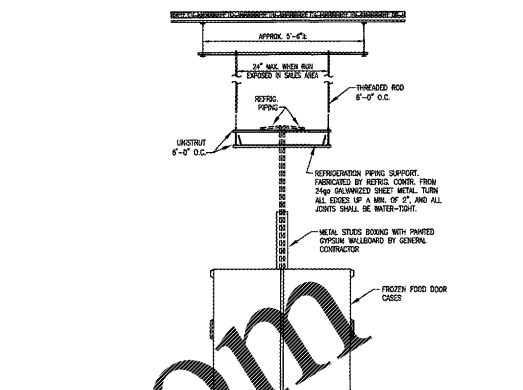
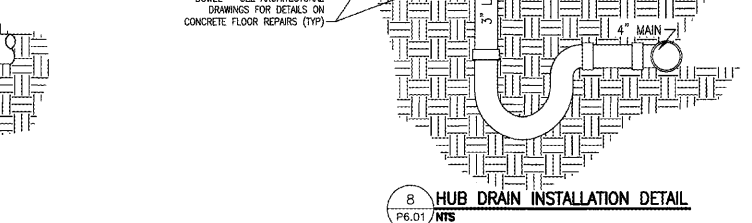
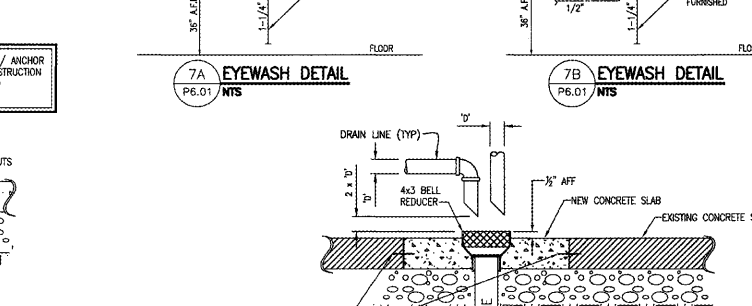
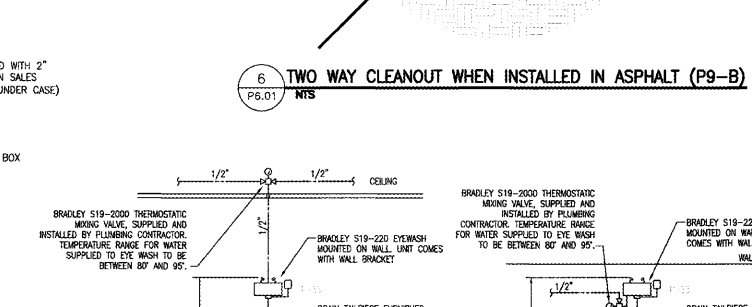
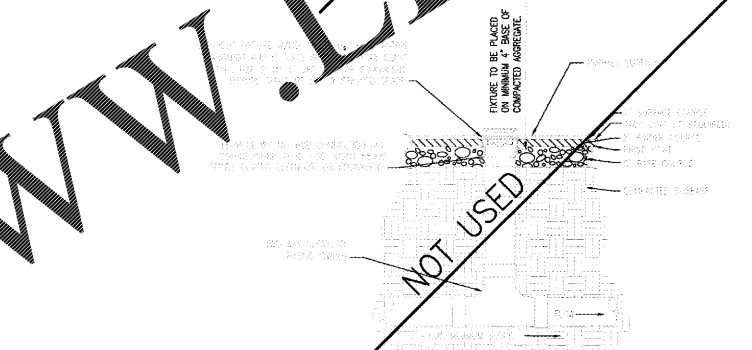
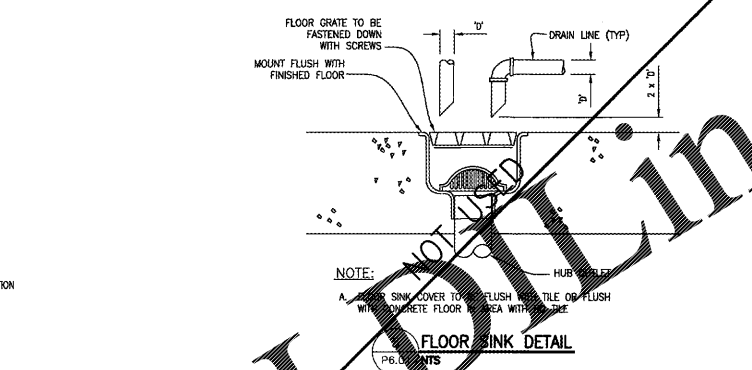
ACCEPTABLE ALTERNATE MANUFACTURERS:

P-1 TOTO C705EN KOHLER K-4350	P-8 SMITH 2005-QV-PB WADE W-1104-37-31-2 JOSAM 3000A-753-2 WATTS FD-100-A7-8
P-1A TOTO C705EN KOHLER K-4368	P-8A SMITH 9814-SYSTEM
P-2 TOTO UT447E (0.5 GPF) KOHLER K-4940-ET (0.5 GPF)	P-17 JOSAM 3984 w/67104A WATTS FD-460-P-9 WADE W-1640
P-3 TOTO LT307.4 KOHLER K-2054	P-18 SMITH 2415-B-PB WADE W-2310-1-14 W/2450 JOSAM 37810-20-14-2 w/67104A
P-4 HALSEY TAYLOR WM-16W	P-19 JOSAM 32300-1.88100 SMITH 2120 WATTS FD-320-Y-6 WATTS HY420-6
P-5 KOHLER K-8906	P-20 WATTS CO-500-RD WADE W-8590-1 W/ W-8480R
P-6 SMITH 5609-OT WOODFORD MODEL 60 WADE W-8620-L JOSAM 71050-50 WATTS HY420-6	P-21 JOSAM 32300-1.88100 SMITH 2120 WATTS FD-320-Y-6 WATTS HY420-6
P-7 AMERICAN STANDARD 8344-111	P-22 WATTS CO-500-RD WADE W-8590-1 W/ W-8480R
	P-23 SILOX CHEF 861.3PX
	P-29 WATTS RD-300K



NATIONAL ACCOUNTS QUICK REFERENCE SHEET

EQUIPMENT	SUPPLIER	CONTACT PERSON	E-MAIL ADDRESS	CONTACT PHONE
AUTOMATIC DOORS	ASSA-ABLOY/ BESAM	JESSICA SHANE	JESSICA.SHANE@ASSAABLOY.COM	(800)249-9498
DOCK DOORS, SEALS, AND DOCK LEVELERS	OVERHEAD DOOR	SCOTT GREER	SCOTT_GREER@OVERHEADDOOR.COM	(469)549-7187
HAND DRYERS	GEORGE SCOTT & ASSOC	BILL SCOTT	BILL.SCOTT@SCOTL.COM	(704)378-4775
HOLLOW METAL DOORS & HARDWARE	BA HOFF	JOSEPH HOLLAND	J.HOLLAND@BAHOFF.COM	(919)986-4446
HVAC SYSTEM/ ENERGY MANAGEMENT/ ENVIRONMENTAL CONTROL	SESCO/ MOHAMARA	SHARON TURNER PERRY SHEPHERD	SHARON@TRS-SESCO.COM	(336)986-2220
INTERIOR LIGHT PACKAGE	SYLVANIA LIGHTING	LESA MASTIN	LESA.MASTIN@SYLVANIA.COM	(800)379-1514
POWER WALL	CO CONTROLS	ED ROS	EDROS@COCONTROLS.COM	(540)292-0779
SINKS	JOHN BOOS	MICHELLE HARRELSON LISA WINDLE	CS1@HEFCOLL.COM CS4@HEFCOLL.COM	(800)327-1817
SITE LIGHTING PACKAGE	LSO (FOOD LION)	ROCK DONALD	ROCKDONALD@LIGHTINGSOLUTIONS-DESIGN.COM	(804)357-7840
TRAFFIC DOORS	HEFCO	MICHELLE HARRELSON LISA WINDLE	CS1@HEFCOLL.COM CS4@HEFCOLL.COM	(800)327-1817
VESTRIBULE CARPET	PORTRCO SYSTEMS	STEVE HARRISON BILL LONG	SHARRON@PORTRCOYSTEMS.COM BLON@PORTRCOYSTEMS.COM	(864)527-3148
WATER FOUNTAINS, WATER HEATERS, STANDS AND AQUASTAT (THERMOSTATS)	WW GRANGER	SAMANTHA DI FRANCESCO	SAMANTHA.DIFRANCESCO@GRANGER.COM	(704)378-0785



INTERPLAN
ARCHITECTURE
ENGINEERING
INTERIOR DESIGN
PROJECT MANAGEMENT

604 COURTLAND STREET SUITE 100
ORLANDO, FLORIDA 32804
PH 407.445.5008
FX 407.629.9124

ARCHITECTS SEAL:

ENGINEER'S SEAL:

COMMISSION OF VIRGINIA REGISTERED PROFESSIONAL ENGINEERS
STACY TREVOR HENSON License # 0402857830
FEB 13 2020

REVISIONS
NO DATE REMARKS

FOOD LION
2118 Executive Drive, Salisbury, NC 28145
Telephone: 781.633.0259
Food Lion is a DELAWARE/AMERICA company.

FOOD LION REMODEL STORE #1208
13490 DUMFRIES RD
MANASSAS, VA 20112

PROJECT NO: 2019.0917
DATE: 2-13-20
29 OF 47
P6.01
PLUMBING SCHEDULE AND DETAILS
CHECKED: PD DRAWN: AE