

ENGINEER'S SEAL:

Digitally signed  
by Harold G  
Higgenbotham  
Date:  
2020.02.12  
17:31:49 -05'00'

HAROLD G. HIGGENBOTHAM, P.E.  
VIRGINIA LIC. NO. 04284

REVISIONS  
NO. DATE REMARKS

FOOD LION  
REMODEL  
STORE #1208  
13490 DUMFRIES RD  
MANASSAS, VA 20112

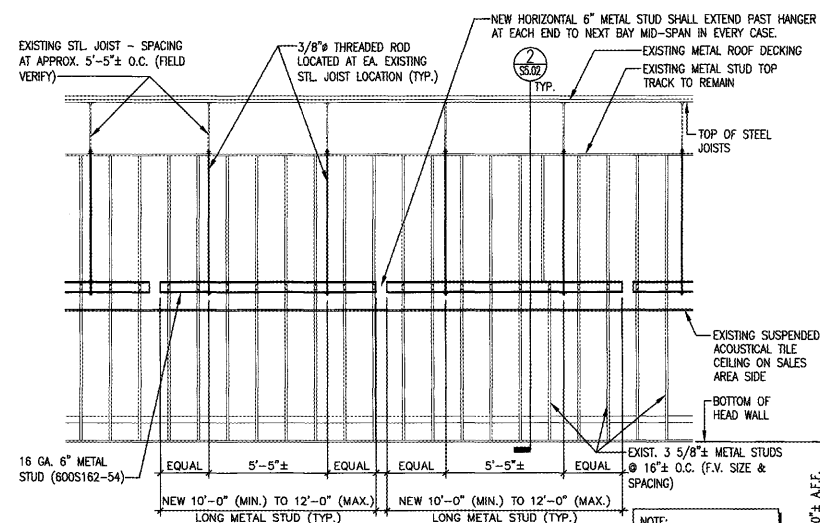
PROJECT NO: 2019.0917  
DATE: 02-13-20

23 OF 47

**\$5.02**

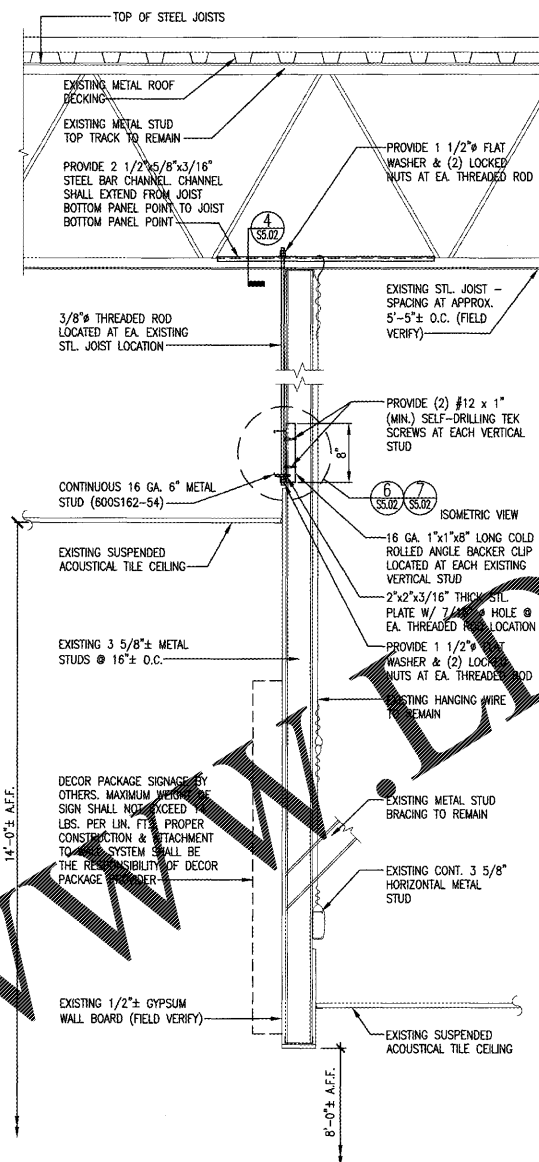
STRUCTURAL DETAILS

CHECKED: HGH DRAWN: RED



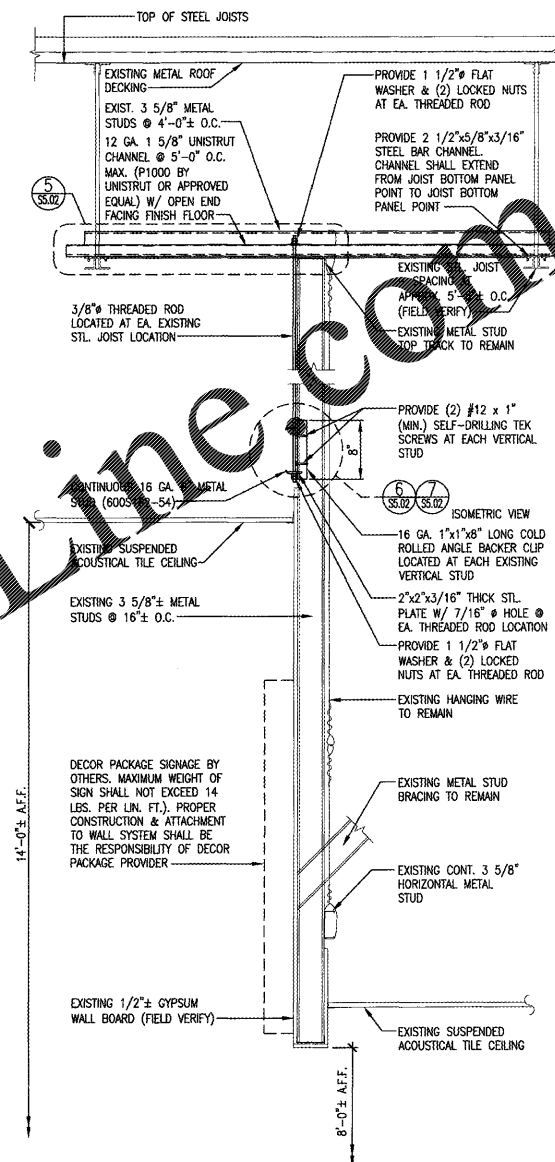
TYP. HEAD WALL ADDED  
SUPPORT ELEV. (HEADWALL  
PERPENDICULAR TO JOISTS)

DETAIL 1  
1/4" = 1'-0"



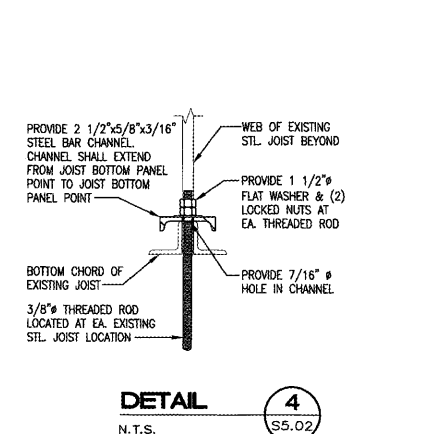
TYP. HEAD WALL ADDED SUPPORT  
(HEADWALL PERPENDICULAR TO JOISTS)

DETAIL 2  
1" = 1'-0"

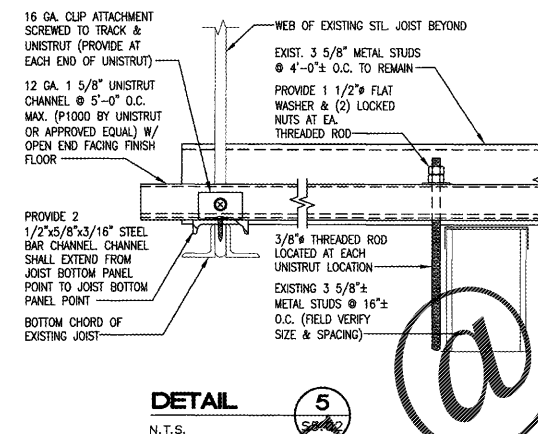


TYP. HEAD WALL ADDED SUPPORT  
(HEADWALL PARALLEL TO JOISTS)

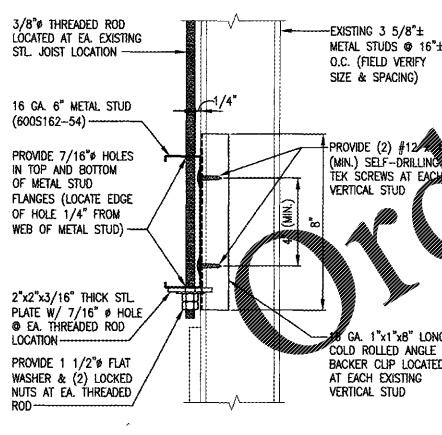
DETAIL 3  
1" = 1'-0"



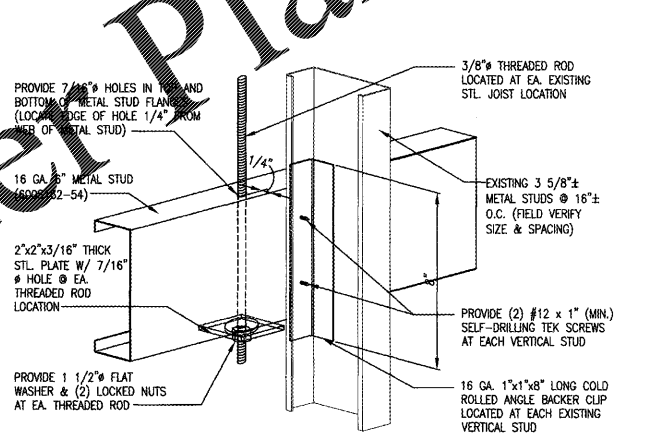
DETAIL 4  
N.T.S.



DETAIL 5  
N.T.S.



DETAIL 6  
N.T.S.



DETAIL 7  
N.T.S.

Order Plans @ WWW.EDLINE.COM