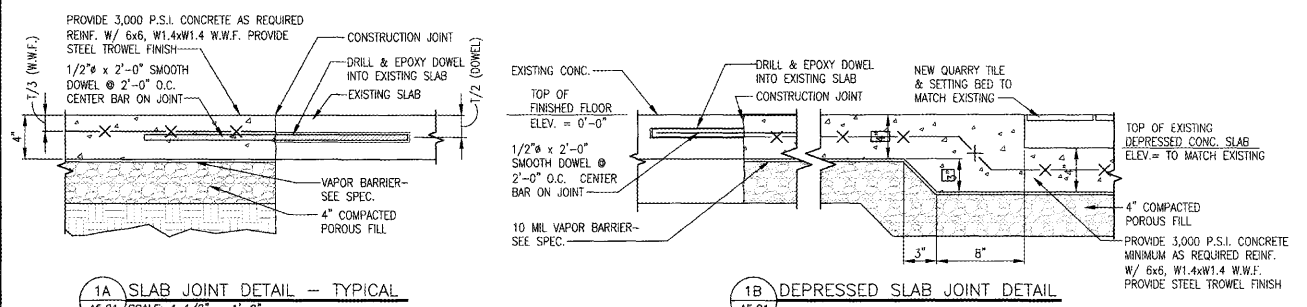


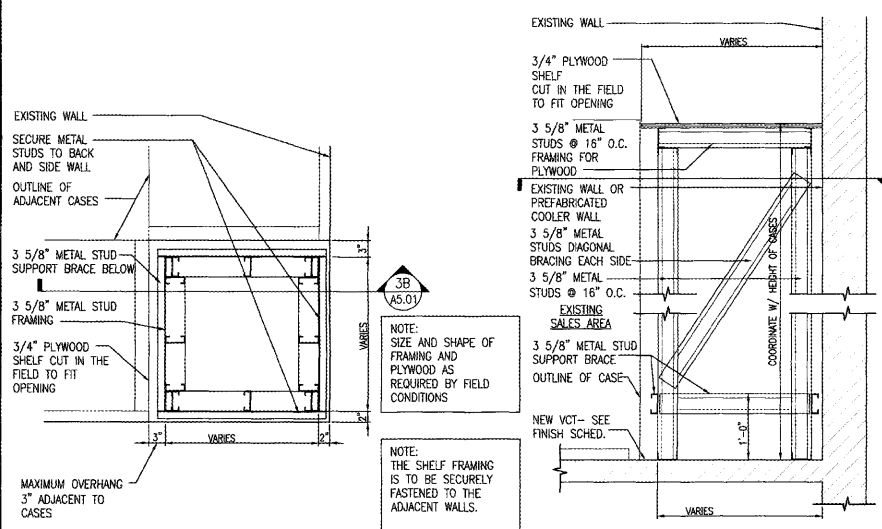
ARCHITECT'S SEAL:



1A SLAB JOINT DETAIL - TYPICAL
AS.01 SCALE: 1 1/2" = 1'-0"

1B DEPRESSED SLAB JOINT DETAIL
AS.01

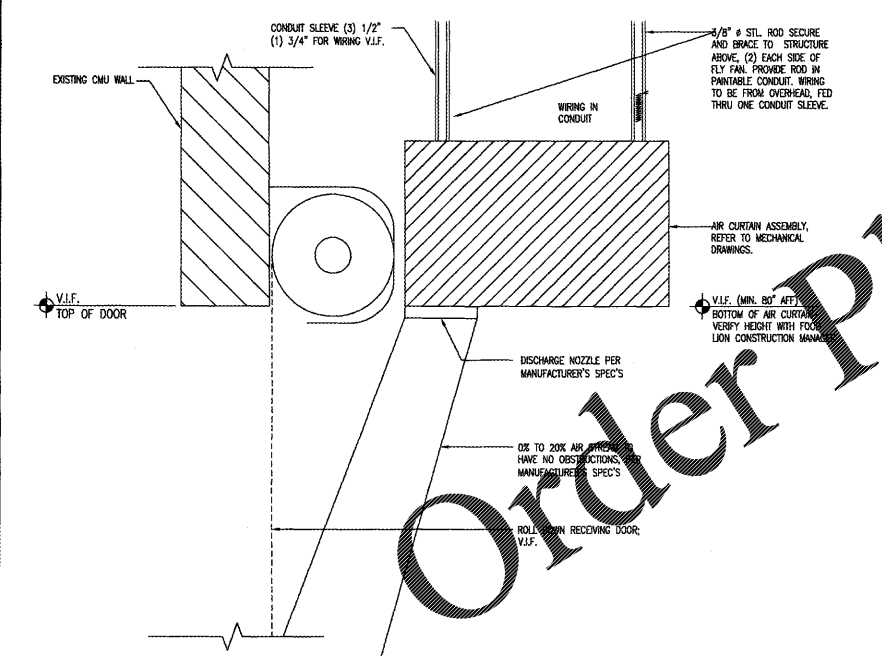
1 SLAB JOINT DETAILS
AS.01 SCALE: 1 1/2" = 1'-0"



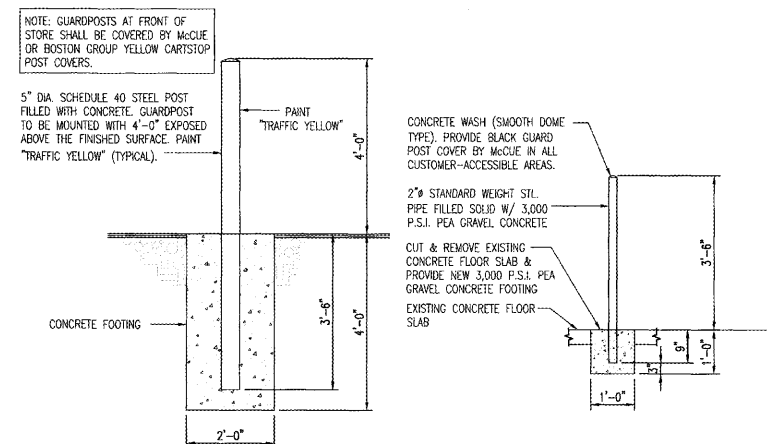
3A PLAN VIEW
AS.01

3B CROSS SECTION
AS.01

3 CAPPED VOID BY G.C.
AS.01 SCALE: 3/4" = 1'-0"



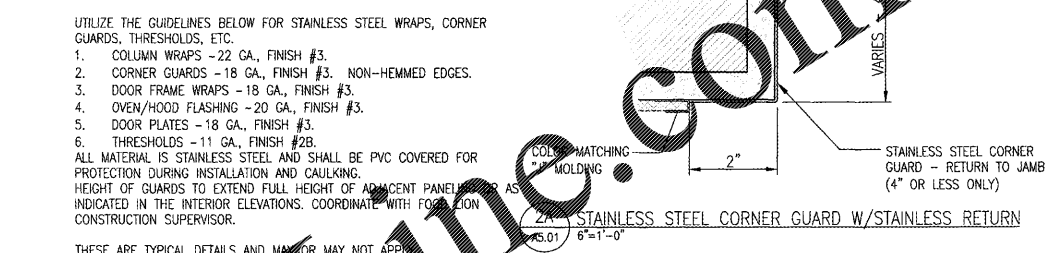
5 AIR CURTAIN SUPPORT DETAIL
AS.01 SCALE: 3" = 1'-0"



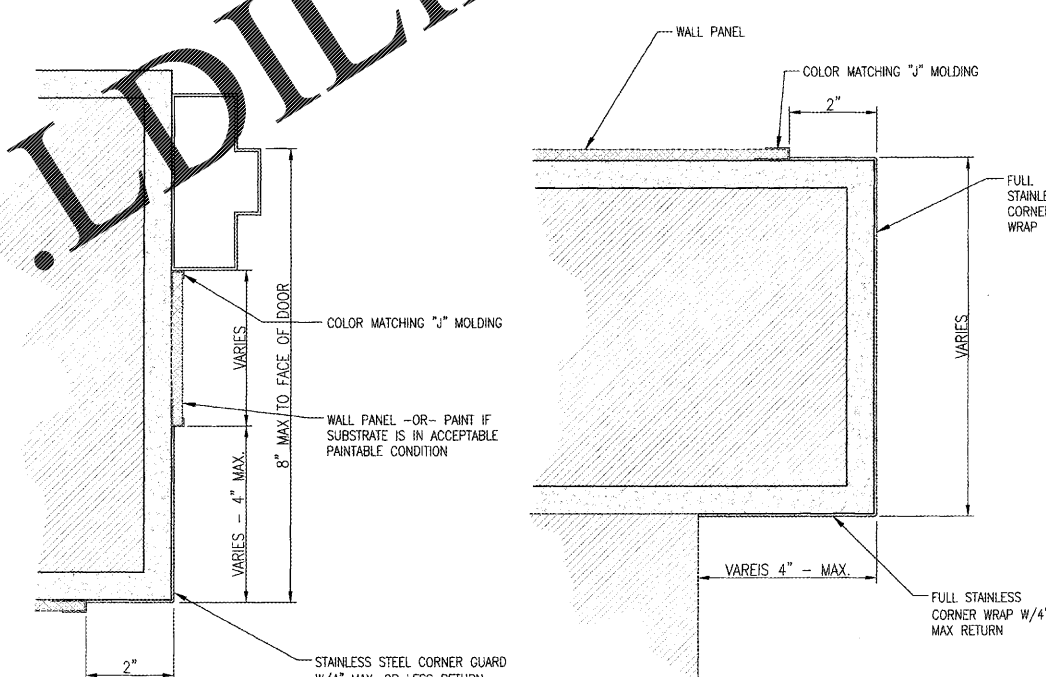
4A EXTERIOR GUARDPOST DETAIL
AS.01

4B INTERIOR GUARD POST DETAIL
AS.01

4 GUARDPOST DETAIL
AS.01 SCALE: 1/2" = 1'-0"

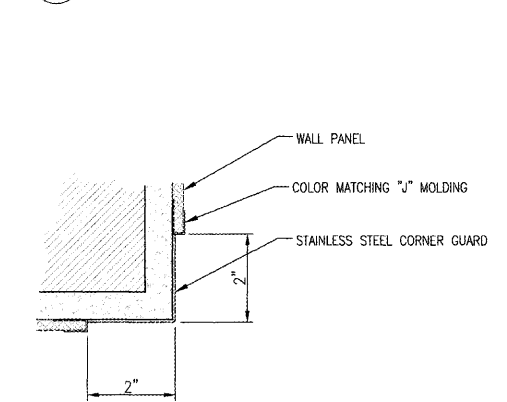


2A STAINLESS STEEL CORNER GUARD W/STAINLESS RETURN
AS.01 6" = 1'-0"

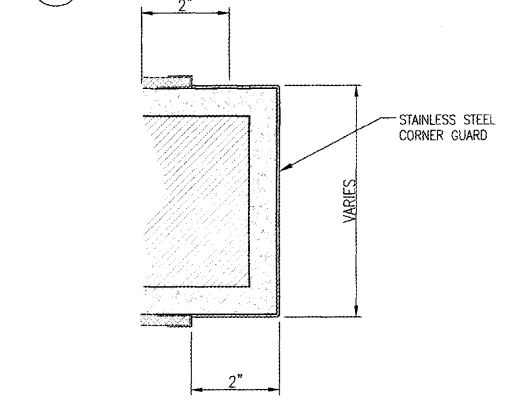


2B STAINLESS STEEL CORNER GUARD W/PANEL RETURN
AS.01 6" = 1'-0"

2C STAINLESS STEEL FULL WRAP W/STAINLESS RETURN
AS.01 6" = 1'-0"



2D STANDARD STAINLESS STEEL CORNER GUARD
AS.01 6" = 1'-0"



2E STANDARD STAINLESS STEEL FULL WRAP
AS.01 6" = 1'-0"

2 TYPICAL S.S. GUARD DETAILS
AS.01 SCALE: 6" = 1'-0"

UTILIZE THE GUIDELINES BELOW FOR STAINLESS STEEL WRAPS, CORNER GUARDS, THRESHOLDS, ETC.
1. COLUMN WRAPS - 22 GA., FINISH #3.
2. CORNER GUARDS - 18 GA., FINISH #3. NON-HEMMED EDGES.
3. DOOR FRAME WRAPS - 18 GA., FINISH #3.
4. OVEN/HOOD FLASHING - 20 GA., FINISH #3.
5. DOOR PLATES - 18 GA., FINISH #3.
6. THRESHOLDS - 11 GA., FINISH #2.
ALL MATERIAL IS STAINLESS STEEL AND SHALL BE PVC COVERED FOR PROTECTION DURING INSTALLATION AND CAULKING.
HEIGHT OF GUARDS TO EXTEND FULL HEIGHT OF ADJACENT PANELS AS INDICATED IN THE INTERIOR ELEVATIONS. COORDINATE WITH FOOD LION CONSTRUCTION SUPERVISOR.
THESE ARE TYPICAL DETAILS AND MAJOR MAY NOT APPLY.

Order Plans @ WWW.LDILLINE.COM

ENGINEER'S SEAL:

REVISIONS
NO. DATE REMARKS

FOOD LION
2118 Executive Drive, Salisbury, NC 28145
Telephone: 781.833.8259
Food Lion is a DELHAIZE BRAND company.

FOOD LION
REMODEL
STORE #1208
13490 DUMFRIES RD
MANASSAS, VA 20112

PROJECT NO: 2019.0917
DATE: 2-13-20

18 OF 47
A5.01
MISCELLANEOUS DETAILS

CHECKED: JM DRAWN: EC

COPYRIGHT © 2020 INTERPLAN LLC. RESERVE ALL RIGHTS. RESTRICTING THESE DOCUMENTS TO BE ORIGINAL SET OR PURPOSE FOR WHICH THEY WERE PREPARED. REPRODUCTION, CHANGES OR ADDITIONS ARE PROHIBITED.