

EXPIRATION DATE:

COPYRIGHT NOTICE
THE DRAWINGS ARE THE
PROPERTY OF RIVER STREET
ARCHITECTURE LLC. ANY USE,
REUSE, REPRODUCTION, DISPLAY,
OR SALE OF THESE DRAWINGS
WITHOUT THE EXPRESS WRITTEN
CONSENT OF THE ARCHITECT IS
STRICTLY PROHIBITED.

river street
ARCHITECTURE
123 E 7th street, suite 400 chattanooga, tennessee 37402
P-423 634 0806 www.riverstreetarchitecture.com

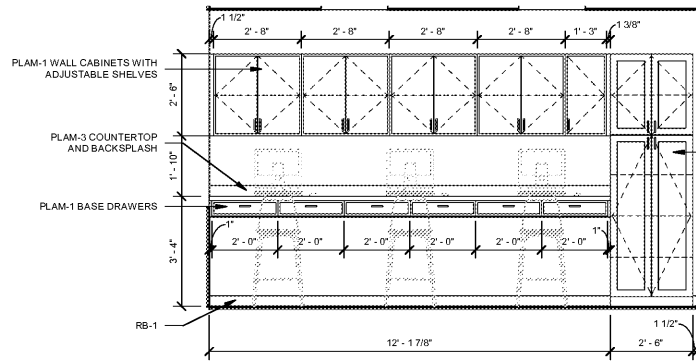
DRS. BRUCE & SMITH MEDICAL OFFICES
ORTHOPEDIC OFFICES
1ST FLOOR
RIVERFRONT PARKWAY
CHATTANOOGA, TN 37402

Revision Schedule

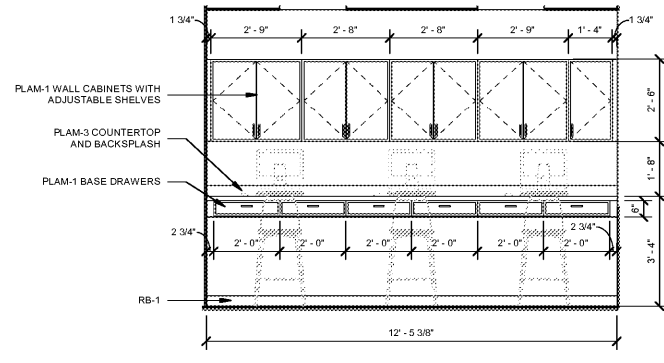
Rev. #	Rev. Date	Revision Description

Release Date: 05.10.2020
Project No.: 20021

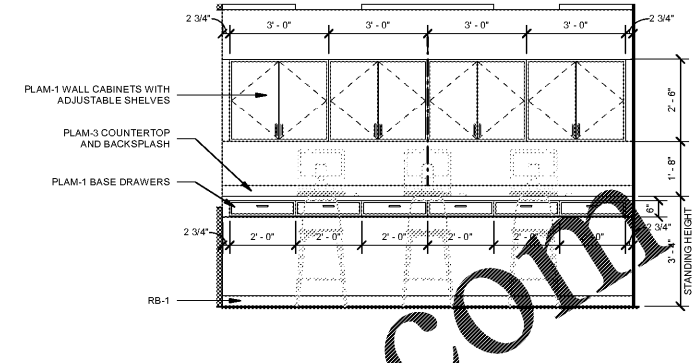
INTERIOR
ELEVATIONS



9 NURSE/ DOC 125
3/8" = 1'-0"

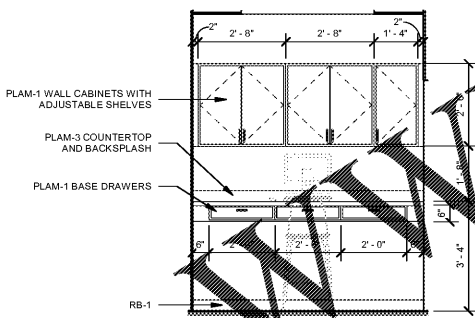


8 NURSE/ DOC 109
3/8" = 1'-0"

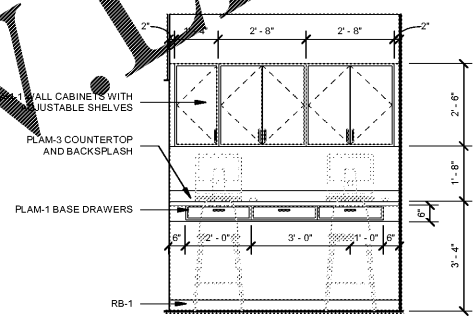


7 NURSE/ DOC 107
3/8" = 1'-0"

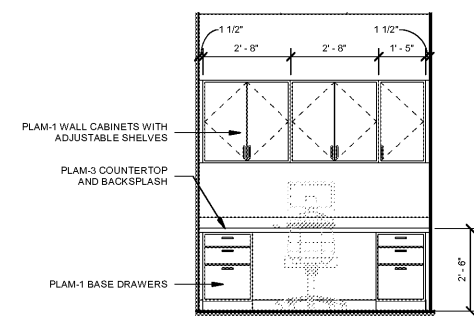
- GENERAL CASEWORK NOTES:**
- WHERE POWERDATA OCCUR AT KNEE SPACE, LOCATE AT STANDARD HEIGHT AND PROVIDE GROUNDING.
 - WHERE POWERDATA OCCUR ABOVE CABINET, MOUNT 8" ABOVE TOP OF BACKSPLASH TO CENTERLINE.
 - REVIEW ELECTRICAL AND AFTER FIXES INSTALLED BEFORE PRODUCT IS INSTALLED.
 - PROVIDE SOCKETS AS REQUIRED AT ALL FREE SPACES. SOCKETS TO BE SPAN BRACE (SB-21X24L).



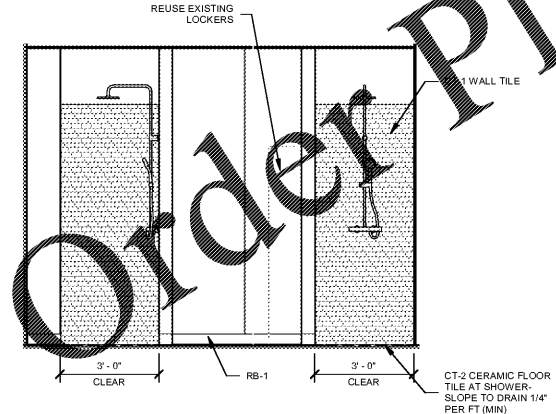
6 NURSE/ DOC 142 ELEV2
3/8" = 1'-0"



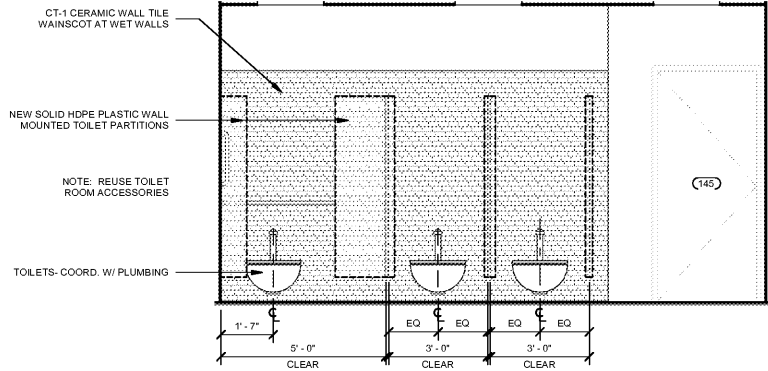
5 NURSE/ DOC 142 ELEV1
3/8" = 1'-0"



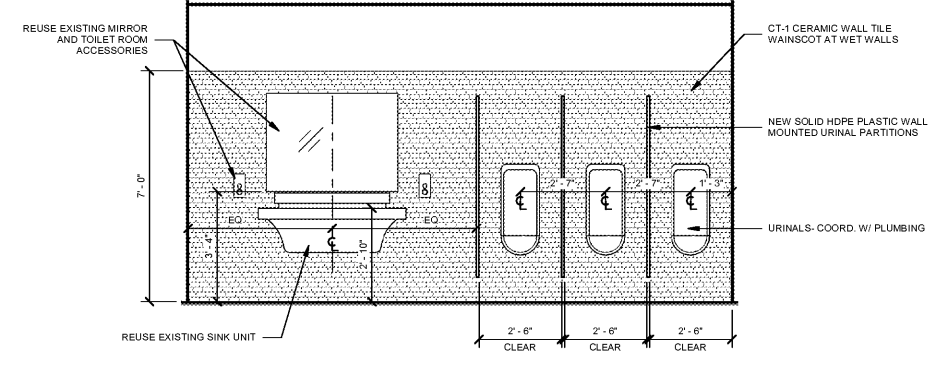
4 PT OFFICE 152 ELEV
3/8" = 1'-0"



3 SHOWERS 144 ELEV
3/8" = 1'-0"



2 MENS 145 ELEV2
3/8" = 1'-0"



1 MENS 145 ELEV1
3/8" = 1'-0"