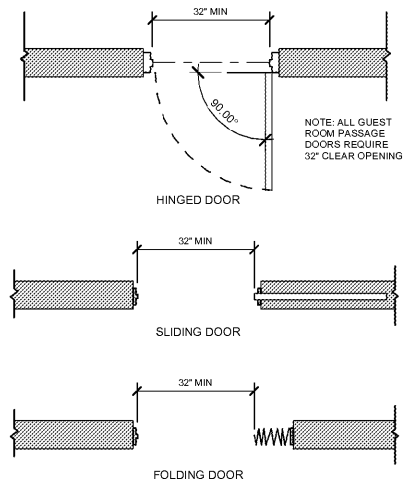


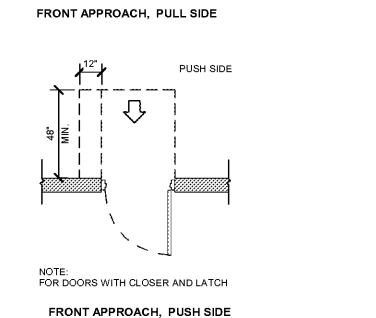
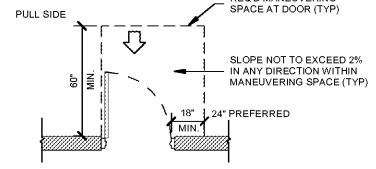
**NOTES:**

- CHARACTERS SHALL BE 48" MIN AND 60" MAX ABOVE THE FINISH FLOOR MEASURED TO THE BASELINE OF THE CHARACTERS.
- WHERE A SIGN CONTAINING TACTILE CHARACTERS IS PROVIDED AT A DOOR, THE SIGN SHALL BE ALONGSIDE THE DOOR ON THE LATCH SIDE. WHERE A TACTILE SIGN IS PROVIDED AT DOUBLE DOORS, THE SIGN SHALL BE TO THE RIGHT OF THE RIGHT-HAND DOOR, WHERE THERE IS NO WALL SPACE ON THE LATCH SIDE OF A SINGLE DOOR OR TO THE RIGHT SIDE OF A DOUBLE DOOR. SIGNS SHALL BE ON THE NEAREST ADJACENT WALL. SIGNS CONTAINING TACTILE CHARACTERS SHALL HAVE AN 18" MIN X 18" MIN SPACE ON THE FLOOR, CENTERED ON THE SIGN, BEYOND THE ARC OF ANY DOOR SWING BETWEEN THE CLOSED POSITION AND 45 DEGREE OPEN POSITION.
- DOOR-MOUNTED SIGNS SHALL BE PERMITTED ON THE PUSH SIDE OF DOORS WITH CLOSERS AND WITHOUT HOLD-OPEN DEVICES.
- REFER TO SECTION 703 OF THE 2010 ADA STANDARDS FOR REQUIREMENTS OF TACTILE CHARACTERS, VISUAL CHARACTERS, AND PICTOGRAMS.



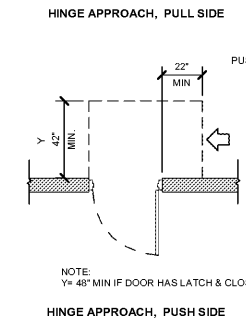
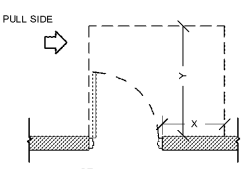
**NOTE:**

- OPENINGS MORE THAN 24" DEEP SHALL PROVIDE A CLEAR OPENING OF 30" MIN
- THERE SHALL BE NO PROJECTIONS INTO THE REQUIRED CLEAR OPENING WIDTH LOWER THAN 34" ABOVE THE FINISH FLOOR OR GROUND. PROJECTIONS INTO THE CLEAR OPENING WIDTH BETWEEN 34" AND 80" ABOVE THE FINISH FLOOR OR GROUND SHALL NOT EXCEED 4".



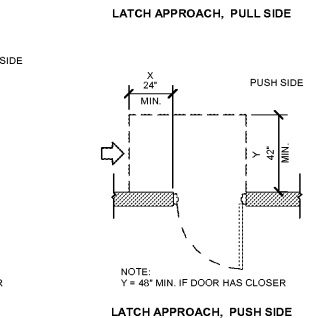
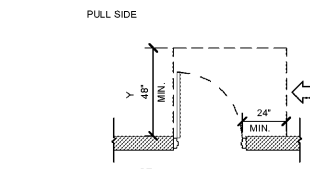
**NOTES:**

- MANEUVERING CLEARANCES FOR FORWARD APPROACH SHALL BE PROVIDED WHEN ANY OBSTRUCTION WITHIN 18" OF THE LATCH SIDE OF A DOORWAY PROJECTS MORE THAN 8" BEYOND THE FACE OF THE DOOR, MEASURED PERPENDICULAR TO THE FACE OF THE DOOR OR GATE. SEE DETAIL 4/ADA2.0
- THE FLOOR OR GROUND SURFACE WITHIN THE REQUIRED MANEUVERING CLEARANCES SHALL SLOPE NO MORE THAN 1:48 (2%) AND CHANGES IN LEVEL WITHIN THE AREA ARE NOT PERMITTED.



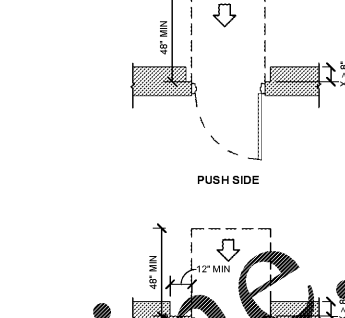
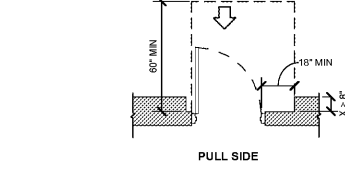
**NOTE:**

- Y = 48" MIN IF DOOR HAS LATCH & CLOSER



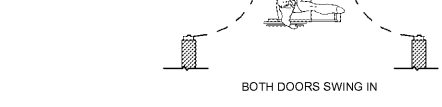
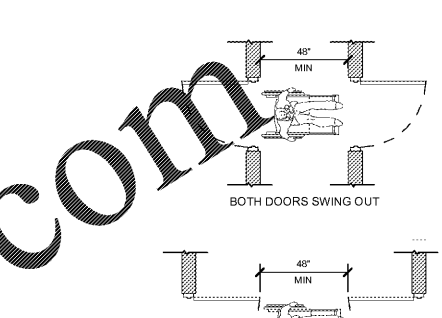
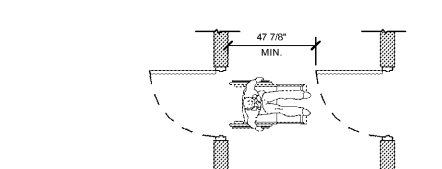
**NOTE:**

- Y = 48" MIN IF DOOR HAS CLOSER



**NOTE:**

- Y = 48" MIN IF DOOR HAS CLOSER



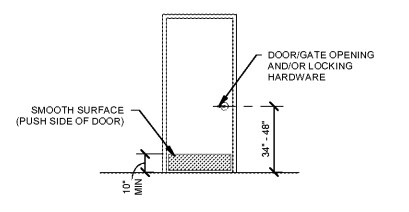
1 ACCESSIBLE ROOM IDENTIFICATION SIGNAGE DETAIL  
1/4" = 1'-0"

2 CLEAR OPENING AT ACCESSIBLE DOORS/GATES  
1/2" = 1'-0"

3 REQUIRED DOOR MANEUVERING CLEARANCES AT ACCESSIBLE DOORS/GATES  
1/4" = 1'-0"

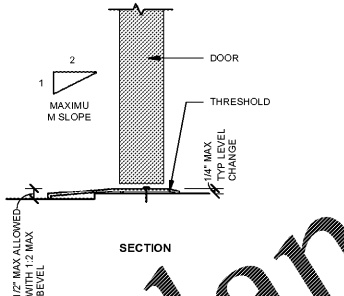
4 MANEUVERING CLEARANCES AT RECESSED DOORS  
1/4" = 1'-0"

5 DOORS IN A SERIES  
1/4" = 1'-0"

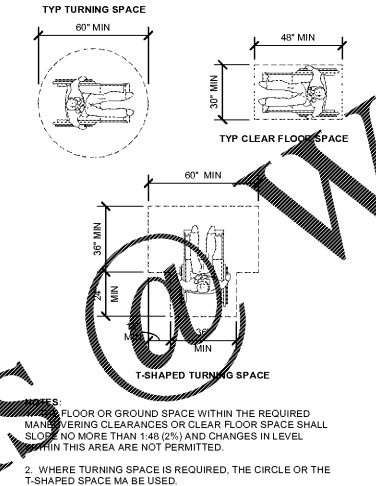


**NOTES:**

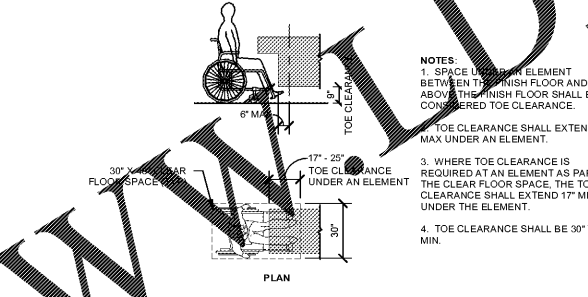
- HANDLES, PULLS, LATCHES, LOCKS, AND OTHER OPERABLE PARTS ON ACCESSIBLE DOORS SHALL HAVE A SHAPE THAT IS EASY TO GRIP WITH ONE HAND AND DOES NOT REQUIRE TIGHT GRASPING, PINCHING, OR TWISTING OF THE WRIST TO OPERATE. SUCH HARDWARE SHALL BE 34" MIN AND 48" MAX ABOVE FINISH FLOOR. WHERE SLIDING DOORS ARE IN THE FULLY OPEN POSITION, OPERATING HARDWARE SHALL BE EXPOSED AND USABLE FROM BOTH SIDES.
- DOOR CLOSERS SHALL BE ADJUSTED SO THAT FROM AN OPEN POSITION OF 90 DEGREES, THE TIME REQUIRED TO MOVE THE DOOR TO AN OPEN POSITION OF 12 DEGREES SHALL BE 5 SECONDS MIN.
- DOOR SPRING HINGES SHALL BE ADJUSTED SO THAT FROM THE OPEN POSITION OF 70 DEGREES, THE DOOR SHALL MOVE TO THE CLOSED POSITION IN 1.5 SECONDS MIN MEASURED UNDER AMBIENT CONDITIONS.
- FIRE DOORS SHALL HAVE THE MINIMUM OPENING FORCE ALLOWED BY THE APPROPRIATE ADMINISTRATIVE AUTHORITY. FOR MAXIMUM FORCE FOR PUSHING OPEN OR PULLING OPEN DOORS OTHER THAN FIRE DOORS SHALL BE AS FOLLOWS:
  - INTERIOR HINGED DOOR: 5.0 POUNDS
  - SLIDING OR FOLDING DOORS: 5.0 POUNDS
 THESE FORCES DO NOT APPLY TO THE FORCE REQUIRED TO RETRACT BOLTS OR DISENGAGE OTHER DEVICES THAT HOLD THE DOOR IN A CLOSED POSITION.
- DOOR SURFACES WITHIN 10" OF THE FLOOR OR GROUND MEASURED VERTICALLY SHALL BE A SMOOTH SURFACE ON THE PUSH SIDE EXTENDING THE FULL WIDTH OF THE DOOR. PARTS CREATING HORIZONTAL OR VERTICAL JOINTS IN SUCH SURFACE SHALL BE WITHIN 1/16" OF THE SAME PLANE AS THE OTHER. CAVITIES CREATED BY ADDED KICK PLATES SHALL BE CAPPED.



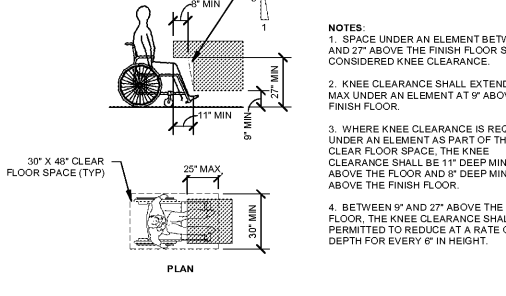
7 ACCESSIBLE DOOR THRESHOLD DETAIL  
3" = 1'-0"



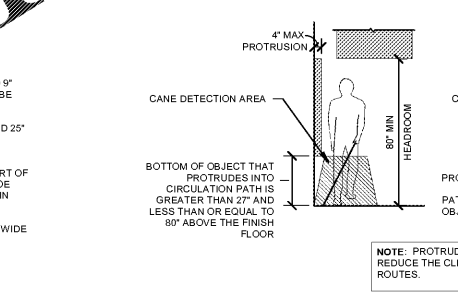
8 CLEAR FLOOR AND TURNING SPACE  
1/4" = 1'-0"



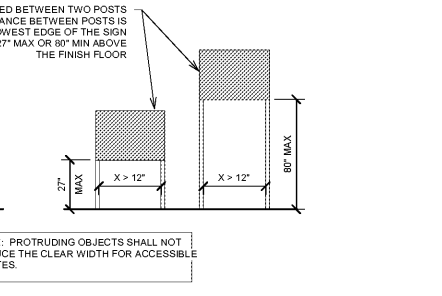
9 TOE CLEARANCE DETAIL  
1/4" = 1'-0"



10 KNEE CLEARANCE DETAIL  
1/4" = 1'-0"



11 PROTRUDING OBJECTS DETAIL  
1/4" = 1'-0"



12 POST MOUNTED PROTRUDING OBJECTS DETAIL  
1/4" = 1'-0"

6 ACCESSIBLE DOOR & GATE HARDWARE DETAIL  
1/4" = 1'-0"

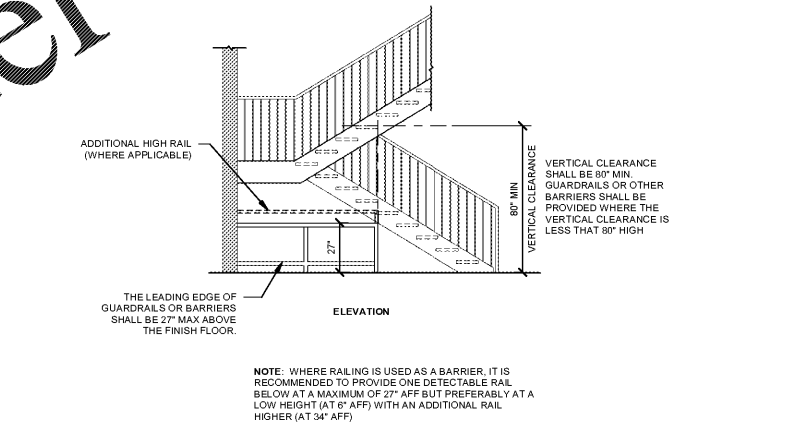
7 ACCESSIBLE DOOR THRESHOLD DETAIL  
3" = 1'-0"

8 CLEAR FLOOR AND TURNING SPACE  
1/4" = 1'-0"

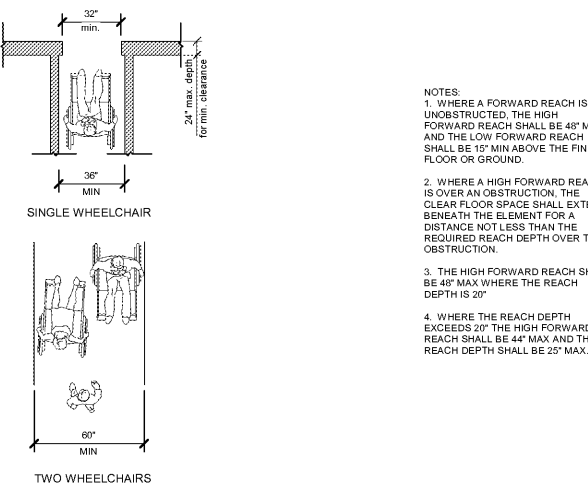
10 KNEE CLEARANCE DETAIL  
1/4" = 1'-0"

11 PROTRUDING OBJECTS DETAIL  
1/4" = 1'-0"

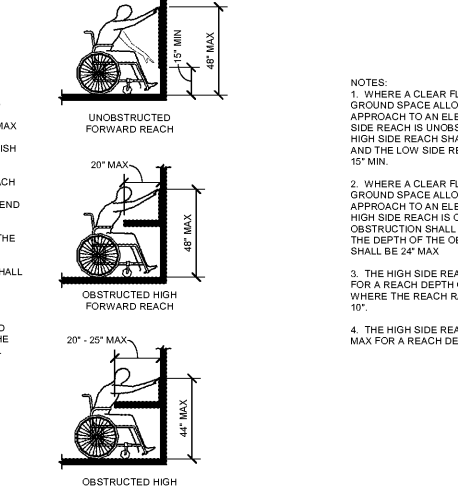
12 POST MOUNTED PROTRUDING OBJECTS DETAIL  
1/4" = 1'-0"



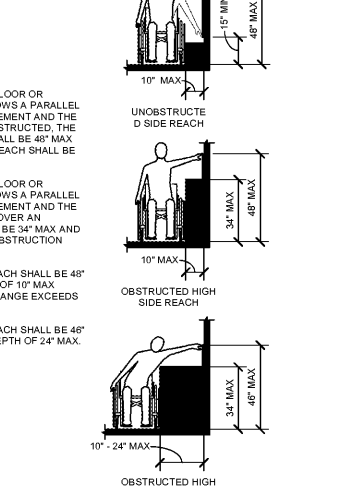
13 VERTICAL CLEARANCE DETAIL  
1/4" = 1'-0"



14 MIN CLEAR WIDTH FOR WHEELCHAIRS  
1/4" = 1'-0"



15 FORWARD REACH DETAIL  
1/4" = 1'-0"



16 SIDE REACH DETAIL  
1/4" = 1'-0"

Order Plans

PRICING SET  
NOT FOR  
CONSTRUCTION

EXPIRATION DATE:  
COPYRIGHT NOTICE  
THE DRAWINGS ARE THE  
PROPERTY OF RIVER STREET  
ARCHITECTURE LLC. ANY USE,  
REUSE, REPRODUCTION, DISPLAY  
OR SALE OF THESE DRAWINGS  
WITHOUT THE EXPRESS WRITTEN  
CONSENT OF THE ARCHITECT IS  
STRICTLY PROHIBITED.

river street  
ARCHITECTURE  
123 E 7th street, suite 400 chattanooga, tennessee 37402  
p-423 634 0806 www.riverstreetarchitecture.com

DRS. BRUCE & SMITH MEDICAL OFFICES  
ORTHOPEDIC OFFICES  
1ST FLOOR  
RIVERFRONT PARKWAY  
CHATTANOOGA, TN 37402

Revision Schedule		
Rev. #	Rev. Date	Revision Description

Release Date: 05.10.2020  
Project No.: 20021  
TYPICAL ADA  
GUIDELINES

ADA0.1

5/11/2020 1:59:25 PM