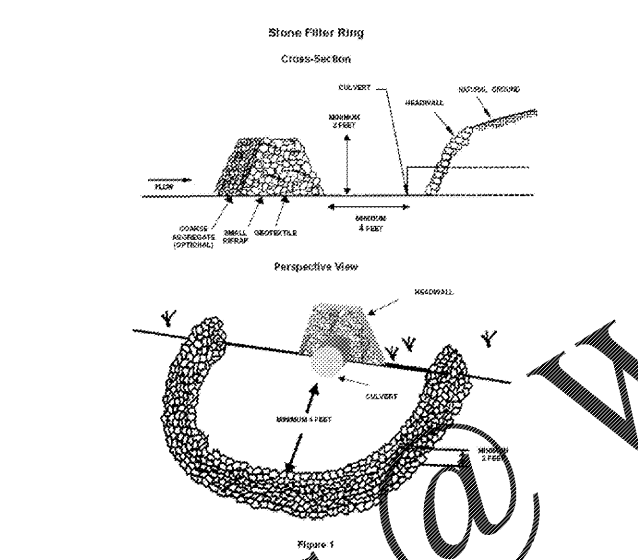
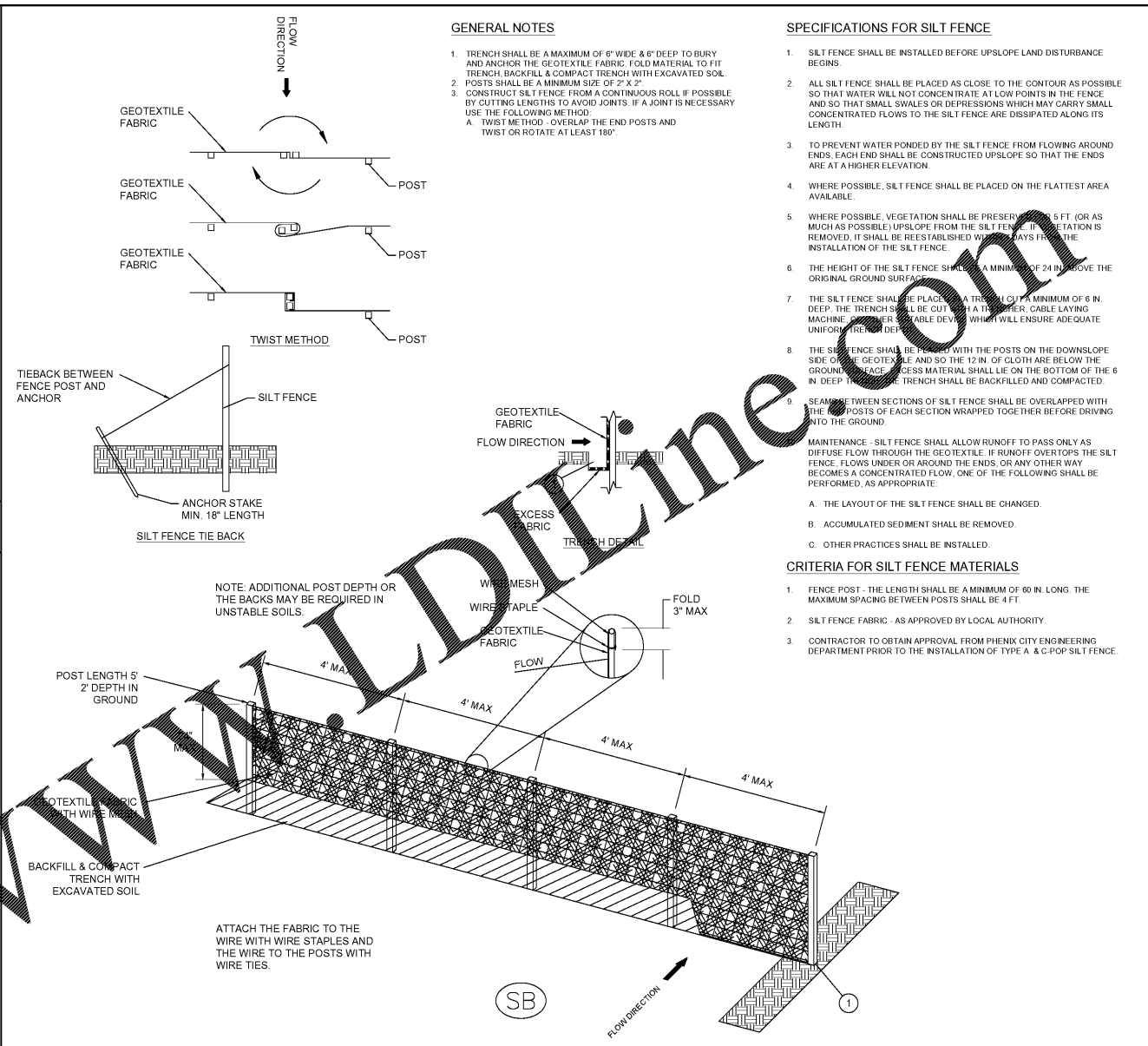


**FUEL/CHEMICAL TEMPORARY STORAGE**

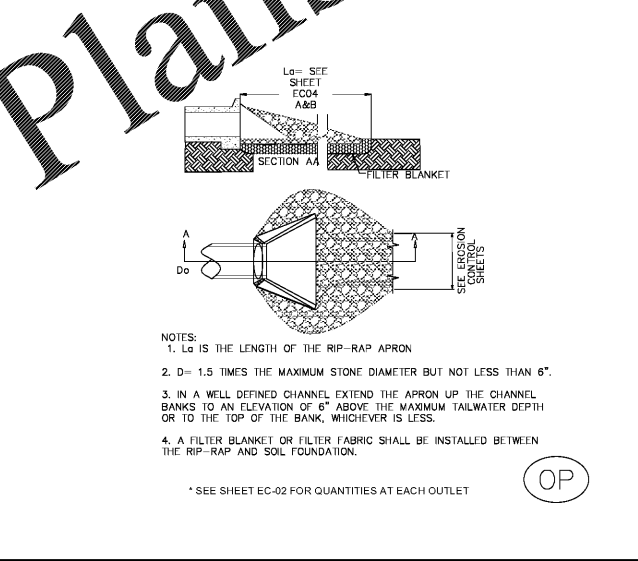


**FR FILTER RING**

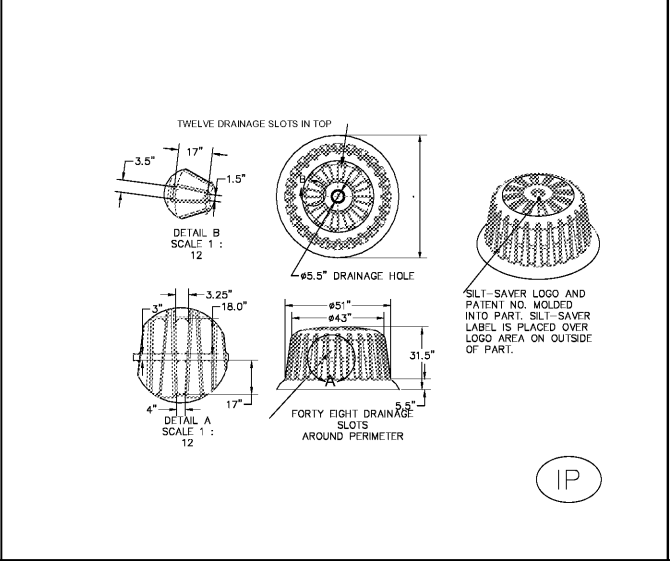


**SILT FENCE**

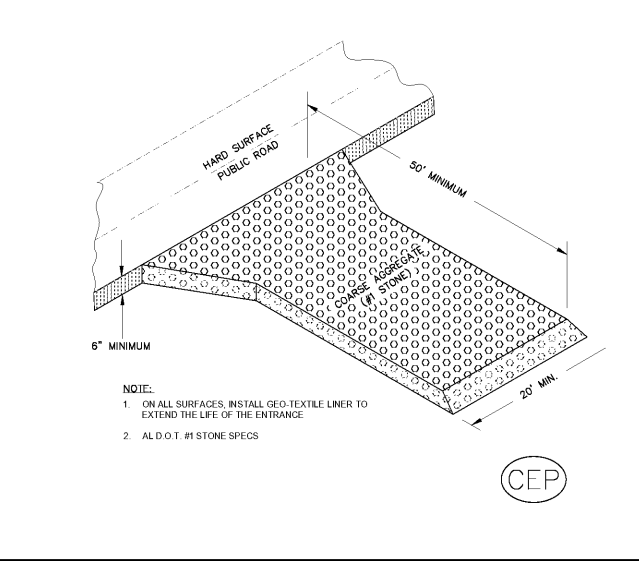
**RT RETROFITTING**



**OP RIP-RAP OUTLET PROTECTION**



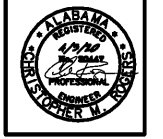
**IP SILT-SAVER ROUND FRAME P/N SS-100**



**CEP CONSTRUCTION ENTRANCE**

Order Plans

Hecht Burdeshaw Architects, Inc.  
3120 Piedmont Road, Suite D • Phenix City, AL 36861-7133 • 334-824-8448/phenixhse.com • 334-824-8400 fax



CENTRAL HIGH SCHOOL CTE ANNEX  
PHENIX CITY, ALABAMA

REVISION	DATE

SHEET TITLE: EC MISC DETAILS

DATE: 4/3/20 SHEET: 19-0133

EC04