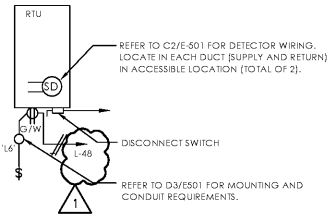


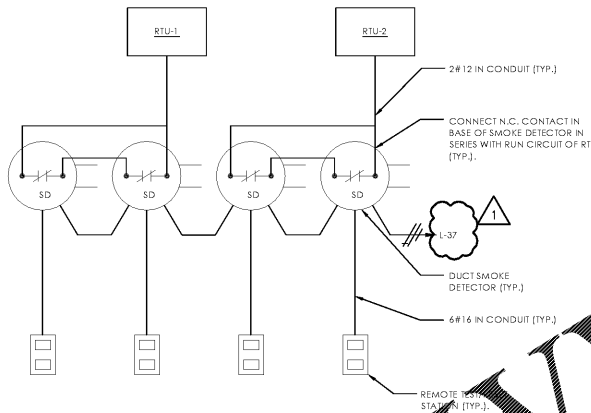
NOTES:
1. REFER TO DETAIL C3/E-501, C2/E-501 FOR WIRING.

D3 RTU Service Light Mounting Detail
SCALE: N.T.S.



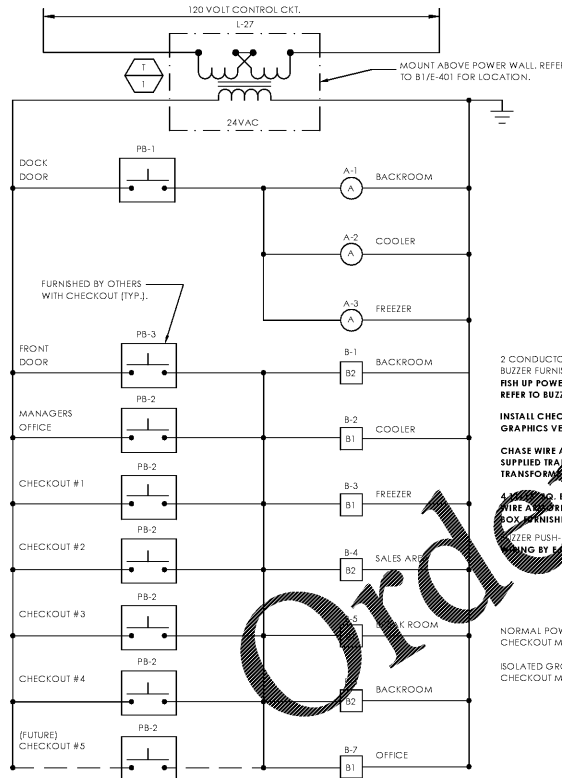
NOTES:
1. COORDINATE LOCATION OF DISCONNECT WITH MECHANICAL CONTRACTOR. ROUTE CONDUIT THRU ROOF. SEAL ROOF PENETRATION WATER TIGHT USING METHOD APPROVED BY ROOFING MANUFACTURER. DO NOT PENETRATE DRAIN PAN WITH CONDUITS.
2. REFER TO SHEET E-201 FOR LOCATION.

C3 RTU-1 & RTU-2 Detail
SCALE: N.T.S.



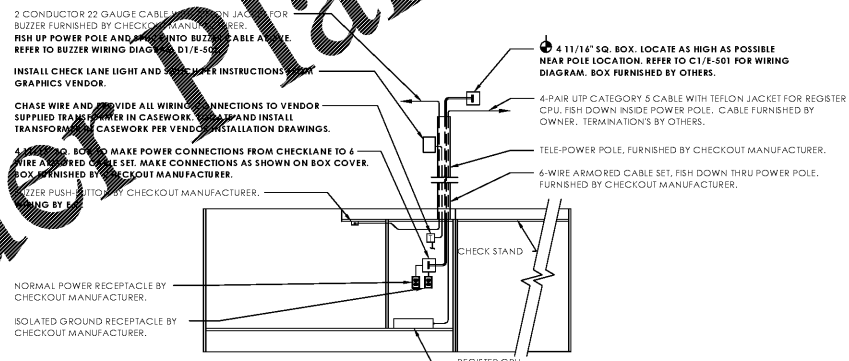
NOTES:
1. REFER TO DETAIL C3/E-501 FOR LOCATION OF SMOKE DETECTORS.
2. REFER TO DETAIL B1/E-401 FOR LOCATION OF REMOTE TEST STATIONS.
3. SMOKE DETECTORS FURNISHED AND INSTALLED BY M.C. ALL WIRING BY E.C.

C2 Duct Smoke Detector Wiring Detail
SCALE:



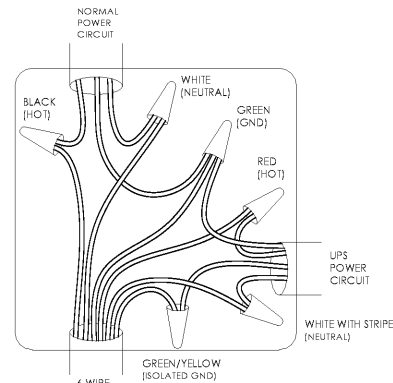
NOTES:
1. ALL LOW VOLTAGE CONDUCTORS SHALL BE MINIMUM 18 GAUGE AND U.L. LISTED FOR USE IN AIR HANDLING PLUMBING. WIRING SHALL BE IN CONDUIT WHERE EXPOSED IN BACK ROOM AND SALES AREA.

D1 Bell and Buzzer Wiring Diagram
SCALE: N.T.S.



NOTES:
1. **BOLD PRINT TEXT** IN DETAIL INDICATES WORK BY THE ELECTRICAL CONTRACTOR. LIGHT PRINT TEXT IN DETAIL INDICATES WORK BY OTHERS.
2. **ALL CONDUITS TO CHECKOUTS SHALL BE RUN AS HIGH AS POSSIBLE. COMBINE POWER CIRCUITS IN COMMON CONDUIT. PROVIDE DEDICATED 2\"/>**

C1 Checkout Wiring Detail
SCALE: N.T.S.



B1 Checkout Wiring Diagram
SCALE: N.T.S.

WWW.LDILine.com



American Institute of Architects

310 MILLS AVE. GREENVILLE, SC 29605
864.242.9881
plans@narramore.net

© 2019 NARRAMORE ASSOCIATES, INC.
COPYRIGHT PROTECTED BY FEDERAL LAW



1597 DRY POND RD.
JEFFERSON, GA 30549
706.387.7722
FAX: 706.387.7701

ALDI FOOD STORE # 54
2618 Pleasant Hill Road
Duluth, GA 30096

REVISIONS
03/03/20

PROJECT DATA
V1.07 84x170 LW Expansion
PROJECT NUMBER
19422
ISSUE DATE
12-10-19

ALDI FOOD STORE #54
Duluth, GA

DEVITA
ATLANTA • CHARLOTTE • GREENVILLE • RICHMOND
877.4.DEVITA • corp@devitainc.com
Devita & Associates, Inc. Project : 19102-12
Drawn By: SMD Checked By: TFW

E-501

ELECTRICAL DETAILS