

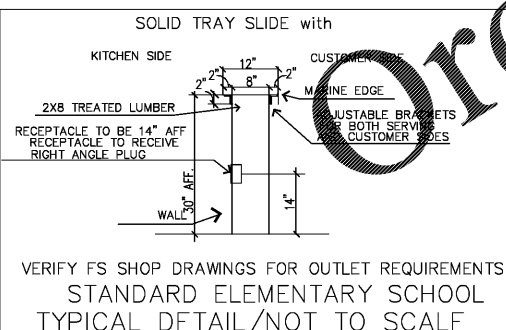
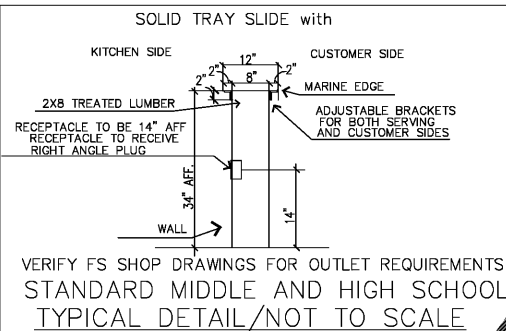
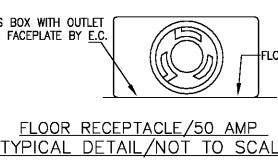
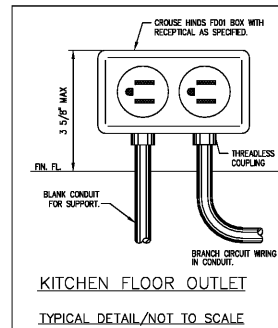
## ELECTRICAL

## PLUMBING

### LEGEND - ELECTRICAL CONNECTIONS

- ⊕ DUPLEX RECEPT., 20-AMP, 120-VOLT, GROUND TYPE, HORIZONTAL/VERTICAL MOUNT
- ⊕ SIMPLEX RECEPT., 20-AMP, 120-VOLT, GROUND TYPE, HORIZONTAL/VERTICAL MOUNT
- ⊕ SPECIAL PURPOSE OUTLET, 120-VOLT, GROUND TYPE, HORIZONTAL/VERTICAL MOUNT
- ⊕ SPECIAL PURPOSE OUTLET, 208/240-VOLT AS INDICATED, GROUND TYPE, HORIZONTAL/VERTICAL MOUNT
- ⊕ JUNCTION BOX
- ⊕ ELECTRICAL CONDUIT, STUB AS INDICATED FOR DIRECT CONNECTION
- ⊕ FLOOR/CEILING RECEPTACLE AS INDICATED
- FIELD WIRING, EXPOSED RIGID WATERTIGHT CONDUIT
- FIELD WIRING, CONCEALED IN WALL, FLOOR, OR CEILING

### TYPICAL DETAIL/NOT TO SCALE



### GENERAL NOTES

- DIMENSIONS INDICATED ARE TO BE VERIFIED AND ADJUSTED AS REQUIRED BY THE EQUIPMENT OR FIELD CONDITIONS. DIMENSIONS SHOWN DO NOT ALLOW FOR OBSTRUCTIONS ON WALLS AT FIXTURE HEIGHTS. ALL DIMENSIONS ARE FROM FINISHED WALL AND FLOOR LINES AND ARE AS ACCURATE AS CAN BE DETERMINED AT THIS TIME. NO RESPONSIBILITY IS ACCEPTED OR IMPLIED FOR ANY DISCREPANCIES BETWEEN DIMENSIONS SHOWN AND ACTUAL FINISHED DIMENSIONS, NOR FOR ANY VARIATIONS IN SERVICE REQUIREMENTS ON FIXTURES DELIVERED TO THE JOBSITE.
- PLUMBING AND ELECTRICAL CONTRACTORS TO FURNISH ALL LABOR AND MATERIALS TO MAKE FINAL CONNECTIONS FROM SERVICE STUBS TO OUTLETS ON FIXTURES, INCLUDING ALL VALVES, FAUCETS, TRAPS, DISCONNECTS, CONTROL PANELS, CORDS, PLUGS, ETC.
- UTILITIES SHOWN SUPPLY FOOD SERVICE ITEMS ONLY. ARCHITECT TO PROVIDE FOR ALL OTHER MECHANICAL REQUIREMENTS, CONVENIENCE OUTLETS, HAND SINKS, LIGHTS, ETC.

### ELECTRICAL CONTRACTOR TO PROVIDE THE FOLLOWING:

- VERIFY ALL ELECTRICAL CHARACTERISTICS WITH ARCHITECT'S ENGINEERING DRAWINGS.
- DIMENSIONS INDICATED ARE TO BE VERIFIED BY THE CONTRACTOR AND ADJUSTED AS REQUIRED BY THE FOOD SERVICE EQUIPMENT AND/OR FIELD CONDITIONS.
- REFER TO ARCHITECT'S ENGINEERING DRAWINGS AND/OR SPECIFICATION (DIVISION 16) FOR THE FOLLOWING:
  - FIELD INSTALLATION OF ACCESSORIES & FITTINGS PROVIDED LOOSE WITH THE FOOD SERVICE EQUIPMENT.
  - SEE WALK-IN NOTES FOR ELECTRICAL REQUIREMENTS.
  - CONDUIT AND (2) WIRES FROM EXHAUST HOOD FIRE EXTINGUISHING SYSTEM TO MAIN ELECTRICAL PANEL SHUNT TRIP FOR POWER SHUT-OFF OF ALL ELECTRICAL EQUIPMENT UNDER HOOD.
  - CONDUIT AND WIRING FROM DISPOSER CONTROL TO TIME DELAY RELAY, MAGNETIC STARTER, MOTOR AND SOLENOID VALVE, ALL BELOW DISHABLE OR COUNTER TOP.
  - WALL SWITCHES, CONDUIT AND WIRING FOR EXHAUST FAN, SUPPLY AIR FAN AND EXHAUST HOOD LIGHT FIXTURES.
  - ALL CONDUIT, WATERPROOF SINGLE RECEPTACLES AND WIRING FOR WALK-IN COOLER/FREEZER LIGHTS, DOOR HEATERS, BLOWER COILS AND CONDENSATE LINE HEAT TAPES. LIGHTS IN WALK-IN UNITS ARE FURNISHED LOOSE AND MUST BE MOUNTED AND WIRED BY ELECTRICAL CONTRACTOR.

### ELECTRICAL NOTES

- THE FOLLOWING RELATED WORK IS NOT INCLUDED WITHIN SECTION 11400 FOODSERVICE EQUIPMENT AND IS TO BE COORDINATED WITH DIVISION 16 - ELECTRICAL.
- ROUGH-IN AND FINAL CONNECTIONS OF ELECTRICAL SYSTEMS TO FOODSERVICE EQUIPMENT.
  - COMMUNICATION SYSTEMS, CABLE LOCKS IN FOODSERVICE AREAS.
  - CONDUIT AND WIRING FROM DISPOSER SWITCH TO TIME DELAY RELAY, MAGNETIC STARTER, MOTOR AND SOLENOID VALVE, ALL BELOW COUNTER TOP.
  - WALL SWITCH FOR LIGHT FIXTURES IN EXHAUST HOODS.
  - WALL SWITCH FOR FAN MOTOR OR EXHAUST SYSTEM.
  - WIRING TO AND INSTALLATION OF ALL ACCESSORIES FURNISHED LOOSE WITH FOODSERVICE EQUIPMENT.
  - EMERGENCY LIGHTING AND/OR POWER SYSTEMS.
  - ALL DISCONNECT SWITCHES AS REQUIRED. (NEMA 4, WATERPROOF SUGGESTED.)

### ELECTRICAL NOTES

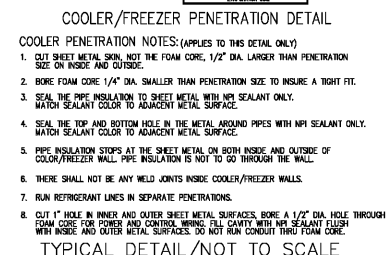
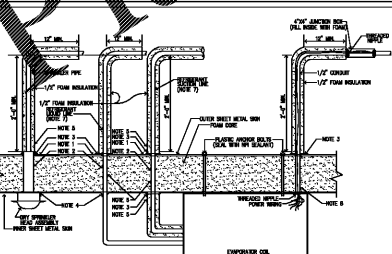
- ELECTRICAL CONTRACTOR IS TO VERIFY ENLARGED SCALE KITCHEN PLAN REQUIREMENTS.
- ELECTRICAL CONTRACTOR IS TO MAKE ALL EQUIPMENT OPERATIONAL ACCORDANCE WITH MANUFACTURER'S RECOMMENDATION.
- ELECTRICAL CONTRACTOR IS TO VERIFY WITH FOOD SERVICE CONTRACTOR'S SUBMITTALS TO ENSURE PROPER INSTALLATION.
- ELECTRICAL CONTRACTOR IS TO PROVIDE FIELD WIRING FROM WALK-IN CONDENSATOR TO WALK-IN EVAPORATOR.
- ELECTRICAL CONTRACTOR IS TO SEAL AND INSULATE ALL CONDENSATOR COILS AND FREEZER COMPARTMENTS TO PREVENT AIR CIRCULATION AND SUBSEQUENT CONDENSATION BUILD-UP WITHIN CONDUIT AND/OR EQUIPMENT.
- VERIFY ALL REQUIREMENTS FOR EXISTING EQUIPMENT.
- VERIFY REQUIREMENTS FOR ALL EQUIPMENT NOT SUPPLIED BY FOOD SERVICE CONTRACTOR.
- ALL 120 VOLT EQUIPMENT NOT SUPPLIED WITH CORD AND PLUG BY MANUFACTURER IS TO BE CONNECTED TO JB OR ELECTRICAL CONTRACTOR IS TO SUPPLY CORD AND PLUG.
- CONVENIENCE OUTLETS ARE NOT SHOWN.
- REQUIREMENTS UNDER HOOD ARE BASED ON CENTERLINE OF HOOD.
- ROUGH-IN WHERE EXPOSED PIPES AND CONDUITS ARE NECESSARY, THEY SHOULD BE MOUNTED 1 TO 2 INCHES OFF THE WALL AND 6 INCHES OFF THE FLOOR TO ALLOW FOR CLEANING.

### MECHANICAL NOTES

- VERIFY HOOD LOCATION.
- ALL DUCTWORK, FANS, CURBS, PENETRATIONS AND CONNECTIONS BEYOND VENTILATOR EXHAUST AND SUPPLY COLLAR SHALL BE SUPPLIED BY OTHERS.
- EXHAUST DUCTWORK MUST BE WATER-TIGHT AND GREASE-PROOF TO CONFORM TO ALL APPLICABLE CODES.
- CALCULATED DUCTWORK SYSTEM STATIC PRESSURE MUST BE ADDED TO EXHAUST AND SUPPLY OUTLET STATIC PRESSURE AT DUCT COLLAR TO DETERMINE TOTAL SYSTEM STATIC PRESSURE.
- FOOD SERVICE EQUIPMENT CONTRACTOR SHALL NOT BE RESPONSIBLE, OR LIABLE FOR IMPROPER FUNCTION ATTRIBUTABLE TO STATIC PRESSURE OR AIR VOLUME OTHER THAN THAT INDICATED.
- ELECTRICAL CONTRACTOR TO WIRE FROM SWITCH ON WALL TO "J" BOX ON HOOD FOR LIGHTS. ALL WIRING, CONDUIT, STARTERS, SWITCHES, ETC. FOR FANS TO BE PROVIDED BY ELECTRICAL CONTRACTOR. SWITCHES TO BE LOCATED AS SHOWN BY ENGINEER.
- SPECIAL NOTE: INSURE FIRE SUPPRESSION SYSTEM TO BE CONNECTED TO CORRESPONDING SHUNT TRIP BREAKERS FOR SHUT DOWN OF COOKING EQUIPMENT BELOW VENTILATOR DURING FIRE. IN ADDITION, THE SUPPRESSION SYSTEM SHALL BE REQUIRED TO BE INTERCONNECTED WITH MECHANICAL GAS SHUT OFF DURING FIRE. ACTUAL CONNECTION TO GAS VALVE AT ISLAND COOKING TO BE MADE INSIDE GAS VALVE HOUSING.

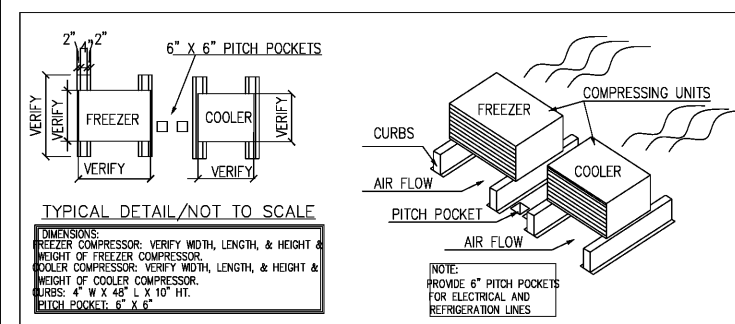
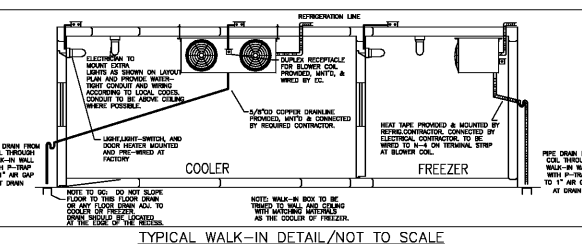
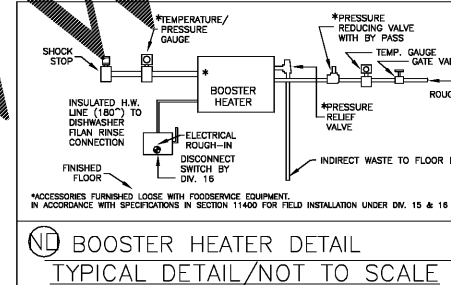
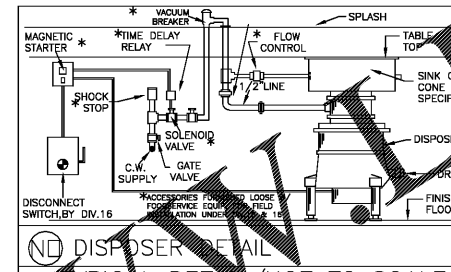
### WALK-IN NOTES

- ELECTRICAL CONTRACTOR TO BRING ELECTRICAL SERVICE IN FROM ABOVE WALK-IN AND CONNECT TO "J" BOX INSIDE WALK-IN.
- ELECTRICAL CONTRACTOR TO MOUNT EXTRA LIGHTS AS SHOWN ON LAYOUT PLAN AND PROVIDE WATERTIGHT CONDUIT AND WIRING ACCORDING TO LOCAL CODES. CONDUIT TO BE ABOVE CEILING OF WALK-IN WHERE POSSIBLE.
- FREEZER: ELECTRICAL CONTRACTOR TO PROVIDE CONDUIT AND (12) WIRES, (3) #10 (9) #12 & (1) GROUND. FROM CONDENSING UNIT AND TIME CLOCK TO BLOWER COIL IN WALK-IN FREEZER. WIRING TO TIMER BY ELECTRICAL CONTRACTOR.
- COOLER: ELECTRICAL CONTRACTOR TO PROVIDE MOUNT AND WIRE DUPLEX RECEPTACLE FOR BLOWER COIL ON WALK-IN COOLER. ELECTRICAL CONTRACTOR TO PROVIDE (2) #12 WIRES (1) RED (1) BLACK (1) WHITE (1) GREEN & (1) GROUND. FIELD NOTIFICATION OF THERMOSTAT WIRING FOR MULTI-COIL INSTALLATION: THE OPERATOR BASED ON THIS (COOLER/FREEZER) HAVE EACH BEEN MANUFACTURED WITH INDIVIDUAL THERMOSTATS AND SOLENOID WIRING THESE COILS IN THE FIELD MAKE CERTAIN TO CONNECT ALL SOLENOIDS IN PARALLEL TO A SINGLE THERMOSTAT. IF OTHERWISE, THAT THE THERMOSTAT LOCATED CLOSEST TO THE ENTRANCE DOOR BE USED AS THE PRIMARY.
- WALK-IN COOLER & FREEZER FINAL CONNECTIONS AND INTERCONNECTION WIRING REQUIREMENTS FOR ALL INTERIOR LIGHTING FIXTURES SHALL BE BY THIS ELECTRICAL CONTRACTOR.
- IF CONDENSING UNITS ARE TO BE ROOF MOUNTED, GENERAL CONTRACTOR IS TO PROVIDE ROOF SUPPORT & PITCH POCKETS TO ACCEPT REFRIGERATION & ELECTRICAL SUPPLY LINES THROUGH ROOF.
- ALL CONDUIT TO RUN OUTSIDE THERMOSTAT. ALL CONDENSATE LINES MUST HAVE BEEN INSTALLED WITH SLEEVES. BACKFILL SLEEVES WITH LIQUID URETHANE. OVER LINES MUST HAVE BEEN INSTALLED WITH SLEEVES.
- AT 10' AFF PROVIDE (2) 1/2" DIAMETER SLEEVES THRU WALL TO HOUSE REFRIGERATION LINES.



### LEGEND - PLUMBING CONNECTIONS

- HW-HOT WATER, OR CW-COLD WATER
  - ⊕ GAS
  - WASTE, DIRECT-CONNECTED UNLESS NOTED "OPEN HUB"
  - ⊕ FLOOR DRAIN
  - ⊕ FLOOR DRAIN W/ATTACHED FUNNEL
  - ⊕ FLOOR SINK WITH HALF GRATE UNLESS NOTED OTHERWISE
  - FIELD CONNECTIONS
- TYPICAL DETAIL/NOT TO SCALE**



### GENERAL NOTES

- DIMENSIONS INDICATED ARE TO BE VERIFIED AND ADJUSTED AS REQUIRED BY THE EQUIPMENT OR FIELD CONDITIONS. DIMENSIONS SHOWN DO NOT ALLOW FOR OBSTRUCTIONS ON WALLS AT FIXTURE HEIGHTS. ALL DIMENSIONS ARE FROM FINISHED WALL AND FLOOR LINES AND ARE AS ACCURATE AS CAN BE DETERMINED AT THIS TIME. NO RESPONSIBILITY IS ACCEPTED OR IMPLIED FOR ANY DISCREPANCIES BETWEEN DIMENSIONS SHOWN AND ACTUAL FINISHED DIMENSIONS, NOR FOR ANY VARIATIONS IN SERVICE REQUIREMENTS ON FIXTURES DELIVERED TO THE JOBSITE.
- PLUMBING AND ELECTRICAL CONTRACTORS TO FURNISH ALL LABOR AND MATERIALS TO MAKE FINAL CONNECTIONS FROM SERVICE STUBS TO OUTLETS ON FIXTURES, INCLUDING ALL VALVES, FAUCETS, TRAPS, DISCONNECTS, CONTROL PANELS, CORDS, PLUGS, ETC.
- UTILITIES SHOWN SUPPLY FOOD SERVICE ITEMS ONLY. ARCHITECT TO PROVIDE FOR ALL OTHER MECHANICAL REQUIREMENTS, CONVENIENCE OUTLETS, HAND SINKS, LIGHTS, ETC.
- DRAIN LINE TO BE WRAPPED TIGHTLY WITH HEAT TAPE AND INSULATED WITH 1/2" INSULATION THEN TAPED AND SEALED. DRAINING TO BE COPPER.
- DRAIN LINE TO BE COPPER AND PAINTED WITH SILVER PAINT.

### PLUMBING / MECHANICAL NOTES

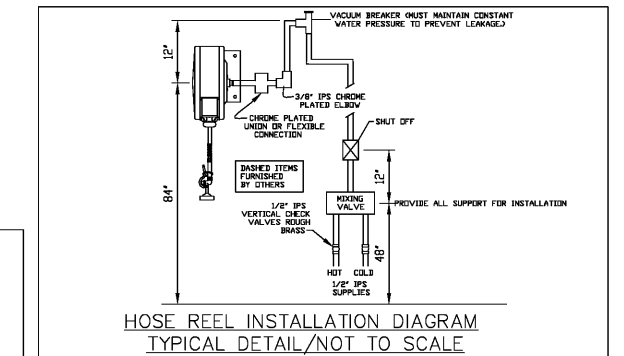
- THE FOLLOWING RELATED WORK IS NOT INCLUDED WITHIN SECTION 11400 FOODSERVICE EQUIPMENT AND IS TO BE COORDINATED WITH DIVISION 15 - PLUMBING / MECHANICAL.
  - ROUGH-IN AND FINAL CONNECTIONS TO FOODSERVICE EQUIPMENT.
  - PROVISIONS AND INSTALLATION OF NECESSARY EXHAUST AND SUPPLY FANS, DUCTS, OR FLUES OF SIZE AND CAPACITIES REQUIRED TO SERVICE FOODSERVICE EQUIPMENT.
  - DRAINLINES, TRAPS AND OTHER INTERIORS CONNECTED TO FOODSERVICE EQUIPMENT.
  - SERVICE SINKS, LAVATORIES, SINKING HOSES, BIBS AND DRINKING FOUNTAINS.
  - INSULATED 180 DEGREE HOT WATER LINE FROM BOOSTER HEATER TO DISHWASHING MACHINE, AND/OR UTENSIL WATER.
  - PIPE SLEEVES IN STRUCTURE FOR REFRIGERANT LINES ETC. LOCATED BY DIVISION 11 CONTRACTOR SHOP DRAWINGS.
  - FLUSHING OUT OF ALL AIR FROM REFRIGERATION SYSTEMS PRIOR TO FINAL CONNECTION TO FOODSERVICE EQUIPMENT.
  - INSULATING OF DISHWASHING MACHINE ACCESSORIES FURNISHED LOOSE WITH FOODSERVICE EQUIPMENT.
  - VENTILATING REFRIGERATION MACHINERY ROOMS TO PROVIDE 65 DEGREE MAXIMUM AMBIENT TEMPERATURE.
  - INSULATING DRY STORAGE ROOMS TO PROVIDE 70 DEGREE MAXIMUM TEMPERATURE.
  - INSULATING CONTROL PANELS FOR USE WITH SINKS AND EXHAUST FAN.
  - EXHAUST DUCTS AND FANS CONNECTED TO EXTRACTOR-TYPE EXHAUST HOODS SHALL NOT SERVE ANY OTHER APPLIANCE OR AREA.
  - EXTRACTOR-TYPE MULTIPLE EXHAUST HOODS INDICATED ON ELECTRICAL CONNECTIONS PLAN TO HAVE EXHAUST CONTROL PANELS FOR USE WITH A SINGLE EXHAUST FAN.
  - WATER AND GREASEPROOF EXHAUST DUCTS FROM VENT CONNECTIONS OF DISHWASHING MACHINES, UTENSIL WASHERS AND EXHAUST HOODS.
  - INSTALLATION OF FIRE SUPPRESSION GAS SOLENOID.

### PLUMBING NOTES

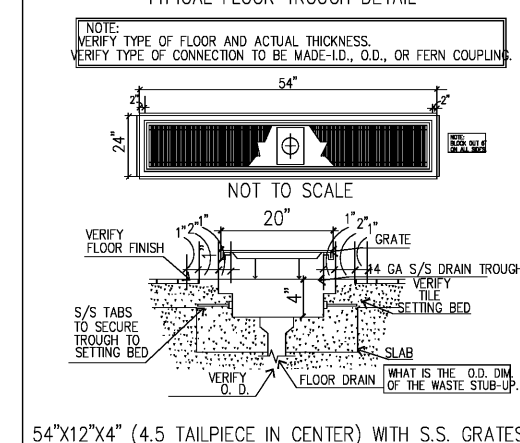
- PLUMBING CONTRACTOR IS TO VERIFY ENLARGED SCALE KITCHEN PLAN REQUIREMENTS.
- PLUMBING CONTRACTOR IS TO MAKE ALL EQUIPMENT OPERATIONAL ACCORDANCE WITH MANUFACTURER'S RECOMMENDATION.
- PLUMBING CONTRACTOR IS TO VERIFY WITH FOOD SERVICE CONTRACTOR'S SUBMITTALS TO ENSURE PROPER INSTALLATION.
- VERIFY ALL REQUIREMENTS FOR EXISTING EQUIPMENT.
- VERIFY REQUIREMENTS FOR ALL EQUIPMENT NOT SUPPLIED BY FOOD SERVICE CONTRACTOR.
- HOSE REEL IS TO HAVE 1/2" HW & 1/2" CW CONNECTED THROUGH CHECK VALVE AND VACUUM BREAKER. TEMPERED WATER LINE IS TO GO THROUGH WALL AND CONNECT TO SPRAY WHEEL, CENTERLINE OF WHICH IS 7'-0" ABOVE FINISHED FLOOR.
- PULPER REQUIRES A 1-1/2" DIAMETER COLD WATER LINE FROM THE PULPER TO THE NOZZLES ON THE SOLID DISH TABLE. PLUMBER IS TO SUPPLY PIPING NEEDED FOR PROPER OPERATION OF PULPER, INCLUDING THE LINE BETWEEN THE PULPER AND THE SOLED DISHABLE.
- CONVENIENCE PLUMBING FIXTURES ARE NOT SHOWN.
- VERIFY HOOD LOCATION.
- REQUIREMENTS UNDER HOOD ARE BASED ON CENTERLINE OF HOOD.

### MECHANICAL NOTES

- ALL DUCTWORK, FANS, CURBS, PENETRATIONS AND CONNECTIONS BEYOND VENTILATOR EXHAUST AND SUPPLY COLLAR SHALL BE SUPPLIED BY OTHERS.
- EXHAUST DUCTWORK MUST BE WATER-TIGHT AND GREASE-PROOF TO CONFORM TO ALL APPLICABLE CODES.
- CALCULATED DUCTWORK SYSTEM STATIC PRESSURE MUST BE ADDED TO EXHAUST AND SUPPLY OUTLET STATIC PRESSURE AT DUCT COLLAR TO DETERMINE TOTAL SYSTEM STATIC PRESSURE.
- FOOD SERVICE EQUIPMENT CONTRACTOR SHALL NOT BE RESPONSIBLE, OR LIABLE FOR IMPROPER FUNCTION ATTRIBUTABLE TO STATIC PRESSURE OR AIR VOLUME OTHER THAN THAT INDICATED.
- ELECTRICAL CONTRACTOR TO WIRE FROM SWITCH ON WALL TO "J" BOX ON HOOD FOR LIGHTS. ALL WIRING, CONDUIT, STARTERS, SWITCHES, ETC. FOR FANS TO BE PROVIDED BY ELECTRICAL CONTRACTOR. SWITCHES TO BE LOCATED AS SHOWN BY ENGINEER.



### TYPICAL FLOOR TROUGH DETAIL



THIS DOCUMENT IS THE PROPERTY OF STUDIO 3 DESIGN GROUP, P.C. THE UNAUTHORIZED REPRODUCTION, COPYING OR OTHER WISE USE OF THIS DOCUMENT IS STRICTLY PROHIBITED. ANY INFRINGEMENT THEREON MAY BE SUBJECT TO LEGAL ACTION.  
COPYRIGHT 2007  
STUDIO 3 DESIGN GROUP, P.C.

MEMBERS OF THE  
AMERICAN INSTITUTE OF ARCHITECTS

- CIVIL ENGINEER  
CIVIL DESIGN SOLUTIONS
- STRUCTURAL ENGINEER  
SLATER ENGINEERING
- PLUMBING ENGINEER  
DELTA ENGINEERING GROUP, LLC.
- MECHANICAL ENGINEER  
DELTA ENGINEERING GROUP, LLC.
- ELECTRICAL ENGINEER  
DELTA ENGINEERING GROUP, LLC.

KITCHEN ROUGH-IN DETAILS

ADDITION AND RENOVATIONS TO THE  
**BURKE COUNTY SENIOR CENTER**  
717 WEST 6TH STREET  
WAYNESBORO, GEORGIA

PROJECT NUMBER 201903

REVISIONS  
DRAWN BY: L.A.  
CHECKED BY: S.B.B.  
ISSUE DATE: 4/13/2020  
PLOT DATE: 4/20/2020

**A3.2**