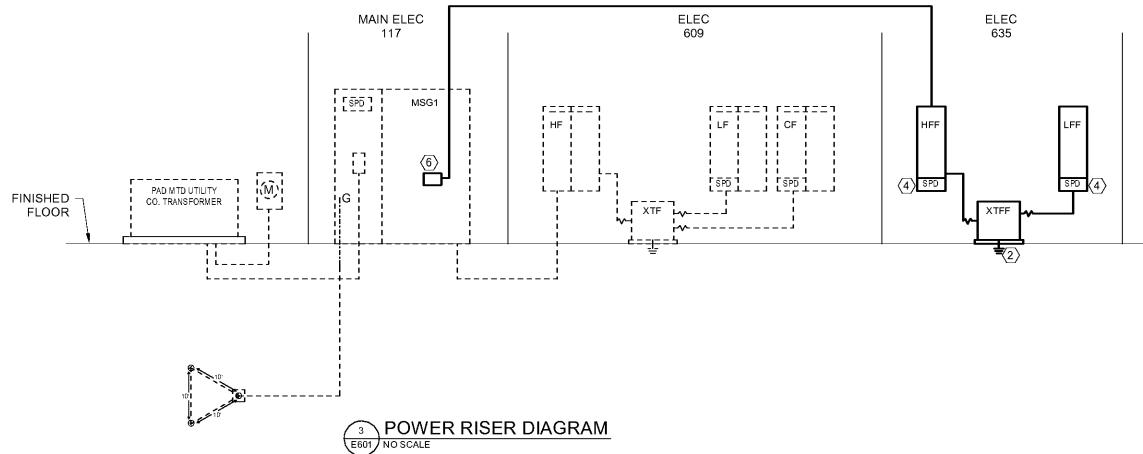


A
B
C
D
E
F
G
H
I
J
K
L
M
N



ELECTRICAL RISER DIAGRAM NOTES:

- REFER TO SWITCHBOARD AND PANELBOARD SCHEDULES FOR CONDUIT AND CONDUCTOR SIZES.
- PROVIDE A DRIVEN GROUND ROD FIVE FEET BEYOND THE BUILDING EXTERIOR WALL FOR EACH TRANSFORMER SECONDARY NEUTRAL. PROVIDE GROUNDING CONDUCTOR SIZED PER SECTION 260526 FROM TRANSFORMER GROUND BAR TO GROUND ROD. REFER TO GROUNDING SCHEMATIC.
- REFER TO ELECTRICAL SITE PLAN AND 1/8" SCALE DRAWINGS FOR LOCATIONS OF PANELS.
- SURGE PROTECTIVE DEVICE (SPD) PER SECTION 262413 AND/OR 262416. SPD SHALL BE INSTALLED BY AND SHIPPED FROM THE PANELBOARD AND/OR SWITCHBOARD MANUFACTURER'S FACTORY.
- IN ANY INSTANCE WHERE THE SECONDARY FEEDER OF A TRANSFORMER EXCEEDS 10 FEET LENGTH, CHANGE PANEL TO MAIN LUGS ONLY AND LOCATE BREAKER IN AN ENCLOSURE NEAR TRANSFORMER.
- FURNISH AND INSTALL A NEW 225A/3P CIRCUIT BREAKER EXISTING SWITCHBOARD MSG1 TO FEED NEW PANEL HFF.

480Y/277V 3-Phase 4-Wire LIGHTING PANEL Name: HFF

Main: 225A Main molded case breaker Min Sys IC: 20000
 Trip: Surface Door: Yes Fed from: MSG1
 Neutral: S/N Ground bar: Yes Feeder: Note 1

CIR DESCRIPTION	CONDUIT	PHASE	NEUT	GND	TRIP	POLES			TRIP	CONDUIT	PHASE	NEUT	GND	DESCRIPTION	CIR
						A	B	C							
1 LTG CORRIDOR	Note 2	#12	#12	#12	20	1			784					MWP-F16	4
3 LTG CLASSROOMS	Note 2	#12	#12	#12	20	1			2996					#10	4
5 LTG EXTERTOR	Note 2	#12	#12	#12	20	1			464					#10	6
7 MWP-F14	1/2"	#10	-	#10	30	3			5799	5799				#10	8
9 -		#10	-						5799					#10	10
11 -		#10	-						5799					#10	12
13 MWP-F13	1/2"	#10	-	#10	30	3			5799	5799				#10	14
15 -		#10	-						5799					#10	16
17 -		#10	-						5799					#10	18
19 MWP-F15	1/2"	#10	-	#10	30	3			5799	5799				#10	20
21 -		#10	-						5799					#10	22
23 -		#10	-						5799					#10	24
25 EH-F04	Note 2	#12	#12	#12	20	1			4000					EH-F07	26
27 EH-F05	Note 2	#12	#12	#12	20	1			4000					Space only	28
29 EH-F06	Note 2	#12	#12	#12	20	1			4000					Space only	30
31 SPARE					20	1								Space only	32
33 SPARE					20	1								Space only	34
35 SPARE					20	1								Space only	36
37 SPARE					20	1								Space only	38
39 Space only									12657					#4	40
41 Space only									12703					#4	42

Phase load totals A 52830 B 58447 C 51961

Notes for HFF:
 1 Feeder is (1) 2-1/2" - 483 - 48 GND 11MM Copper
 2 A maximum of 3 phases, 1 neutral and 1 ground may be combined per conduit without derating
 3 Use breaker suitable for 75C conductors for circuit 38

208Y/120V 3-Phase 4-Wire LIGHTING PANEL Name: LFF Section 1

Main: 100A Main molded case breaker Min Sys IC: 20000
 Trip: Surface Door: Yes Fed from: XTF
 Neutral: S/N Ground bar: Yes Provide 100A feed-thru lugs

CIR DESCRIPTION	CONDUIT	PHASE	NEUT	GND	TRIP	POLES			TRIP	CONDUIT	PHASE	NEUT	GND	DESCRIPTION	CIR
						A	B	C							
1 REC CR 635	Note 2	#12	#12	#12	20	1			720					REC CR 635	3
3 REC CR 625	Note 2	#12	#12	#12	20	1			720					REC CR 625	4
5 REC CR 625	Note 2	#12	#12	#12	20	1			540					REC CR 625	6
7 REC CR 636	Note 2	#12	#12	#12	20	1			720					REC CR 636	8
9 REC CR 636	Note 2	#12	#12	#12	20	1			720					REC CR 639	10
11 REC CR 639	Note 2	#12	#12	#12	20	1			720					REC CR 639	12
13 REC CR 626	Note 2	#12	#12	#12	20	1			720					REC CR 626	14
15 REC CR 626	Note 2	#12	#12	#12	20	1			720					REC CR 626	16
17 REC CR 626	Note 2	#12	#12	#12	20	1			720					REC CR 626	18
19 REC CR 637	Note 2	#12	#12	#12	20	1			720					REC CR 637	20
21 REC CR 637	Note 2	#12	#12	#12	20	1			540					REC CR 638	22
23 REC CR 638	Note 2	#12	#12	#12	20	1			720					REC CR 638	24
25 DRINK FOUNTAINS	Note 2	#12	#12	#12	20	1			1200					REC WORKROOM 628	26
27 REC WORKROOM 628	Note 2	#12	#12	#12	20	1			1000					REC WORKROOM 628	28
29 REC WORKROOM 628	Note 2	#12	#12	#12	20	1			720					REC WORKROOM 628	30
31 REC TOOL 627, 630	Note 2	#12	#12	#12	20	1			360					REC CONF 627	32
33 REC CONF 627	Note 2	#12	#12	#12	20	1			720					REC RESTROOMS	34
35 REC CONF 627	Note 2	#12	#12	#12	20	1			360					REC RESTROOMS	36
37 EP-F10	Note 2	#12	#12	#12	15	1			696					IMH-1	38
39 EP-F12	Note 2	#12	#12	#12	15	1			696					IMH-1	40
40 SPARE					20	1									42

Phase load totals A 13203 B 12110 C 13889

Notes for LFF:
 1 Feeder is (1) 1-1/2" - 483 - 48 GND 11MM Copper from 4S VVA Transformer: XTF
 2 A maximum of 3 phases, 1 neutral and 1 ground may be combined per conduit without derating
 3 Provide GFCI - circuit 25

THIS SHALL BE A SINGLE SECTION, 66 CIRCUIT PANELBOARD

PANEL SCHEDULES THIS SHEET:

HFF LFF

NOTE:
 ON PANELBOARD DIRECTORIES, CONTRACTOR SHALL ADD SUFFICIENT TEXT TO EACH CIRCUIT DESCRIPTION SO AS TO DIFFERENTIATE EACH CIRCUIT FROM ALL OTHERS, IN COMPLIANCE WITH 2014 NEC ARTICLE 408

SA&E PROJECT NUMBER	01-632-056
BID PACKAGE	BP-1
ISSUED FOR CONSTRUCTION	FEB. 4, 2020
REVISIONS	
R #	Doc # Date

FACILITY CODE NUMBER: 672-0109
 (6) CLASSROOM ADDITION TO:
CREEKSIDE MIDDLE SCHOOL
 CATAULA, GEORGIA
HARRIS COUNTY BOARD OF EDUCATION
 HAMILTON, GEORGIA

RISER DIAGRAM & PANEL SCHEDULES

		DRAWING NUMBER
		E601