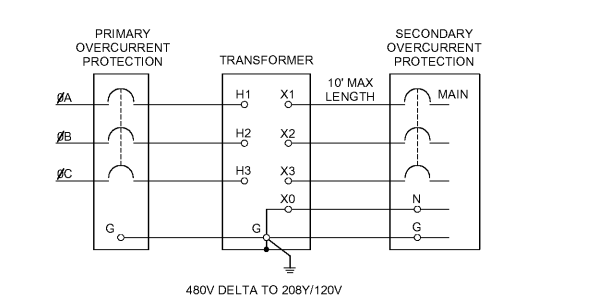
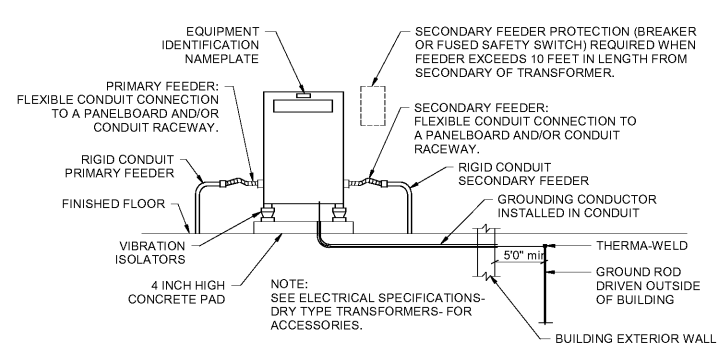


NOTES:  
 1. TEXT MAY BE FIELD PAINTED VIA STENCIL OR SELF ADHESIVE MACHINE PRINT VINYL LABEL  
 2. BACKGROUND COLOR: RED  
 LETTERING COLOR: WHITE

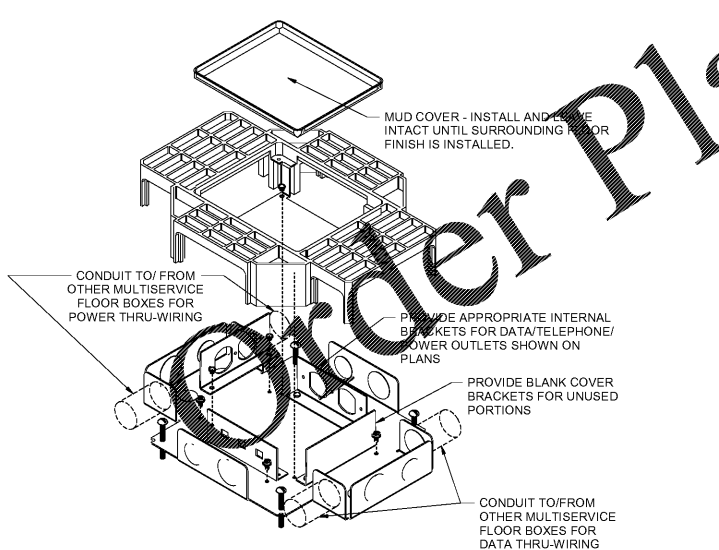
1 DETAIL - JUNCTION BOX COVER FOR FIRE ALARM SYSTEM  
 E501 NO SCALE



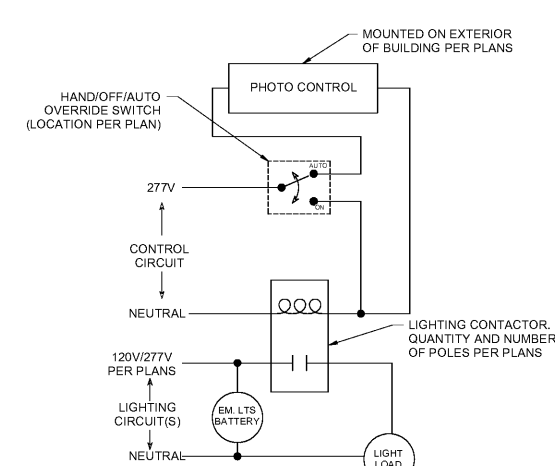
2 DETAIL - TRANSFORMER CONNECTIONS  
 E501 NO SCALE



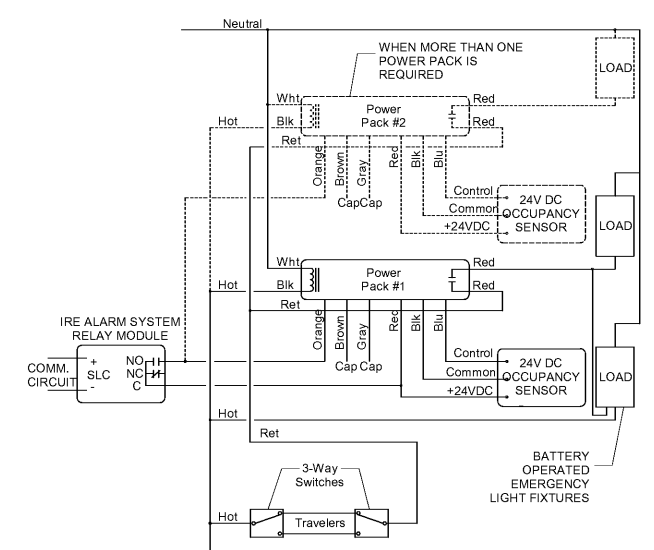
6 DETAIL - FLOOR MOUNTED TRANSFORMER  
 E501 NO SCALE



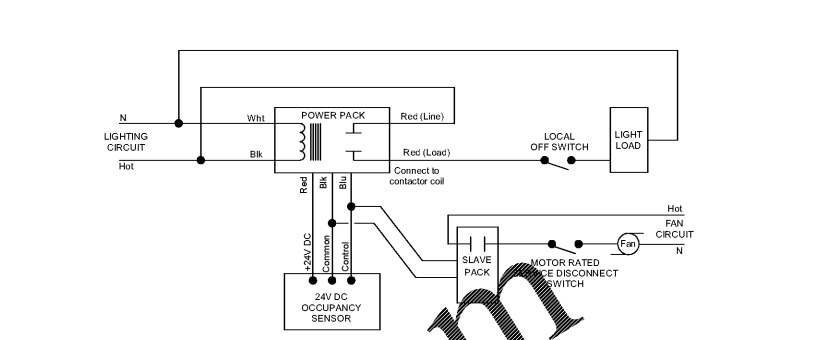
9 DETAIL - MULTISERVICE FLUSH MOUNTED FLOOR BOX  
 E501 NO SCALE



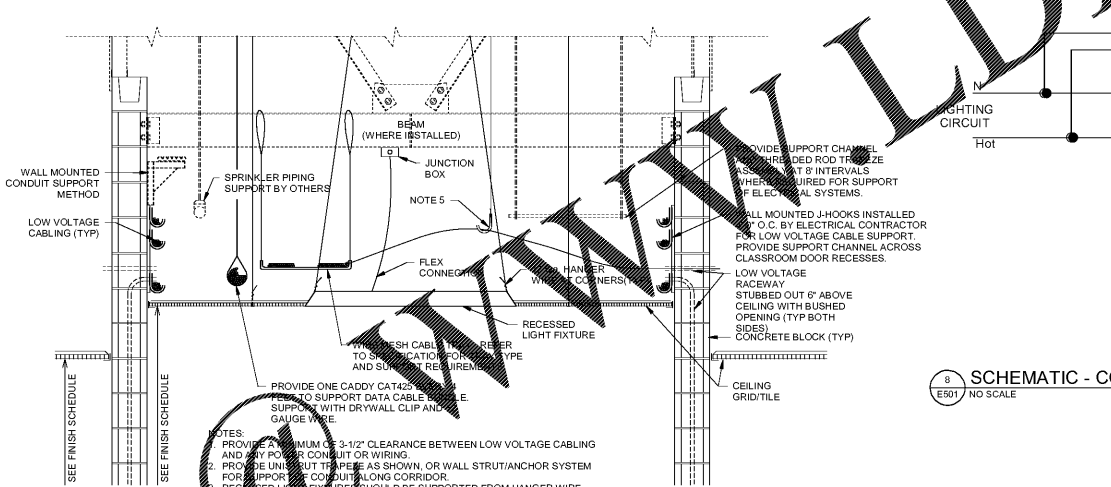
3 SCHEMATIC - EXTERIOR LIGHTING CONTROL HAND/OFF/AUTO SWITCH & PHOTOCELL WITH CONTACTOR  
 E501 NO SCALE



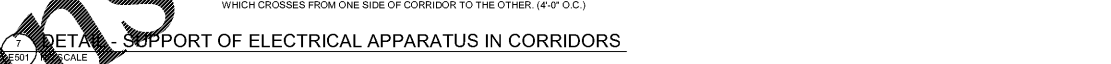
4 SCHEMATIC - CONNECTION OF LIGHT FIXTURES & OCCUPANCY SENSORS IN CORRIDORS, PASSAGeways, HALLWAYS, LOBBIES, AND COMMONS  
 E501 NO SCALE



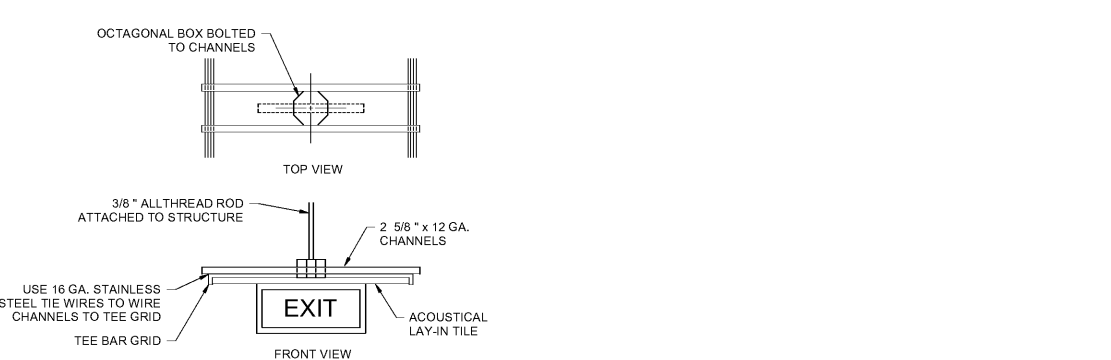
5 SCHEMATIC - SINGLE BATHROOM WITH EXHAUST FAN AND OCCUPANCY SENSOR  
 E501 1/2" = 1'-0"



8 SCHEMATIC - CONNECTION OF LIGHT FIXTURES WITH OCCUPANCY SENSORS  
 E501 NO SCALE



7 DETAIL - SUPPORT OF ELECTRICAL APPARATUS IN CORRIDORS  
 E501 NO SCALE



10 DETAIL - SURFACE CEILING MOUNTED EXIT LIGHT  
 E501 NO SCALE

Order Plans

SA&E PROJECT NUMBER BID PACKAGE ISSUED FOR CONSTRUCTION	01-632-056 BP-1 FEB. 4, 2020
<b>Southern AE</b> 7951 Traxon Circle Austell, Ga 30168 (770) 819-7777 architects & engineers	
FACILITY CODE NUMBER: 672-0109 (6) CLASSROOM ADDITION TO: <b>CREEKSIDE MIDDLE SCHOOL</b> CATAULA, GEORGIA <b>HARRIS COUNTY BOARD OF EDUCATION</b> HAMILTON, GEORGIA	
DETAILS	
	DRAWING NUMBER <b>E501</b>