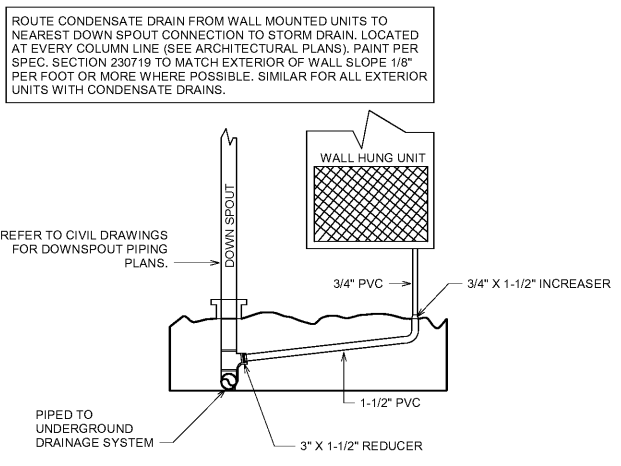
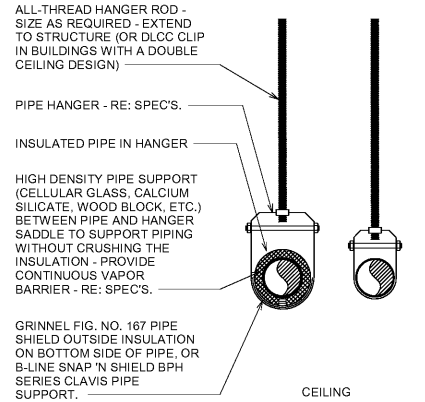


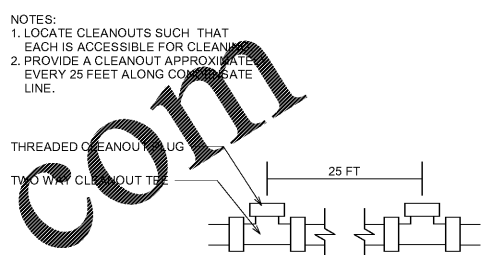
1 EXHAUST CENTRIFUGAL FAN ROOF MOUNTED (SLOPED ROOF) DETAIL
M501 1" = 1'-0"



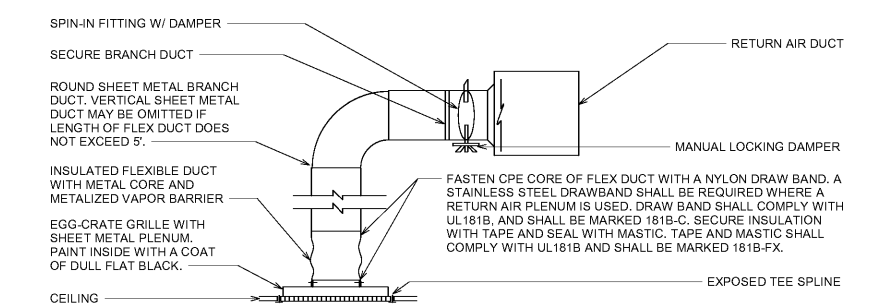
4 WALL HUNG CONDENSATE DRAIN DETAIL
M501 3/4" = 1'-0"



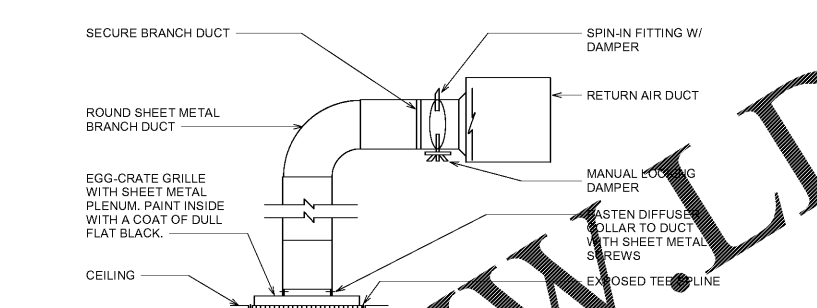
7 PIPE HANGER DETAIL
M501 1" = 1'-0"



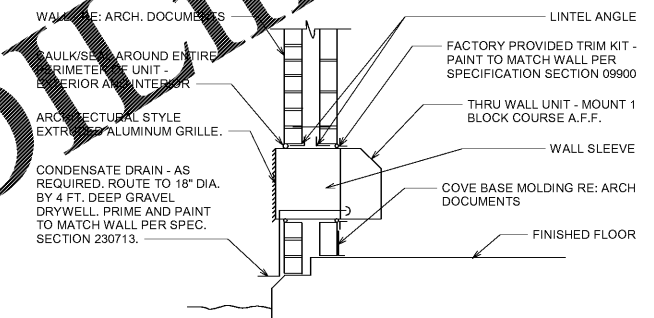
10 CONDENSATE LINE CLEANOUTS
M501 12" = 1'-0"



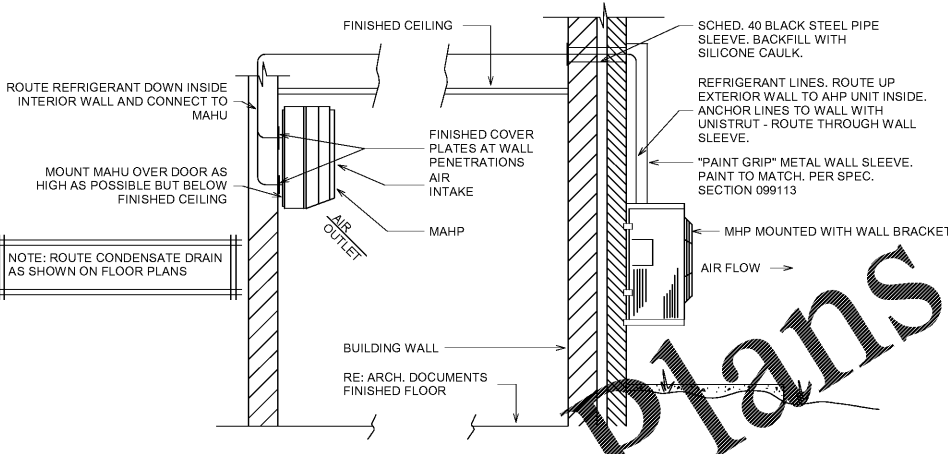
2 RETURN GRILLE W/ FLEX CONNECTION DETAIL
M501 1" = 1'-0"



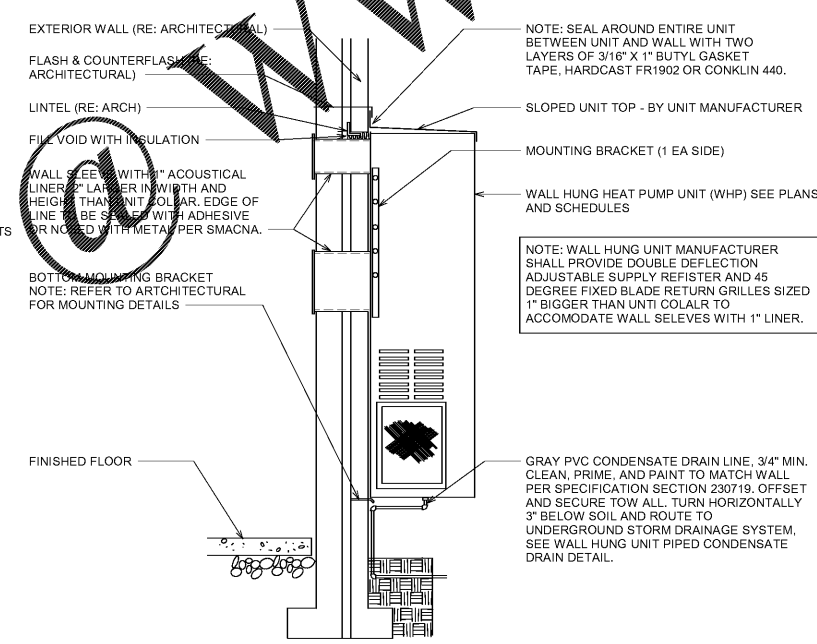
5 RETURN GRILLE CONNECTION DETAIL
M501 1" = 1'-0"



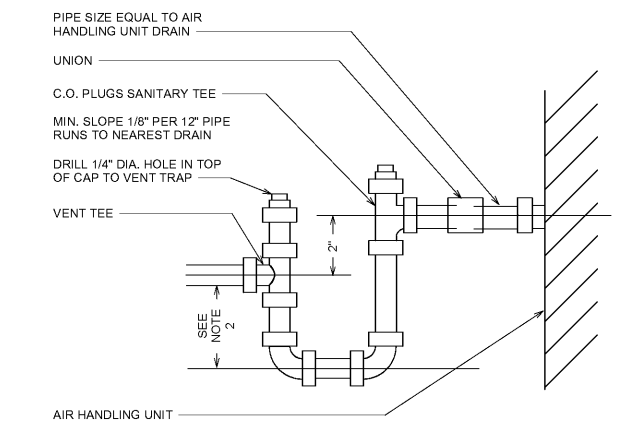
8 THRU WALL HEAT PUMP DETAIL
M501 1" = 1'-0"



3 MINI-SPLIT WALL MOUNTED INSTALLATION DETAIL
M501 1" = 1'-0"



6 WALL HUNG HEAT PUMP DETAIL
M501 1" = 1'-0"



9 CONDENSATE DRAIN P-TRAP DETAIL
M501 1" = 1'-0"

Order Plans

ROUTE CONDENSATE DRAIN FROM WALL MOUNTED UNITS TO NEAREST DOWN SPOUT CONNECTION TO STORM DRAIN. LOCATED AT EVERY COLUMN LINE (SEE ARCHITECTURAL PLANS). PAINT PER SPEC. SECTION 230719 TO MATCH EXTERIOR OF WALL. SLOPE 1/8" PER FOOT OR MORE WHERE POSSIBLE. SIMILAR FOR ALL EXTERIOR UNITS WITH CONDENSATE DRAINS.

ALL-THREAD HANGER ROD - SIZE AS REQUIRED - EXTEND TO STRUCTURE (OR DLCC CLIP IN BUILDINGS WITH A DOUBLE CEILING DESIGN)

PIPE HANGER - RE: SPEC'S.

INSULATED PIPE IN HANGER

HIGH DENSITY PIPE SUPPORT (CELLULAR GLASS, CALCIUM SILICATE, WOOD BLOCK, ETC.) BETWEEN PIPE AND HANGER SADDLE TO SUPPORT PIPING WITHOUT CRUSHING THE INSULATION - PROVIDE CONTINUOUS VAPOR BARRIER - RE: SPEC'S.

GRINNEL FIG. NO. 167 PIPE SHIELD OUTSIDE INSULATION ON BOTTOM SIDE OF PIPE, OR B-LINE SNAP 'N SHIELD BPH SERIES CLAVIS PIPE SUPPORT.

CEILING

NOTES:
1. LOCATE CLEANOUTS SUCH THAT EACH IS ACCESSIBLE FOR CLEANING.
2. PROVIDE A CLEANOUT APPROXIMATELY EVERY 25 FEET ALONG CONDENSATE LINE.

THREADED CLEANOUT PLUG

TWO-WAY CLEANOUT TEE

25 FT

WALL SLEEVE: ARCH. DOCUMENTS

CAULK/SEAL AROUND ENTIRE PERIMETER OF UNIT - EXTERIOR AND INTERIOR

ARCHITECTURAL STYLE EXTENDED ALUMINUM GRILLE.

CONDENSATE DRAIN - AS REQUIRED. ROUTE TO 18" DIA. BY 4 FT. DEEP GRAVEL DRYWELL. PRIME AND PAINT TO MATCH WALL PER SPEC. SECTION 230713.

FINISHED FLOOR

COVE BASE MOLDING RE: ARCH DOCUMENTS

WALL SLEEVE

THRU WALL UNIT - MOUNT 1 BLOCK COURSE A.F.F.

FACTORY PROVIDED TRIM KIT - PAINT TO MATCH WALL PER SPECIFICATION SECTION 09900

LINTEL ANGLE

EXTERIOR WALL (RE: ARCHITECTURAL)

FLASH & COUNTERFLASH (RE: ARCHITECTURAL)

LINTEL (RE: ARCH)

FILL VOID WITH INSULATION

WALL SLEEVE WITH 1" ACOUSTICAL LINER 2" LARGER IN WIDTH AND HEIGHT THAN UNIT COLLAR. EDGE OF LINER TO BE SEALED WITH ADHESIVE OR NEEDED WITH METAL PER SMACNA.

BOTTOM MOUNTING BRACKET NOTE: REFER TO ARCHITECTURAL FOR MOUNTING DETAILS

FINISHED FLOOR

NOTE: SEAL AROUND ENTIRE UNIT BETWEEN UNIT AND WALL WITH TWO LAYERS OF 3/16" X 1" BUTYL GASKET TAPE. HARDCAST FR1902 OR CONKLIN 440.

SLOPED UNIT TOP - BY UNIT MANUFACTURER

MOUNTING BRACKET (1 EA SIDE)

WALL HUNG HEAT PUMP UNIT (WHP) SEE PLANS AND SCHEDULES

NOTE: WALL HUNG UNIT MANUFACTURER SHALL PROVIDE DOUBLE DEFLECTION ADJUSTABLE SUPPLY REGISTER AND 45 DEGREE FIXED BLADE RETURN GRILLES SIZED 1" BIGGER THAN UNIT COLLAR TO ACCOMMODATE WALL SELEVES WITH 1" LINER.

GRAY PVC CONDENSATE DRAIN LINE, 3/4" MIN. CLEAN, PRIME, AND PAINT TO MATCH WALL PER SPECIFICATION SECTION 230719. OFFSET AND SECURE TOW ALL. TURN HORIZONTALLY 3" BELOW SOIL AND ROUTE TO UNDERGROUND STORM DRAINAGE SYSTEM. SEE WALL HUNG UNIT PIPED CONDENSATE DRAIN DETAIL.

NOTES:
1. LOCATE TRAPS SO AS TO BE ACCESSIBLE FOR CLEANING.
2. DIMENSIONS SHALL BE EQUAL TO UNIT STATIC PRESSURE. SEE SCHEDULE.

SA&E PROJECT NUMBER	01-632-056
BID PACKAGE	BP-1
ISSUED FOR CONSTRUCTION	FEB. 4, 2020
Southern AE	
7951 Traxon Circle Austell, Ga 30168 (770) 819-7777	REVISIONS
architects & engineers	R # Doc # Date
<small>© COPYRIGHT 2001 BY SOUTHERN AE, LLC. ALL RIGHTS RESERVED. THIS DOCUMENT IS THE PROPERTY OF SOUTHERN AE, LLC AND SHALL NOT BE COPIED OR REPRODUCED IN WHOLE OR IN PART WITHOUT EXPRESS WRITTEN PERMISSION FROM SOUTHERN AE, LLC.</small>	

FACILITY CODE NUMBER: 672-0109

(6) CLASSROOM ADDITION TO:
CREEKSIDE MIDDLE SCHOOL
CATAULA, GEORGIA

HARRIS COUNTY BOARD OF EDUCATION
HAMILTON, GEORGIA

MECHANICAL EQUIPMENT DETAILS

DRAWING NUMBER
M501