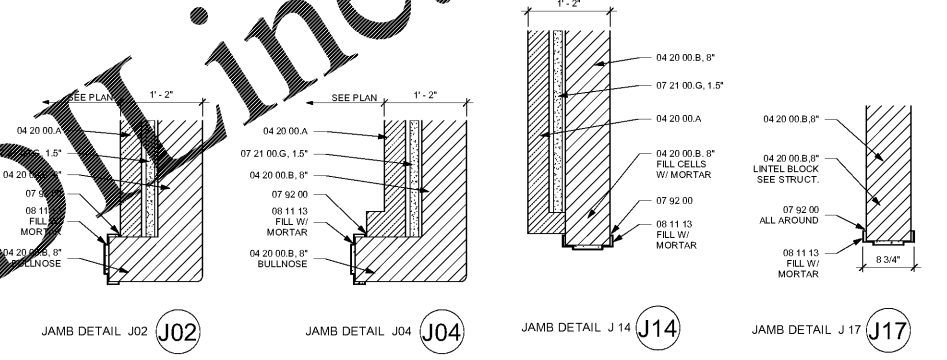


DOOR & FRAME SCHEDULE

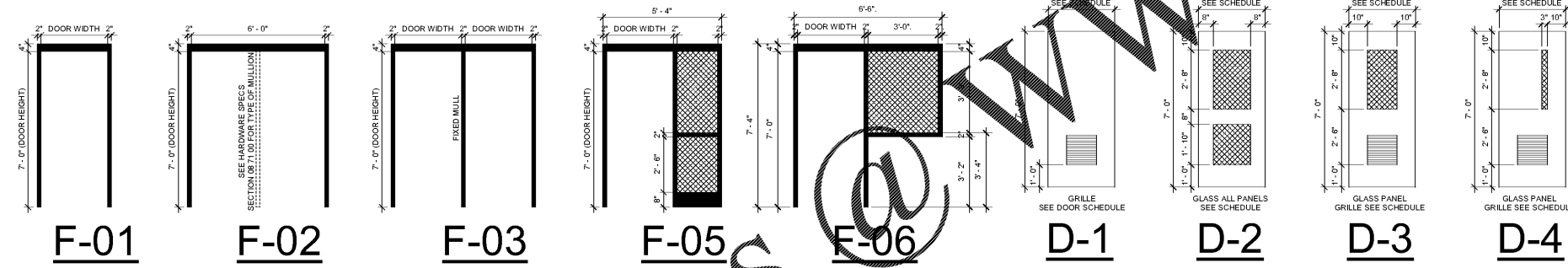
INTERIOR FINISH SCHEDULE

DOOR NUMBER	FRAME ELEVATION	FRAME MATERIAL	RATED FRAME	FRAME DESCRIPTION				DOOR DESCRIPTION	DOOR MATERIAL	DOOR ELEVATION	DOOR MATERIAL	DOOR DESCRIPTION				REMARKS
				SIZE		DETAILS						ELECTRICAL HARDWARE		SIZE		
				JAMB WIDTH	HEAD HEIGHT	HEAD	JAMB					ACCESS CONTROL	DOOR CONTACTS	WIDTH	HEIGHT	
625a	F-05	HOLLOW METAL		8 3/4"	7'-4"	H02	J17	(none)	TYPE A-2	(none)	D-1	SOLID CORE WOOD	3'-0"	7'-0"	(none)	
625b	F-01	HOLLOW METAL		8 3/4"	7'-4"	H02	J17	(none)	(none)	(none)	D-1	SOLID CORE WOOD	3'-0"	7'-0"	(none)	
625c	F-15	GALV. HOLLOW METAL		8 3/4"	8'-8"	H16	J02	ALUMINUM	(none)	(none)	D-2	HOLLOW METAL	3'-0"	7'-0"	(none)	
626a	F-05	HOLLOW METAL		8 3/4"	7'-4"	H02	J17	(none)	TYPE A-2	(none)	D-1	SOLID CORE WOOD	3'-0"	7'-0"	(none)	
626b	F-01	HOLLOW METAL		8 3/4"	7'-4"	H02	J17	(none)	(none)	(none)	D-1	SOLID CORE WOOD	3'-0"	7'-0"	(none)	
626c	F-15	GALV. HOLLOW METAL		8 3/4"	8'-8"	H16	J02	ALUMINUM	(none)	(none)	D-2	HOLLOW METAL	3'-0"	7'-0"	(none)	
627a	F-06	HOLLOW METAL		8 3/4"	7'-4"	H02	J17	(none)	TYPE A-1	(none)	D-1	SOLID CORE WOOD	3'-0"	7'-0"	(none)	
627b	F-11	GALV. HOLLOW METAL		8 3/4"	8'-8"	H10	J14	ALUMINUM	(none)	POST MOUNTED	D-2	HOLLOW METAL	3'-0"	7'-0"	(none)	
628a	F-06	HOLLOW METAL		8 3/4"	8'-8"	H02	J17	RUBBER	TYPE A-3	(none)	D-3	SOLID CORE WOOD	3'-0"	7'-0"	(none)	
629a	F-01	HOLLOW METAL		8 3/4"	7'-4"	H02	J17	(none)	TYPE C-3	(none)	D-1	SOLID CORE WOOD	3'-0"	7'-0"	(none)	
630a	F-01	HOLLOW METAL		8 3/4"	7'-4"	H02	J17	(none)	TYPE C-3	(none)	D-1	SOLID CORE WOOD	3'-0"	7'-0"	(none)	
631a	F-01	HOLLOW METAL	X	8 3/4"	7'-4"	H02	J17	(none)	TYPE B	(none)	D-1	SOLID CORE WOOD	3'-0"	7'-0"	45 MIN	
632a	-	GALV. HOLLOW METAL		4'-3"			3/8" S1	(none)	(none)	(none)	-	SOLID FRP	2'-0"	4'-10"	(none)	
632b	-	GALV. HOLLOW METAL		4'-3"			3/8" S1	(none)	(none)	(none)	-	SOLID FRP	2'-0"	4'-10"	(none)	
632c	-	GALV. HOLLOW METAL		4'-3"			3/8" S1	(none)	(none)	(none)	-	SOLID FRP	2'-0"	4'-10"	(none)	
632d	-	GALV. HOLLOW METAL		4'-3"			3/8" S1	(none)	(none)	(none)	-	SOLID FRP	3'-0"	4'-10"	(none)	
632e	F-01	GALV. HOLLOW METAL		8 3/4"	7'-4"	H02	J17	MARBLE	TYPE C-2	(none)	(none)	(none)	3'-0"	7'-0"	(none)	
633a	-	GALV. HOLLOW METAL		4'-3"			3/8" S1	(none)	(none)	(none)	-	SOLID FRP	2'-0"	4'-10"	(none)	
633b	-	GALV. HOLLOW METAL		4'-3"			3/8" S1	(none)	(none)	(none)	-	SOLID FRP	3'-0"	4'-10"	(none)	
633c	F-01	GALV. HOLLOW METAL		8 3/4"	7'-4"	H02	J17	MARBLE	TYPE C-1	(none)	(none)	(none)	3'-0"	7'-0"	(none)	
634a	F-01	HOLLOW METAL	X	8 3/4"	7'-4"	H02	J17	MARBLE	TYPE B	(none)	D-1	SOLID CORE WOOD	3'-0"	7'-0"	45 MIN	
635a	F-01	HOLLOW METAL	X	8 3/4"	7'-4"	H02	J17	(none)	TYPE B	(none)	D-1	SOLID CORE WOOD	3'-0"	7'-0"	45 MIN	
636a	F-05	HOLLOW METAL		8 3/4"	7'-4"	H02	J17	(none)	TYPE A-2	(none)	D-1	SOLID CORE WOOD	3'-0"	7'-0"	(none)	
636b	F-01	HOLLOW METAL		8 3/4"	7'-4"	H02	J17	(none)	(none)	(none)	D-1	SOLID CORE WOOD	3'-0"	7'-0"	(none)	
636c	F-15	GALV. HOLLOW METAL		8 3/4"	8'-8"	H16	J02	ALUMINUM	(none)	(none)	D-2	HOLLOW METAL	3'-0"	7'-0"	(none)	
637a	F-05	HOLLOW METAL		8 3/4"	7'-4"	H02	J17	(none)	TYPE A-2	(none)	D-1	SOLID CORE WOOD	3'-0"	7'-0"	(none)	
637b	F-01	HOLLOW METAL		8 3/4"	7'-4"	H02	J17	(none)	(none)	(none)	D-1	SOLID CORE WOOD	3'-0"	7'-0"	(none)	
637c	F-15	GALV. HOLLOW METAL		8 3/4"	8'-8"	H16	J02	ALUMINUM	(none)	(none)	D-2	SOLID CORE WOOD	3'-0"	7'-0"	(none)	
638a	F-05	HOLLOW METAL		8 3/4"	7'-4"	H02	J17	(none)	TYPE A-2	(none)	D-1	SOLID CORE WOOD	3'-0"	7'-0"	(none)	
638b	F-01	HOLLOW METAL		8 3/4"	7'-4"	H02	J17	(none)	(none)	(none)	D-1	SOLID CORE WOOD	3'-0"	7'-0"	(none)	
638c	F-15	GALV. HOLLOW METAL		8 3/4"	8'-8"	H16	J02	ALUMINUM	(none)	(none)	D-2	HOLLOW METAL	3'-0"	7'-0"	(none)	
639a	F-05	HOLLOW METAL		8 3/4"	7'-4"	H02	J17	(none)	TYPE A-2	(none)	D-1	SOLID CORE WOOD	3'-0"	7'-0"	(none)	
639b	F-01	HOLLOW METAL		8 3/4"	7'-4"	H02	J17	(none)	(none)	(none)	D-1	SOLID CORE WOOD	3'-0"	7'-0"	(none)	
639c	F-15	GALV. HOLLOW METAL		8 3/4"	8'-8"	H16	J02	ALUMINUM	(none)	(none)	D-2	HOLLOW METAL	3'-0"	7'-0"	(none)	
640a	F-12	GALV. HOLLOW METAL		8 3/4"	8'-8"	H02	J17	(none)	(none)	(none)	D-3	SOLID CORE WOOD	3'-0"	7'-0"	X	
640b	F-12	GALV. HOLLOW METAL		8 3/4"	8'-8"	H02	J17	(none)	(none)	(none)	D-3	SOLID CORE WOOD	3'-0"	7'-0"	X	
641a	F-12	GALV. HOLLOW METAL		8 3/4"	8'-8"	H02	J17	(none)	(none)	(none)	D-3	SOLID CORE WOOD	3'-0"	7'-0"	X	
641b	F-12	GALV. HOLLOW METAL		8 3/4"	8'-8"	H16	J14	ALUMINUM	(none)	POST MOUNTED	D-3	HOLLOW METAL	3'-0"	7'-0"	X	

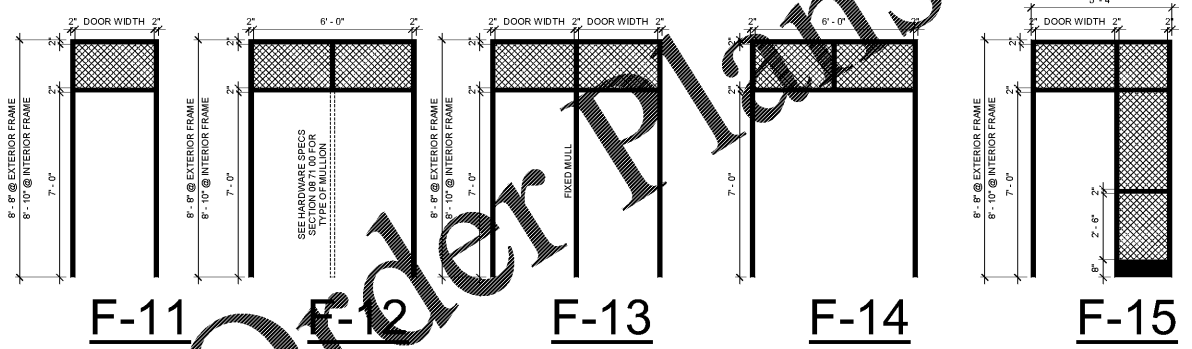
ROOM NUMBER	ROOM NAME	FLOOR FINISH	BASE FINISH	WALL FINISH	WAINSCOTT/WALL ACCENTS	CEILING FINISH	Ceiling Height	COMMENTS
625	8th Grade Classroom	VCT	RUBBER	PAINTED		2x2 ACoust. TILE	9'-0"	
626	8th Grade Classroom	VCT	RUBBER	PAINTED		2x2 ACoust. TILE	9'-0"	
627	Conference	VCT	RUBBER	PAINTED		2x2 ACoust. TILE	9'-0"	
628	Workroom	VCT	RUBBER	PAINTED		2x2 ACoust. TILE	9'-0"	
629	Toilet	RESINOUS FLOORING	6" RESINOUS BASE	PAINTED		M.R. 2x2 ACoust. TILE	9'-0"	
630	Toilet	RESINOUS FLOORING	6" RESINOUS BASE	PAINTED		M.R. 2x2 ACoust. TILE	9'-0"	
631	Storage	VCT	RUBBER	PAINTED		2x2 ACoust. TILE	9'-0"	
632	Girls	RESINOUS FLOORING	6" RESINOUS BASE	PAINTED		M.R. 2x2 ACoust. TILE	9'-0"	
633	Boys	RESINOUS FLOORING	6" RESINOUS BASE	PAINTED		M.R. 2x2 ACoust. TILE	9'-0"	
634	Janitor	RESINOUS FLOORING	6" RESINOUS BASE	PAINTED		M.R. 2x2 ACoust. TILE	9'-0"	
635	Electrical	VCT	RUBBER	PAINTED		2x2 ACoust. TILE	9'-0"	
636	8th Grade Classroom	VCT	RUBBER	PAINTED		2x2 ACoust. TILE	9'-0"	
637	8th Grade Classroom	VCT	RUBBER	PAINTED		2x2 ACoust. TILE	9'-0"	
638	8th Grade Classroom	VCT	RUBBER	PAINTED		2x2 ACoust. TILE	9'-0"	
639	8th Grade Classroom	VCT	RUBBER	PAINTED		2x2 ACoust. TILE	9'-0"	
640	Vest.	VCT	RUBBER	PAINTED		2x2 ACoust. TILE	9'-0"	
641	Vest.	VCT	RUBBER	PAINTED		2x2 ACoust. TILE	9'-0"	
642	Corridor	VCT	RUBBER	PAINTED		2x2 ACoust. TILE	10'-0"	REFER TO DWG. A103 FOR FLOOR PATTERN



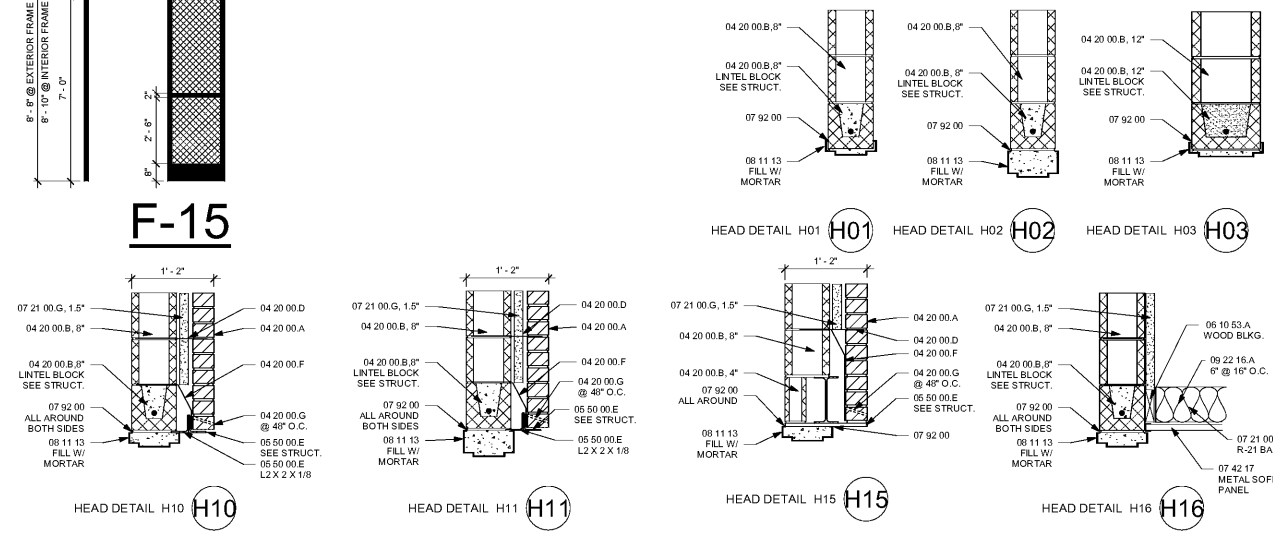
3 TYPICAL DETAILS - DOOR JAMBS
A601 1" = 1'-0"



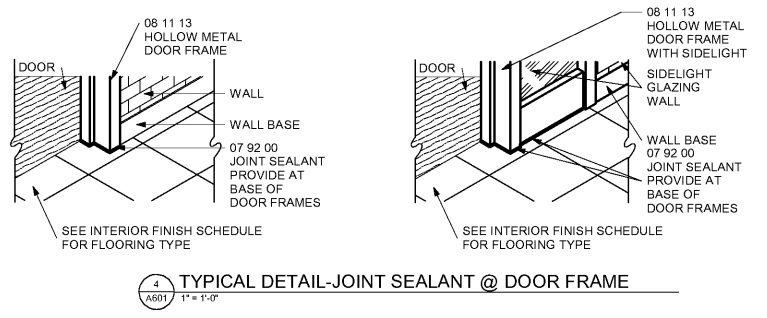
5 TYPICAL ELEVATIONS - DOORS
A601 3/8" = 1'-0"



1 TYPICAL DOOR FRAME ELEVATIONS
A601 3/8" = 1'-0"



2 TYPICAL DETAILS - DOOR HEADS
A601 1" = 1'-0"



SA&E PROJECT NUMBER	01-632-056
BID PACKAGE	BP-1
ISSUED FOR CONSTRUCTION	FEB. 4, 2020
REVISIONS	R # Doc # Date

Southern AE
7951 Traxon Circle
Austell, Ga 30168
(770) 519-7777
architects & engineers

FACILITY CODE NUMBER: 672-0109

(6) CLASSROOM ADDITION TO:
CREEKSIDE MIDDLE SCHOOL
CATAULA, GEORGIA

HARRIS COUNTY BOARD OF EDUCATION
HAMILTON, GEORGIA

SCHEDULES



DRAWING NUMBER
A601