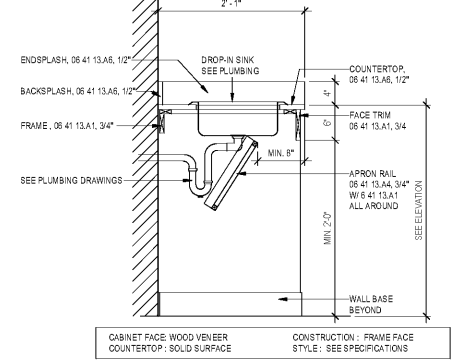
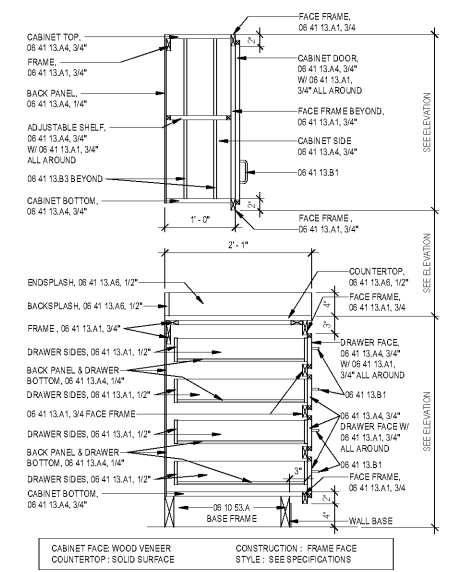


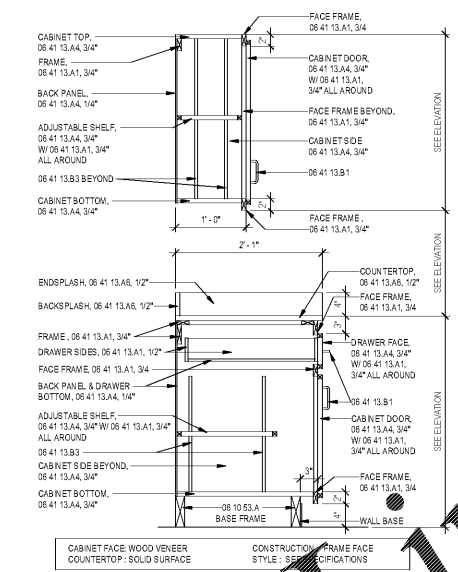
W/ BASE CABINET



W/ SINGLE H.C. COUNTER SINK



W/ BASE CABINET (FOUR DRAWERS)



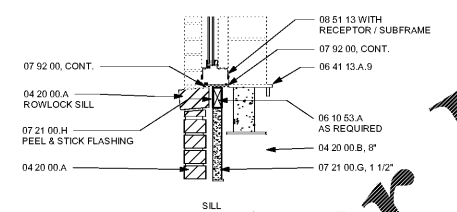
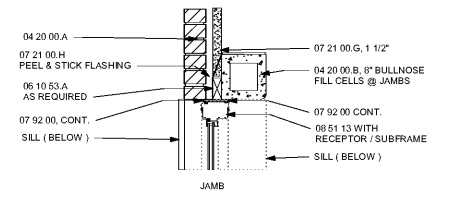
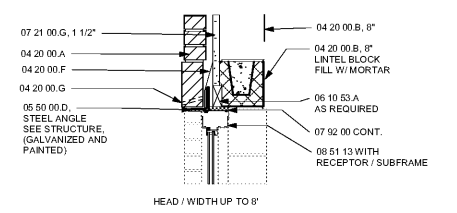
W/ BASE CABINET (ONE DRAWER)

2 MILLWORK SECTION
A502 1" = 1'-0"

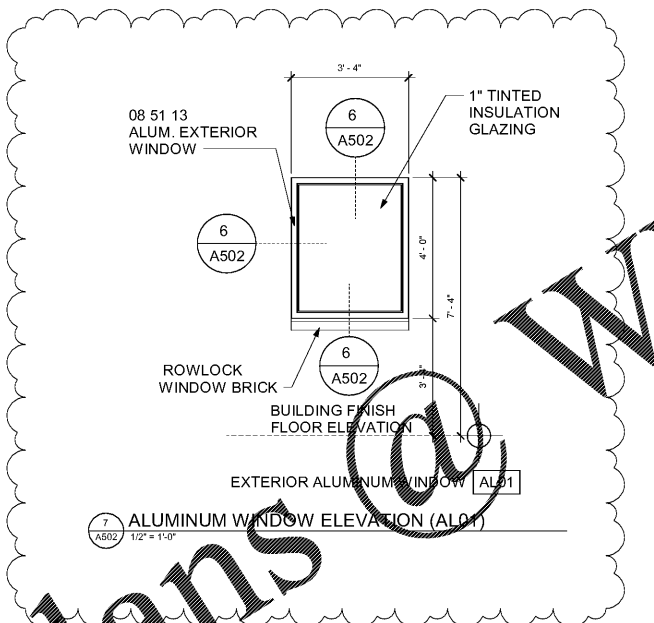
3 HCSINK
A502 1" = 1'-0"

4 MILLWORK SECTION
A502 1" = 1'-0"

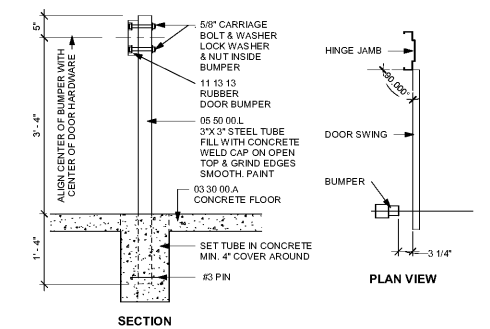
5 MILLWORK SECTION
A502 1" = 1'-0"



6 ALUM. WINDOW SECTION
A502 1" = 1'-0"



7 ALUMINUM WINDOW ELEVATION (AL01)
A502 1/2" = 1'-0"



SECTION
POST MOUNTED DOOR BUMPER

1 POST MOUNTED DOOR BUMPER DETAIL
A502 3/4" = 1'-0"

Order Plans

WWW.LDLINE.COM

SA&E PROJECT NUMBER	01-632-056
BID PACKAGE	BP-1
ISSUED FOR CONSTRUCTION	FEB. 4, 2020
REVISIONS	
R #	Doc #
1	AD01
Date	02/13/2020
Southern AE 7951 Truon Circle Austell, Ga 30168 (770) 519-7777 architects & engineers	

FACILITY CODE NUMBER: 672-0109
 (6) CLASSROOM ADDITION TO:
CREEKSIDE MIDDLE SCHOOL
 CATAULA, GEORGIA
HARRIS COUNTY BOARD OF EDUCATION
 HAMILTON, GEORGIA

WINDOW ELEVATIONS & MISC. DETAILS

	DRAWING NUMBER
	A502