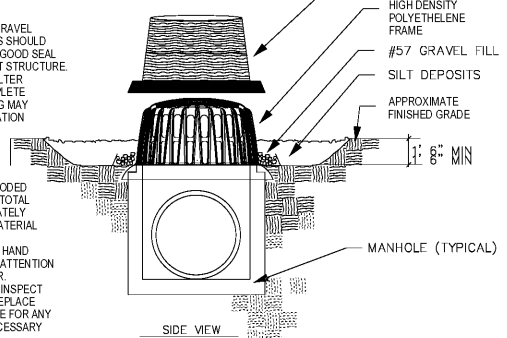


Sd1-S SILT FENCE-TYPE SENSITIVE
NOT TO SCALE

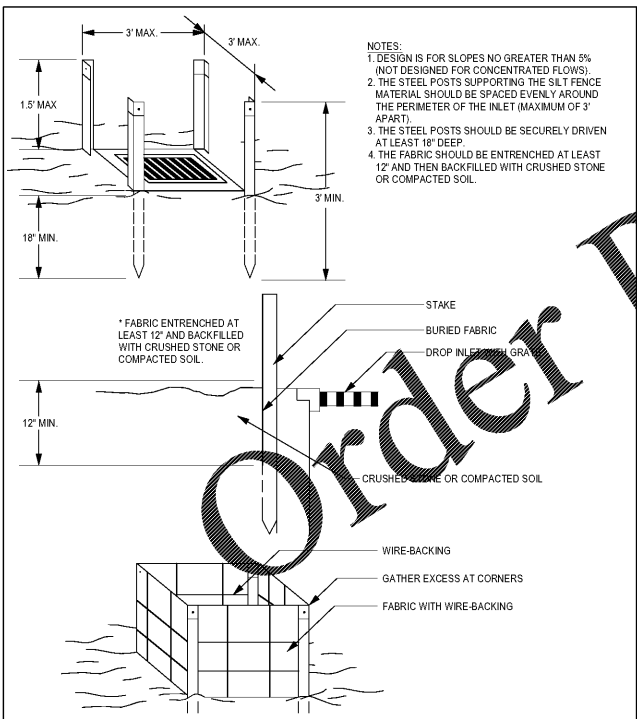
TYPICAL CONSTRUCTION SEQUENCE FOR SILT-SAVER FRAME & FILTER ASSEMBLY

- EXCAVATE APPROXIMATELY 4" TO 6" BELOW THE TOP OF THE INLET STRUCTURE.
- PLACE THE FRAME ONTO THE INLET STRUCTURE, ENSURE THE FRAME COVERS STRUCTURE COMPLETELY.
- PLACE THE FILTER OVER THE FRAME.
- FILL THE FILTER POCKETS WITH #57 GRAVEL OR EQUIVALENT. THE FILTER POCKETS SHOULD BE COMPLETELY FILLED TO ENSURE A GOOD SEAL BETWEEN THE GROUND AND THE INLET STRUCTURE.
- BACKFILL AROUND THE FRAME AND FILTER ASSEMBLY IS NOT REQUIRED TO COMPLETE INSTALLATION; HOWEVER BACKFILLING MAY BE NECESSARY TO COMPLETE EXCAVATION REQUIREMENTS FOR THE SITE.



- MAINTENANCE REQUIREMENTS FOR SILT-SAVER FRAME AND FILTER ASSEMBLY
- MAINTENANCE IS REQUIRED WHEN ERODED SOILS REACH A POINT OF 65% OF THE TOTAL HEIGHT OF THE FRAME OR APPROXIMATELY 7 TO 9 INCHES OF THE GREY FILTER MATERIAL IS SHOWING.
 - REMOVE THE IMPACTED MATERIAL BY HAND OR MACHINE METHOD, PAYING CLOSE ATTENTION NOT TO DAMAGE THE FRAME OR FILTER.
 - BRUSH, SWEEP OR WASH FILTER AND INSPECT FOR ANY CUTS AND/OR ABRASIONS. REPLACE FILTER AS NECESSARY. INSPECT FRAME FOR ANY STRESS OR DAMAGE. REPLACE AS NECESSARY.
 - REFILL FILTER POCKETS, BACKFILL AS REQUIRED BY JOBSITE CONDITIONS.

Sd2 ALTERNATIVE SEDIMENT BARRIER
NOT TO SCALE



Sd2-F FABRIC & SUPPORTING FRAME DETAIL
NOT TO SCALE

AS REQUIRED AS PART OF NPDES PERMIT GART00001 USE ALTERNATIVE SEDIMENT BARRIER AT GRADE INLETS SHOWN ON SHEET D501

1. GENERAL NOTES:
- REFER TO SPECIFICATIONS SECTION 02930, LAWN AND GRASSES.
 - ALL SODDING SHALL BE CERTIFIED TURFGRASS SOD COMPLYING WITH ASPA SPECIFICATIONS FOR MACHINE-CUT THICKNESS, SIZE, STRENGTH, MOISTURE CONTENT, AND MOWED HEIGHT, AND FREE OF WEEDS AND UNDESIRABLE NATIVE GRASSES.
 - CONTRACTOR SHALL PROVIDE VIABLE SOD OF UNIFORM DENSITY, COLOR, AND TEXTURE OF THE FOLLOWING TURFGRASS SPECIES, STRONGLY, STRONGLY ROOTED, AND CAPABLE OF VIGOROUS GROWTH AND DEVELOPMENT WHEN PLANTED.
 - TURFGRASS SOD SPECIES SHALL BE TIFWAY BERMUDA 419 (HARVEST, DELIVER, STORE, AND HANDLE, SOD ACCORDING TO THE REQUIREMENTS OF THE AMERICAN SOD PRODUCERS ASSOCIATION'S (ASPA) "SPECIFICATION FOR TURFGRASS SOD MATERIALS AND TRANSPLANTING/INSTALLING".
2. INSTALLATION NOTES:
- LAY SOD WITHIN 24 HOURS OF ORDERING.
 - DO NOT LAY SOD IF DRAINAGE OR FROZE OR OVERLY WET.
 - LAY SOD TO FORM A MASS WITH TIGHT, BUTTED JOINTS. BUTT ENDS AND SIDES OF SOD. DO NOT BUTT OR OVERLAP. TAGGER AND STRIPS OR STRIPS TO COSET JOINTS IN ADJACENT COURSES.
 - NO DAMAGE TO SUBGRADE OR SOD DURING INSTALLATION.
 - TIGHT AND ROUGHLY LEVEL AND ENSURE CONTACT WITH SUBGRADE. ELIMINATE AIR POCKETS AND FORM SMOOTH SURFACE.
 - WORK WITH FINE SAND INTO MINOR CRACKS BETWEEN PIECES OF SOD. REMOVE EXCESS TO AVOID SMOTHERING SOD AND ADJACENT GRASSES.
 - LAY SOD AT CROSS ANGLE OF SLOPES EXCEEDING 3:1.
 - ANCHOR SOD ON SLOPES EXCEEDING 6:1 WITH WOOD PEGS SPACED AS RECOMMENDED BY SOD MANUFACTURER BUT NOT LESS THAN 2 ANCHORS PER SOD STRIP TO PREVENT SLIPPAGE.
3. MAINTENANCE NOTES:
- BEGIN MAINTENANCE OF SODDED LAWNS IMMEDIATELY AFTER EACH AREA IS PLANTED.
 - MAINTENANCE AND ESTABLISH LAWNS IMMEDIATELY BY WATERING, FERTILIZING, WEEDING, MOWING, TRIMMING, REPLANTING, AND OTHER OPERATIONS.
4. WATERING NOTES:
- SATURATED SOD WITH FINE WATER SPRAY WITHIN 2 HOURS OF PLANTING.
 - DURING FIRST WEEK, WATER DAILY OR MORE FREQUENTLY AS NECESSARY TO MAINTAIN SOIL TO A MINIMUM DEPTH OF 1-1/2 INCHES BELOW THE SOD.
 - CONTRACTOR TO PROVIDE AND MAINTAIN TEMPORARY PIPING, HOSES, AND LAWN-WATERING EQUIPMENT TO CONVEY WATER FROM SOURCES AND TO KEEP LAWNS UNIFORMLY MOIST TO A DEPT OF 4 INCHES.
 - WATERING NOTES AT THE MINIMUM RATE OF 1 INCHES PER WEEK.
5. MOWING NOTES:
- MOW LAWNS AS THERE IS ENOUGH TOP GROWTH TO CUT WITH MOWER SET AT SPECIFIC HEIGHT FOR PRINCIPAL SPECIES PLANTED.
 - REPEAT MOWING AS REQUIRED TO MAINTAIN SPECIFIED HEIGHT WITHOUT CUTTING MORE THAN 40% OF THE GRASS HEIGHT.
 - REMOVE NO MORE THAN 40% OF THE GRASS-LEAF GROWTH IN INITIAL OR SUBSEQUENT MOWINGS.
 - DO NOT DELAY MOWING UNTIL GRASS BLADES BEND OVER AND BECOME MATTED.
 - DO NOT MOW WHEN GRASS IS WET.
 - SCHEDULE INITIAL OR SUBSEQUENCE MOWING TO MAINTAIN GRASS HEIGHT OF 2 TO 3 INCHES.
6. POST-FERTILIZATION NOTES:
- APPLY FERTILIZER TO LAWN AFTER FIRST MOWING AND WHEN GRASS IS DRY.
 - USE FERTILIZER WITH 10-10-10 CONTENT OF NITROGEN, PHOSPHOROUS, AND POTASSIUM.

Ds4 SODDING DETAIL
NOT TO SCALE

Du DUST CONTROL DETAIL
NOT TO SCALE

FERTILIZER, LIME AND MULCH REQUIREMENTS FOR GRASSING						
SPECIES	YEAR	N-P-K	RATE	LIME RATE	HAY/STRAW RATE ⁷	
COOL SEASON GRASSES	FIRST	6-12-12	1500 LBS/AC	2,000 LBS/AC	2.5 TONS/AC	Ds3
	SECOND	6-12-12	1000 LBS/AC			Ds4
MAINTENANCE	FIRST	6-12-12	1500 LBS/AC	2,000 LBS/AC	2.5 TONS/AC	Ds3
	SECOND	6-12-12	1000 LBS/AC			Ds4
COOL SEASON GRASSES AND LEGUMES	FIRST	6-12-12	1500 LBS/AC	2,000 LBS/AC	2.5 TONS/AC	Ds3
	SECOND	6-12-12	1000 LBS/AC			Ds4
MAINTENANCE	FIRST	6-12-12	1500 LBS/AC	2,000 LBS/AC	2.5 TONS/AC	Ds3
	SECOND	6-12-12	1000 LBS/AC			Ds4
GROUND COVER	FIRST	10-10-10	1300 LBS/AC ³	2,000 LBS/AC	2.5 TONS/AC	Ds2
	SECOND	10-10-10	1300 LBS/AC ³			Ds2
MAINTENANCE	FIRST	10-10-10	1300 LBS/AC ³	2,000 LBS/AC	2.5 TONS/AC	Ds2
	SECOND	10-10-10	1100 LBS/AC			Ds2
TEMPORARY COVER CROPS SEEDED ALONE	FIRST	10-10-10	500 LBS/AC	2,000 LBS/AC	2.5 TONS/AC	Ds2
	SECOND	10-10-10	500 LBS/AC			Ds2
WARM SEASON GRASSES	FIRST	6-12-12	1500 LBS/AC	2,000 LBS/AC	2.5 TONS/AC	Ds3
	SECOND	6-12-12	800 LBS/AC			Ds4
MAINTENANCE	FIRST	6-12-12	1500 LBS/AC	2,000 LBS/AC	2.5 TONS/AC	Ds3
	SECOND	6-12-12	800 LBS/AC			Ds4
WARM SEASON GRASSES AND LEGUMES	FIRST	6-12-12	1500 LBS/AC	2,000 LBS/AC	2.5 TONS/AC	Ds3
	SECOND	6-12-12	800 LBS/AC			Ds4
MAINTENANCE	FIRST	6-12-12	1500 LBS/AC	2,000 LBS/AC	2.5 TONS/AC	Ds3
	SECOND	6-12-12	800 LBS/AC			Ds4

- NOTES:
- APPLY IN SPRING FOLLOWING SEEDING
 - APPLY IN SPLIT APPLICATIONS WHEN HIGH RATES ARE USED
 - APPLY IN 3 SPLIT APPLICATIONS
 - APPLY WHEN PLANTS ARE PRUNED
 - APPLY TO GRASS SPECIES ONLY
 - MULCH SHALL BE APPLIED TO COVER 75% OF THE GROUND MIN.

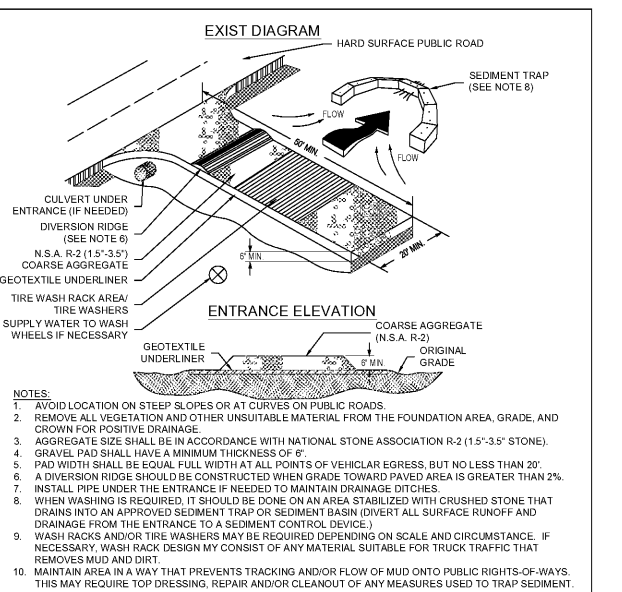
Ds2 Ds3 DISTURBED AREA STABILIZATION (WITH TEMPORARY & PERMANENT) GRASSING DETAIL
NO SCALE

HARRIS COUNTY PLANTING ZONES	PLANTING DATES	POUNDS OF SEED PER ACRE										REQUIRED PERMANENT PLANT
		ANNUAL RYE GRASS	CHICKPEA	BERMUDA GRASS	SHRUBBER	BERMUDA GRASS	BERMUDA GRASS	BERMUDA GRASS	BERMUDA GRASS	BERMUDA GRASS	BERMUDA GRASS	
1B	MARCH 1 TO MAY 15	10	50	4	60							TALL RESCUE OR COMMON BERMUDAGRASS
	MARCH 1 TO MAY 15	10	10	6								COMMON BERMUDAGRASS
	MAY 16 TO JULY 31	10	10									COMMON BERMUDAGRASS
	AUG. 1 TO FEB. 29	15										NONE (TEMPORARY GRASSES) (2)
1A	FEB. 15 TO APRIL 30	10	10	6								COMMON BERMUDAGRASS
	MAY 1 TO AUG. 15	10	10									COMMON BERMUDAGRASS
	AUG. 16 TO FEB. 14	15										NONE (TEMPORARY GRASSES) (2)
	FEB. 15 TO APRIL 15	10	10	6								COMMON BERMUDAGRASS
2	APRIL 16 TO AUG. 31	10	10									COMMON BERMUDAGRASS
	SEPT. 1 TO FEB. 14	15										NONE (TEMPORARY GRASSES) (2)
	FEB. 15 TO APRIL 30	10	10									COMMON BERMUDAGRASS
	MAR. 15 TO AUG. 15	10	10									CENTIPEDGRASS (1)
3	SEPT. 1 TO FEB. 14	15										NONE (TEMPORARY GRASSES) (2)
	FEB. 15 TO APRIL 30	10	10									COMMON BERMUDAGRASS
	MAR. 15 TO AUG. 15	10	10									CENTIPEDGRASS (1)
	SEPT. 1 TO FEB. 14	15										NONE (TEMPORARY GRASSES) (2)
4	FEB. 15 TO APRIL 30	10	10									COMMON BERMUDAGRASS
	MAR. 15 TO AUG. 15	10	10									CENTIPEDGRASS (1)
	SEPT. 1 TO FEB. 14	15										NONE (TEMPORARY GRASSES) (2)
	FEB. 15 TO APRIL 30	10	10									COMMON BERMUDAGRASS

- THESE COMBINATIONS SHALL BE PLANTED ON BACK SLOPES, FILL SLOPES AND AREAS WHICH WILL NOT BE SUBJECT TO FREQUENT MOWING
- CENTIPEDGRASS IS TO BE PLANTED ONLY WHERE SHOWN ON THE PLANS.
 - SEE SUBSECTION 700.04F OF THE GEORGIA DEPARTMENT OF TRANSPORTATION (G.D.O.T.) "STANDARD SPECIFICATIONS FOR ROAD AND BRIDGE CONSTRUCTION, 2001, OR CURRENT EDITION.
 - ANY LOVEGRASS OTHER THAN ON NONMOWABLE (STEEP) SLOPES SHALL BE REMOVED AT NO ADDITIONAL COST TO THE OWNER.
 - IF IN THE OPINION OF SOUTHERN A&E, LLC, EROSION CONTROL CAN BEST BE PROVIDED BY PLANTING TEMPORARY GRASS DURING WINTER, 15 POUNDS PER ACRE OF ANNUAL RYEGRASS SHALL BE PLANTED IN ACCORDANCE WITH SUBSECTION 700.04F FROM NOV. 15 TO FEB. 15. SEE NOTE (2), ABOVE, AND PROJECT SPECIFICATION SECTION "32.92.00" "LAWN AND GRASSES".

COUNTY: BANKS, BARROW, BARTOW, CARROL, CHEROKEE, DAWSON, ELBERT, FLOYD, FORSYTH, FRANKLIN, GORDON, GWINNETT, HALL, HARALSON, HART, JACKSON, MADISON, PAULDING, PICKENS, POLK, STEPHENS.

- ZONE 1A: CLAYTON, COBB, DEKALB, DOUGLAS, FULTON, ROCKDALE.
- ZONE 1B: CATOOSA, CHATTOOGA, DADE, FANNIN, GILMER, HABERSHAM, LUMPKIN, MURRAY, RABUN, TOWNS, UNION, WALKER, WHITE, WHITFIELD.
- ZONE 2: BALDWIN, BUTTS, CLARKE, COLUMBIA, COWETA, FAYETTE, GREENE, HANCOCK, HARRIS, HEARD, HENRY, JASPER, HONES, LAMAR, LINCOLN, MCDUFFIE, MERWETHER, MONROE, MORGAN, NEWTON, OCONEE, OGLETHORPE, PIKE, PUTNAM, SPALDING, TALIAFERRO, TALBOT, TROUP, UPSON.
- ZONE 3: BAKER, BEN HILL, BLECKLEY, BROOKS, BURKE, CLAY, CHATTAHOOCHEE, COLQUITT, CRISP, DODGE, DOOLY, EARLY, EVANS, JEFFERSON, LAURENS, MILLER, MITCHELL, MUSCOGEE, PULASKI, RICHMOND, SCHLEY, TAYLOR, TERRELL, TIFT, WASHINGTON, WEBSTER, WHEELER, WILCOX, WILKINSON.
- ZONE 4: APPLING, ATKINSON, BACON, BRYAN, CAMDEN, CHARLTON, CHATHAM, CLINCH, COFFEY, ECHOLS, EFFINGHAM, GLYNN, LIBERTY, LONG, MCINTOSH, WARE.



Co CONSTRUCTION EXIT DETAIL
NOT TO SCALE

SA&E PROJECT NUMBER: 01-632-056
 BID PACKAGE: BP-1
 ISSUED FOR CONSTRUCTION: FEB. 4, 2020

Southern A&E ARCHITECTS & ENGINEERS
 7951 Tronox Circle
 Columbus, GA 31916
 (770) 819-7777

FACILITY CODE NUMBER: (6) CLASSROOM ADDITIONS TO: CREEKSIDE MIDDLE SCHOOL
 CATAULA, GA
 HARRIS COUNTY BOARD OF EDUCATION
 HAMILTON, GA

ES & PC DETAILS

DRAWING NUMBER: C301