

Design and construction documents are instruments of service, and shall remain the property of Michael Crislip Architect. The use of the drawings for purposes other than the specific project and/or location for which they were prepared is strictly prohibited without the written consent of Michael Crislip Architect.

PANEL:		MAIN:		VOLTAGE:		120/208	
AR (EXISTING)		3 PHASE		4 WIRE		100 BUS AMPS	
MOUNTING:		SURFACE		LOCATION:		ELECTRICAL ROOM	
FEED THRU LUGS:		NO		ISOLATED GROUND BUS:		NO	
CKT	NOTE	BKR	LOAD DESCRIPTION	KVA	AP	BP	CP
1	EX	50/2	AIR COMPRESSOR	2.9	5.4		0.0
3				2.9		5.4	0.0
5	EX	20/1	RCPT	0.4			0.8
7	EX	20/1	OVERHEAD DOOR	1.9	1.9		0.0
9				0.0		0.4	0.0
11				0.0			0.8
13	20/1	RCPT - PARTS ROOM	0.8	0.0		0.2	0.0
15	20/1	RCPT - PARTS ROOM	0.2		0.0		0.0
17	20/1	SPARE	0.0		0.0	0.4	0.0
19				0.0	0.0		0.0
21				0.0		0.0	0.0
23				0.0		0.0	0.0
25				0.0	0.0		0.0
27				0.0		0.0	0.0
29				0.0		0.0	0.0
31				0.0	0.0		0.0
33				0.0		0.0	0.0
35				0.0		0.0	0.0
37				0.0	0.0		0.0
39				0.0		0.0	0.0
41				0.0		0.0	0.0

NOTES:
 L HANDLE LOCK
 GF1 GROUND FAULT INTERRUPTING
 AF1 ARC FAULT INTERRUPTING
 CD CONTINUOUS DUTY
 H HACR RATED

TOTAL KVA PER PHASE: 7.3 5.8 1.8
 TOTAL KVA: 14.7
 TOTAL AMPS: 40.8

PANEL:		MAIN:		VOLTAGE:		120/208	
LA1 (TUB 1 OF 2) (EXISTING)		3 PHASE		4 WIRE		400 BUS AMPS	
MOUNTING:		SURFACE		LOCATION:		ELECTRICAL ROOM	
FEED THRU LUGS:		NO		ISOLATED GROUND BUS:		YES	
CKT	NOTE	BKR	LOAD DESCRIPTION	KVA	AP	BP	CP
1				0.0	1.9		1.9
3	EX	20/1	COPIER	1.0		2.9	
5	EX	20/1	SECURITY SYSTEM	1.0			1.9
7				1.0	3.5		2.5
9	EX	20/2	UH-1	1.0		3.5	
11				1.0		1.3	0.0
13	EX	30/2	PRESSURE WASH	2.5	3.4		2.9
15				2.5		5.4	
17	EX	20/1	RCPT - OUTSIDE	0.6		3.5	2.9
19	EX	30/2	PRESSURE WASH	2.5	4.4		1.9
21				2.5		2.9	0.4
23	EX	20/1	RCPT	1.2		2.0	
25	EX	20/1	POPCORN POPPER	1.5	4.4		2.9
27	EX	20/1	SECURITY MONITOR	1.4		3.9	2.9
29	EX	20/1	RCPT - RTUS	1.0		4.3	2.9
31	EX	20/1	MINITUBES	1.9	4.4		2.5
33				0.0		2.5	
35	EX	20/1	RCPT - FRONT COUNTER	0.6		0.6	
37	EX	20/1	RCPT - FRONT COUNTER	0.8	1.0		0.2
39	EX	20/1	RCPT - FRONT COUNTER	0.8		1.4	0.6
41	20/1	SPARE	0.0			0.5	0.0

NOTES:
 L HANDLE LOCK
 GF1 GROUND FAULT INTERRUPTING
 AF1 ARC FAULT INTERRUPTING
 CD CONTINUOUS DUTY
 H HACR RATED

TOTAL KVA PER PHASE: 45.0 48.7 34.2
 TOTAL KVA: 127.9
 TOTAL AMPS: 355.0

PANEL:		MAIN:		VOLTAGE:		277/480	
MDP (EXISTING)		3 PHASE		4 WIRE		600 BUS AMPS	
MOUNTING:		SURFACE		LOCATION:		ELECTRICAL ROOM	
FEED THRU LUGS:		NO		ISOLATED GROUND BUS:		NO	
CKT	NOTE	BKR	LOAD DESCRIPTION	KVA	AP	BP	CP
1	EX	50/3	RTU-1	9.5	54.5		45.0
3				9.5		58.2	46.7
5				9.5		43.7	34.2
7	EX	50/3	RTU-2	9.5	21.3		11.8
9				9.5		24.1	14.6
11				9.5		27.5	18.0
13	EX	50/3	RTU-3	9.5	9.5		0.0
15				9.5		9.5	0.0
17				9.5		9.5	0.0
19	EX	50/3	RTU-4	9.5	9.5		0.0
21				9.5		9.5	0.0
23				9.5		9.5	0.0
25	EX	30/3	RTU-5	5.5	5.5		0.0
27				5.5		5.5	0.0
29				5.5		5.5	0.0
31	EX	20/3	RTU-6	3.2			0.0
33				3.2		3.2	0.0
35				3.2		3.2	0.0
37	EX	15/3	RTU-7	2.0			0.0
39				2.0		2.0	0.0
41				2.0		2.0	0.0

NOTES:
 L HANDLE LOCK
 GF1 GROUND FAULT INTERRUPTING
 AF1 ARC FAULT INTERRUPTING
 CD CONTINUOUS DUTY
 H HACR RATED

TOTAL KVA PER PHASE: 105.5 112.0 100.9
 TOTAL KVA: 318.4
 TOTAL AMPS: 383.0

PANEL:		MAIN:		VOLTAGE:		120/208	
GEN (EXISTING)		100A MAIN CIRCUIT BREAKER		BUS AMPS: 100			
MOUNTING:		SURFACE		LOCATION:		ELECTRICAL ROOM	
FEED THRU LUGS:		NO		ISOLATED GROUND BUS:		NO	
CKT	NOTE	BKR	LOAD DESCRIPTION	KVA	AP	BP	CP
1	20/1	RCPT - OPERATIONS	0.6	1.7			1.1
3	20/1	RCPT - OPERATIONS	0.6		2.0		1.4
5	20/1	RCPT - OPERATIONS	0.6		2.0		1.4
7	20/1	RCPT - OPERATIONS	0.8			2.2	1.4
9	20/1	RCPT - OPERATIONS	0.4	1.4			1.0
11	20/1	GEN BATTERY CHARGER	0.6		0.6		0.0
13	20/1	WATER HEATER	0.6	0.6			0.0
15	20/1	SLIDING DOOR VESTIBULE	0.5		0.8		0.8
17	20/1	RCPT - FRONT DESK	0.8		2.0		1.2
19	20/1	RCPT - DOOR HOLDERS	0.4			1.8	1.2
21	20/1	SLIDING DOOR SALES	0.5	0.0			0.8
23	20/1	OH COOLING DOOR SALES	1.9			0.0	0.8
25	20/1	OH COOLING DOOR PREP	1.9	0.0			0.0
27		SPACE	0.0		0.0		0.0
29		SPACE	0.0		0.0		0.0
31		SPACE	0.0		0.0		0.0
33		SPACE	0.0		0.0		0.0
35		SPACE	0.0		0.0		0.0
37		SPACE	0.0		0.0		0.0
39		SPACE	0.0		0.0		0.0
41		SPACE	0.0		0.0		0.0

NOTES:
 L HANDLE LOCK
 GF1 GROUND FAULT INTERRUPTING
 AF1 ARC FAULT INTERRUPTING
 CD CONTINUOUS DUTY
 H HACR RATED

TOTAL KVA PER PHASE: 7.7 7.2 7.2
 TOTAL KVA: 14.9
 TOTAL AMPS: 71.6

PANEL:		MAIN:		VOLTAGE:		120/208	
LA1 (TUB 2 OF 2) (EXISTING)		3 PHASE		4 WIRE		400 BUS AMPS	
MOUNTING:		SURFACE		LOCATION:		ELECTRICAL ROOM	
FEED THRU LUGS:		NO		ISOLATED GROUND BUS:		YES	
CKT	NOTE	BKR	LOAD DESCRIPTION	KVA	AP	BP	CP
43	EX	20/2	DOCK LEVELER	1.7	2.3		0.6
45				1.7		3.2	1.5
47	EX	20/2	DOCK LEVELER	1.7		3.2	1.5
49				1.7	3.2		1.5
51	EX	20/1	RCPT - STAGING AREA	0.6		2.1	1.5
53	EX	20/1	REFRIGERATOR	1.0			1.2
55	EX	20/1	RCPT - KITCHEN	1.5	2.7		1.2
57	EX	20/1	KITCHEN	0.8			1.2
59	EX	20/1	WATER COOLER	0.6		1.0	0.0
61	EX	20/1	WATER COOLER	0.6	3.9		2.9
63	EX	20/1	RCPT - KITCHEN	0.8		3.7	2.9
65				0.4		3.3	2.9
67				0.4	0.4		0.0
69				0.4		0.8	0.0
71				0.8		0.4	0.0
73	20/1	RCPT - ELECTRICAL ROOM	0.4			7.3	7.3
75	EX	20/1	RCPT - TELEPHONE BOARD	0.2		6.0	5.8
77	EX	20/1	VESTIBULE SIGN	1.2		2.8	1.8
79				0.0	0.0		0.0
81	EX	100/2	PANEL GEN	7.7		7.7	0.0
83				7.2		7.2	0.0

NOTES:
 L HANDLE LOCK
 GF1 GROUND FAULT INTERRUPTING
 AF1 ARC FAULT INTERRUPTING
 CD CONTINUOUS DUTY
 H HACR RATED

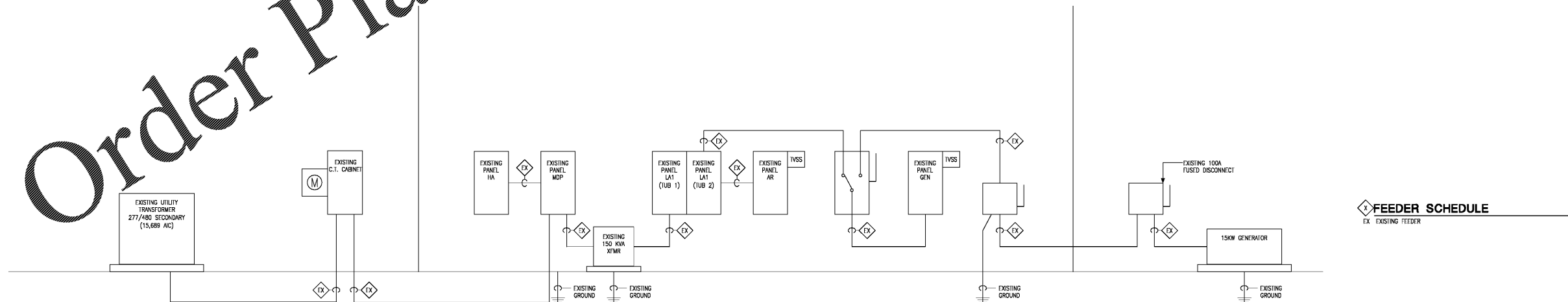
TOTAL KVA PER PHASE: 20.0 26.2 20.1
 TOTAL KVA: 66.3
 TOTAL AMPS: 184.0

PANEL:		MAIN:		VOLTAGE:		277/408	
LA (EXISTING)		3 PHASE		4 WIRE		200 BUS AMPS	
MOUNTING:		SURFACE		LOCATION:		ELECTRICAL ROOM	
FEED THRU LUGS:		NO		ISOLATED GROUND BUS:		NO	
CKT	NOTE	BKR	LOAD DESCRIPTION	KVA	AP	BP	CP
1				0.0	3.5		3.5
3	20/1	SPARE	0.0		2.5		2.5
5	20/1	SPARE	0.0			3.2	3.2
7	20/1	SPARE	0.0		2.5		2.5
9	20/1	SPARE	0.0			3.5	3.5
11	20/1	SPARE	0.0			2.5	2.5
13				0.0	3.5		3.5
15				0.0		2.5	2.5
17				0.0		3.5	3.5
19				0.0	1.8		1.8
21				0.0		1.4	1.4
23				0.0		3.1	3.1
25				0.0	0.5		0.5
27				0.0		1.5	1.5
29				0.0		1.2	1.2
31				0.0	0.0		0.0
33				0.0		3.2	3.2
35				0.0		4.5	4.5
37				0.0	0.0		0.0
39				0.0		0.0	0.0
41				0.0		0.0	0.0

NOTES:
 L HANDLE LOCK
 GF1 GROUND FAULT INTERRUPTING
 AF1 ARC FAULT INTERRUPTING
 CD CONTINUOUS DUTY
 H HACR RATED

TOTAL KVA PER PHASE: 11.6 14.6 18.0
 TOTAL KVA: 44.4
 TOTAL AMPS: 123.2

Order Plans @ www.wadl.com



FEEDER SCHEDULE
 EX EXISTING FEEDER

NOTE TO BIDDERS/CONTRACTORS:
 THESE DRAWINGS WERE PREPARED AS ACCURATELY AS POSSIBLE. IT SHALL BE THE RESPONSIBILITY OF THE CONTRACTOR TO FIELD VERIFY ALL EXISTING CONDITIONS PRIOR TO THE BIDDING AND COMMENCEMENT OF THE PROPOSED PROJECT. CLAIMS FOR EXTRAS RESULTING FROM LACK OF COMPLIANCE WILL BE DENIED.