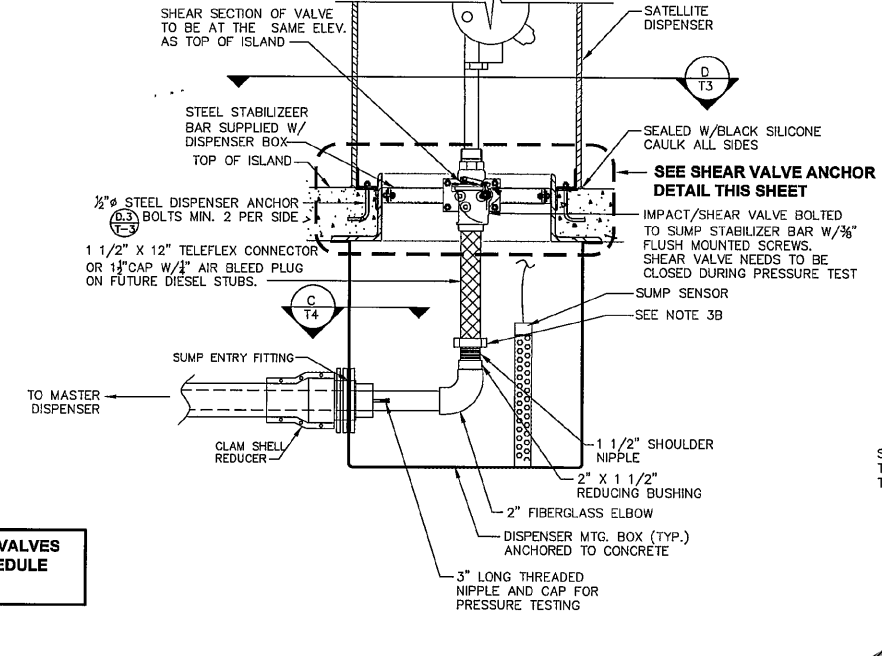
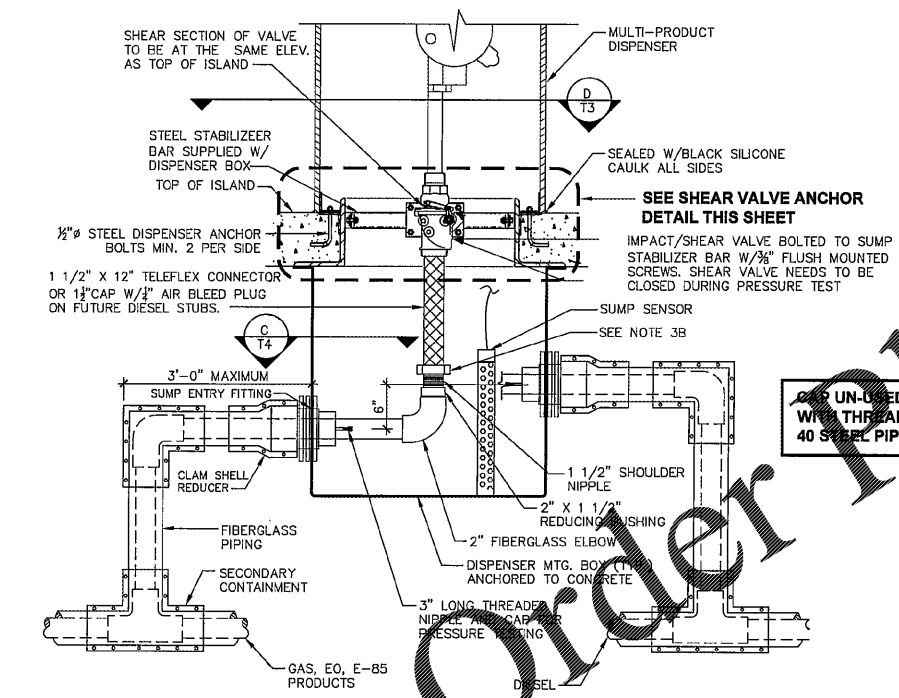


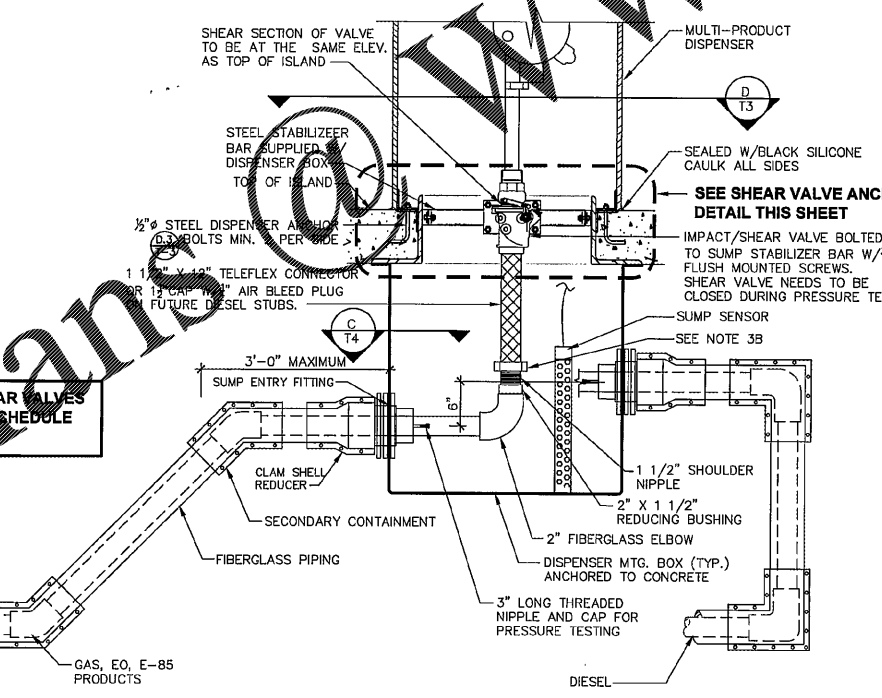
D INTERMEDIATE DISPENSER CONNECTION DETAIL - TRUCK ISLANDS
 T1.1 * SEE NOTES, SHEET RT-T4.1 & T5.0 N.T.S.



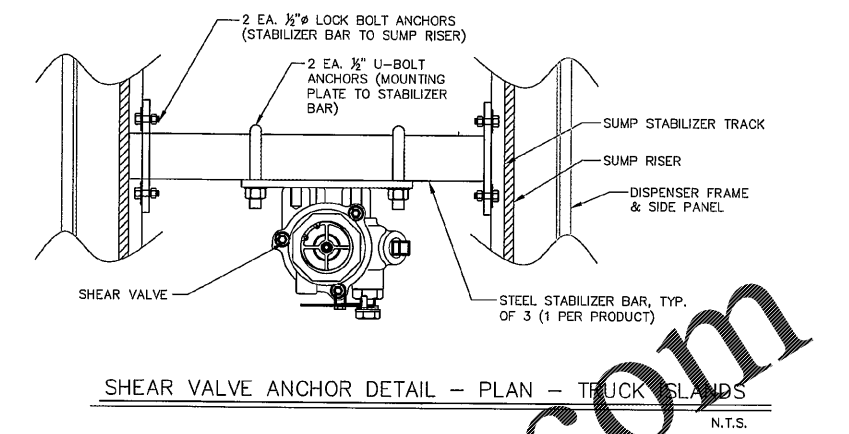
E END DISPENSER CONNECTION DETAIL - TRUCK ISLANDS
 T1.1 * SEE NOTES, SHEET RT-T4.1 & T5.0 N.T.S.



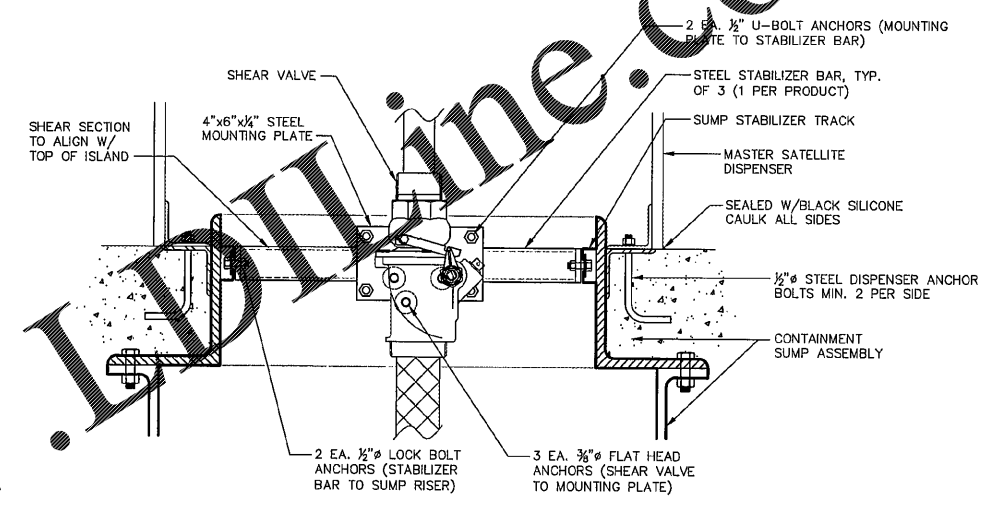
B INTERMEDIATE DISPENSER CONNECTION DETAIL - AUTO ISLANDS
 T1.0 * SEE NOTES, SHEET RT-T4.1 & T5.0 N.T.S.



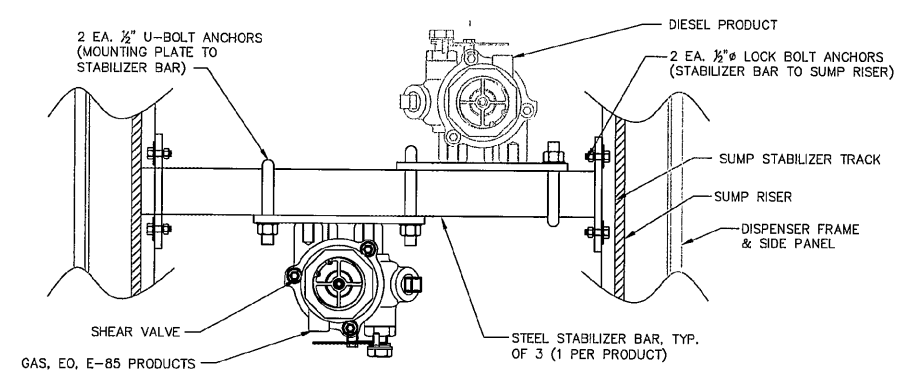
C END DISPENSER CONNECTION DETAIL - AUTO ISLANDS
 T1.0 * SEE NOTES, SHEET RT-T4.1 & T5.0 N.T.S.



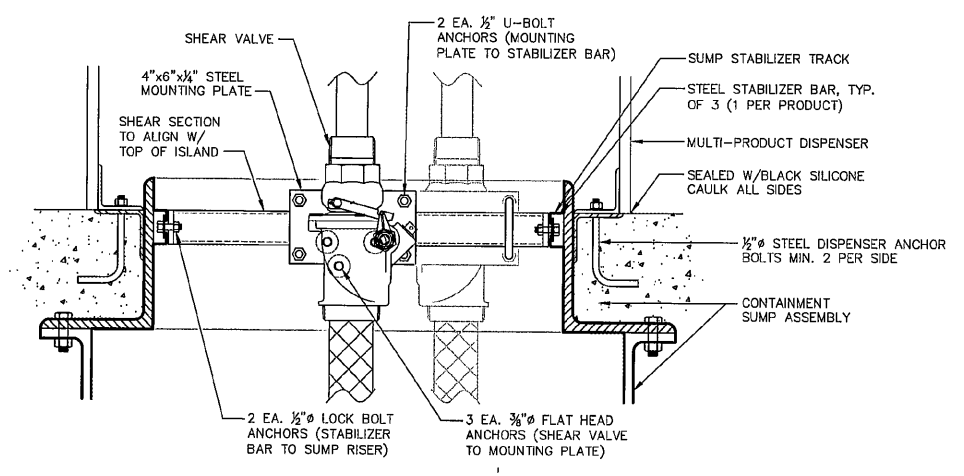
SHEAR VALVE ANCHOR DETAIL - PLAN - TRUCK ISLANDS
 N.T.S.



SHEAR VALVE ANCHOR DETAIL - ELEVATION - TRUCK ISLANDS
 N.T.S.



SHEAR VALVE ANCHOR DETAIL - PLAN - AUTO ISLANDS
 N.T.S.



SHEAR VALVE ANCHOR DETAIL - ELEVATION - AUTO ISLANDS
 N.T.S.

CAP UN-USED SHEAR VALVES
 WITH THREADED SCHEDULE
 40 STEEL PIPE CAP

CAP UN-USED SHEAR VALVES
 WITH THREADED SCHEDULE
 40 STEEL PIPE CAP

ISSUE/REVISION RECORD	DATE	DESCRIPTION

RaceTrac
 RACETRAC PETROLEUM, INC.
 2225 CUMBERLAND BOULEVARD
 SUITE 100
 ATLANTA, GEORGIA 30339
 (770) 431-7600

PROJECT NAME
HWY 316 @ 81

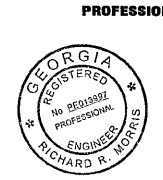
**BETHLEHEM
 GEORGIA
 839 LOGANVILLE HWY**

RACETRAC PROJECT NUMBER
1304

PLAN SERIES
2011 BR-RH-M90 0801

PLAN MODIFICATION NOTICE
 NO MODIFICATIONS APPLIED
 MODIFICATIONS APPLY
 SPB NO. N/A DATE N/A

STANDARD PLAN BULLETINS (SPB) MODIFY
 THE PLAN SERIES SET NOTED ABOVE. THE
 SPB GIVEN ABOVE REPRESENTS THE
 LATEST MODIFICATION INCORPORATED TO
 THIS PLAN SERIES SET. CONTACT
 RACETRAC ENGINEERING AND
 CONSTRUCTION FOR ALL BULLETINS.



RICHARD R. MORRIS
 GA REG # PE013997

PROJECT NUMBER
18213

SHEET TITLE
**DISPENSER
 SUMP DETAILS**

SHEET NUMBER
RT-T4.0

ISSUED FOR CONSTRUCTION