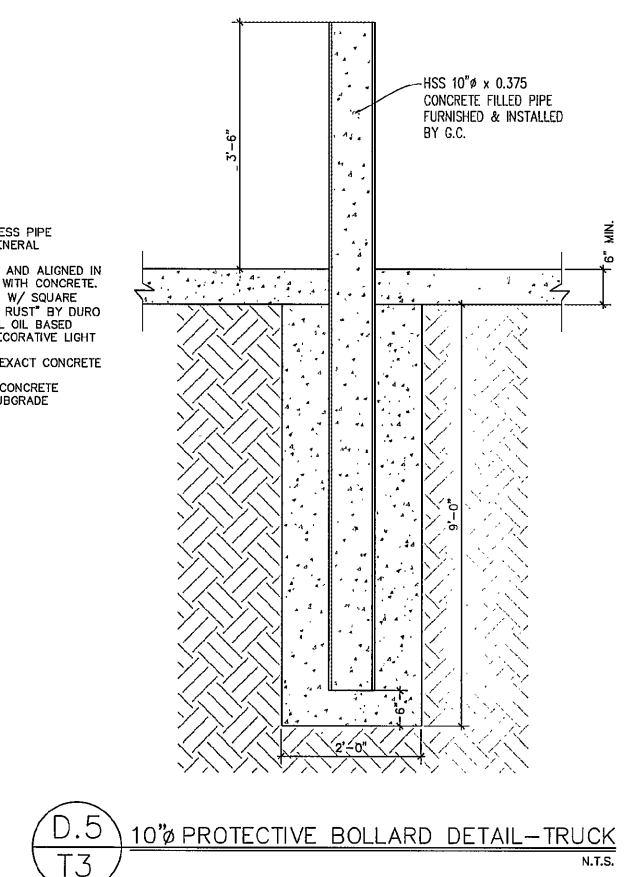
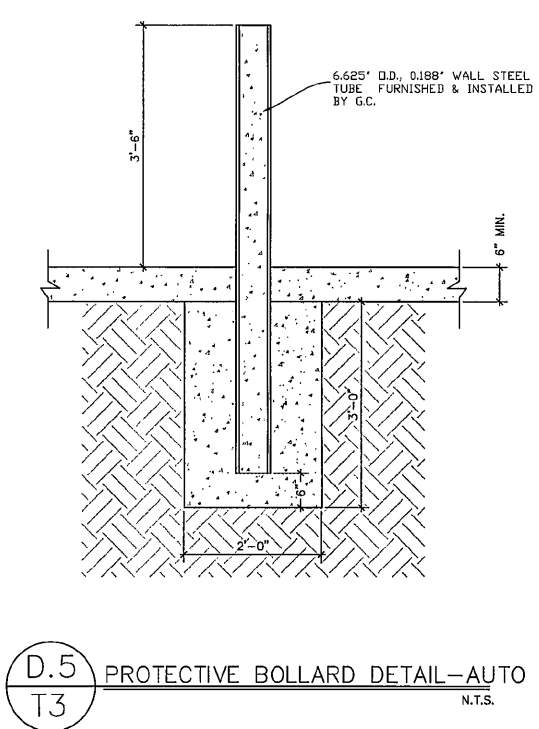
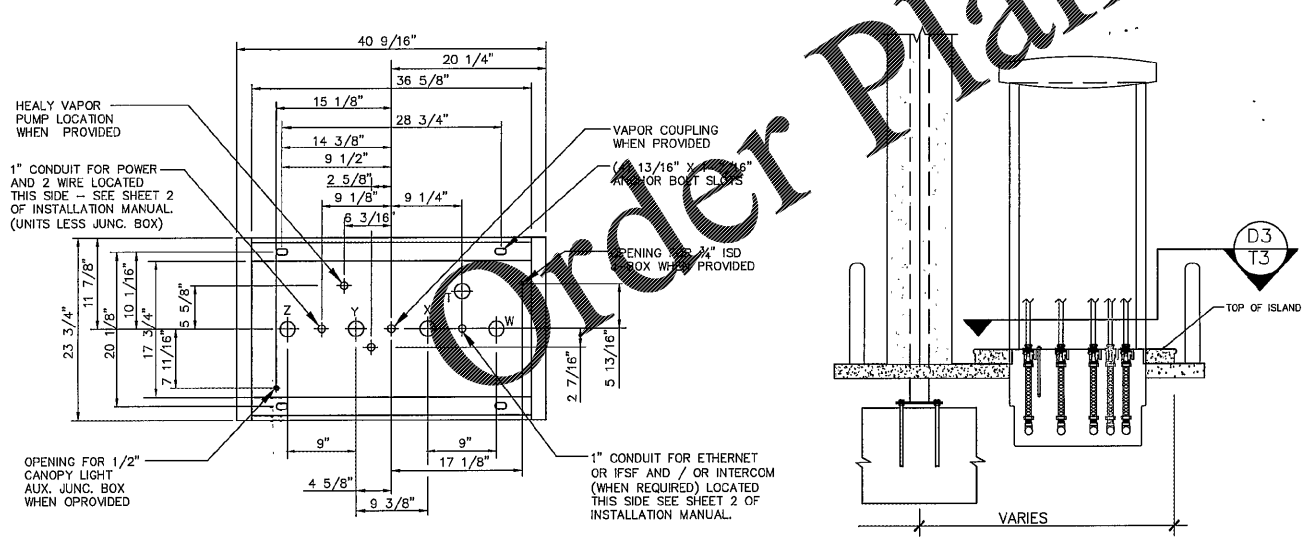


NOTES:

- FUEL NOZZLES TO BE UL LISTED, SEE SPECIFICATION SHEET T-4.
- FUEL HOSE BREAKAWAYS TO BE UL LISTED, SEE SPECIFICATION SHEET T-4.
- SHEAR VALVE TO BE RIGIDLY ANCHORED, SEE SPECIFICATION SHEET T-4.
- FACILITY SHALL BE PROVIDED WITH NFPA 30A, 9.2.5.2/NFPA 10 HIGH FLOW FIRE EXTINGUISHER: AMEREX MODEL NO. 760, 4A:60B:C, 20 LB CAPACITY, OR EQUAL, WITHIN 100 FT OF ALL DISPENSING PUMPS & FILL PIPE OPENINGS.



| ISSUE/REVISION RECORD | DATE | DESCRIPTION |
|-----------------------|------|-------------|
| | | |
| | | |
| | | |
| | | |
| | | |
| | | |
| | | |
| | | |
| | | |
| | | |

Racetrac
 RACETRAC PETROLEUM, INC.
 3226 CUMBERLAND BOULEVARD
 SUITE 100
 ATLANTA, GEORGIA 30339
 (770) 451-7400

PROJECT NAME
HWY 316 @ 81

BETHLEHEM GEORGIA
839 LOGANVILLE HWY

RACETRAC PROJECT NUMBER
1304

PLAN SERIES
2011 BR-RH-M90 0801

PLAN MODIFICATION NOTICE

- NO MODIFICATIONS APPLIED
- MODIFICATIONS APPLY

STANDARD PLAN BULLETINS (SPB) MODIFY THE PLAN SERIES SET NOTED ABOVE. THE SPB GIVEN ABOVE REPRESENTS THE LATEST MODIFICATION INCORPORATED TO THIS PLAN SERIES SET. CONTACT RACETRAC ENGINEERING AND CONSTRUCTION FOR ALL BULLETINS.



PROFESSIONAL SEAL
 RICHARD R. MORRIS
 GA REG # PE013987

PROJECT NUMBER
18213

SHEET TITLE
DISPENSER ISLAND DETAILS
SHEET NUMBER

RT-T3.0
 ISSUED FOR CONSTRUCTION

DEC 13 2018