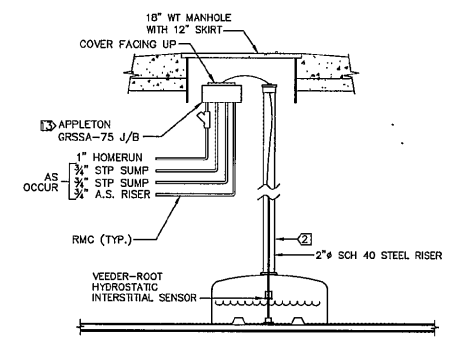


AUDIBLE OVERFILL ALARM TO BE SET AT 90% TANK CAPACITY

TANK OVERFILL PREVENTION ALARM & TANK LEVEL MONITOR

A
T2

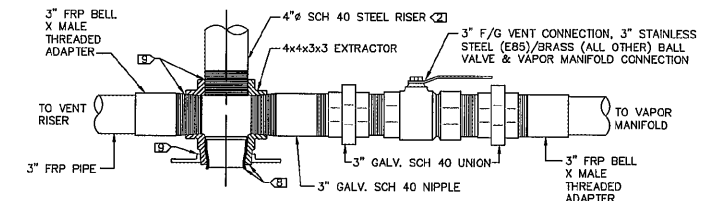
N.T.S.



UST INTERSTITIAL MONITOR

G4
T2

N.T.S.



VAPOR CROSS CONNECTOR

B1
T2

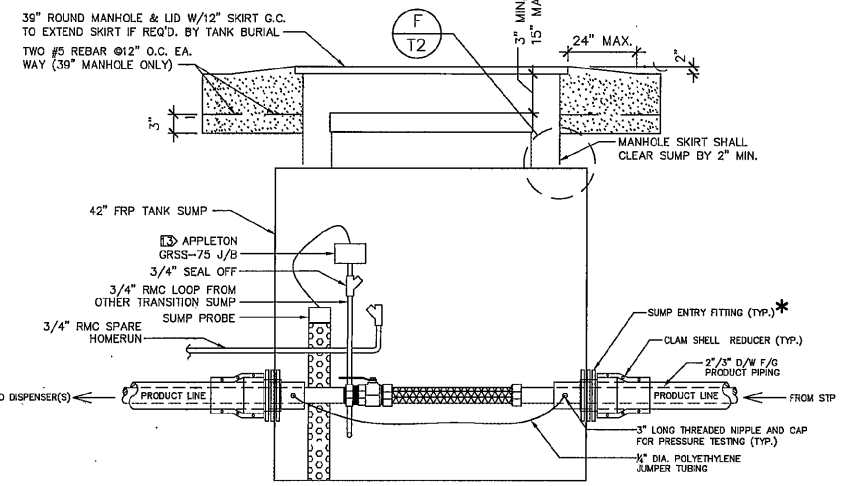
N.T.S.

- NOTES:**
- INSTALL IDENTIFICATION MARKER.
 - THOROUGHLY HAND CLEAN WITH WIRE BRUSH. APPLY COAL TAR. WRAP WITH TEST 3M TAPE.
 - INSTALL GROUNDING CONNECTOR TO RISER.
 - ALL REMOTE STAGE 1 VAPOR RECOVERY PIPE AND FITTINGS SHALL BE FRP.
 - MAINTAIN 7" MINIMUM COVER BETWEEN SLAB BOTTOM AND TOP OF FRP PIPE/FITTINGS.
 - SLOPE @ MINIMUM OF 1/8" PER FOOT
 - 4" Ø G.I. NIPPLE, STAGE ONE VR DRY BREAK AND LOCKING CAP. MAINTAIN 1-1/2" TO 2" BETWEEN CAP AND PRODUCT CONTAINER COVER. USE STABILIZER BALL SUPPLIED WITH OVERFILL CONTAINER TO ESTABLISH CORRECT FINISHED ELEVATION.

***LEAK DETECTOR SPECIFICATIONS**
 MANUFACTURER: FEEDER-TECH
 PIPE: POLYURETHANE LINE LEAK DETECTOR
 FOR USE: FIBER OPTIC PUMPS
 MODEL NUMBER: 82480-001
 OPERATING TEMP.: -25' TO +130'F
 COMPATIBLE FUELS: UNLEADED GASOLINE, UNLEADED GASOLINE, 5% METHANOL, 95% UNLEADED, 10% ETHANOL, 90% UNLEADED, DIESEL, KEROSENE, JET FUEL, AVIATION GASOLINE
 LINE FLOW RATE: 120 GPM MAX
 DESIGN: INTRINSICALLY SAFE
 OPERATING RANGE: 0-80 PSI
 PROOF PRESSURE: 200 PSI

- DO NOT USE THREAD SEALANT ON THREADS COMMON TO CAGE & BASE. WHEN INSTALLING CAGE INTO BASE, LUBRICATE THREADS WITH LIGHT COATING OF GREASE. DO NOT OVERTIGHTEN.
- APPLY APPROVED THREAD SEALANT.
- BLANK
- BLANK
- SINGLE BRASS BALL VALVE, FLEX CONNECTOR & ELBOW ASSEMBLY IN EACH REG., PREM. & DSL. STP SUMP.
- SINGLE STAINLESS STEEL BALL VALVE, FLEX CONNECTOR & ELBOW ASSEMBLY IN E85 STP SUMP.
- EXPLOSION PROOF BOX MOUNTED SO THAT ACCESS OPENING FACING UP.
- SPACE BETWEEN TOP OF CAP AND LID TO BE MIN. 3" CLEAR.

HYDROSTATIC TIGHTNESS TESTING
 (AFTER ALL PENETRATIONS HAVE BEEN COMPLETED)
 DISPENSER PAN/SUMP & STP SUMPS:
 FILL CHAMBER WITH WATER. MONITOR WATER LEVEL FOR ONE HOUR. INSPECT ALL PENETRATIONS FOR TIGHTNESS. CORRECT ANY LEAKS AND RE-TEST AS REQUIRED.
 NOTE: OWNER'S ENGINEER SHALL WITNESS TESTING

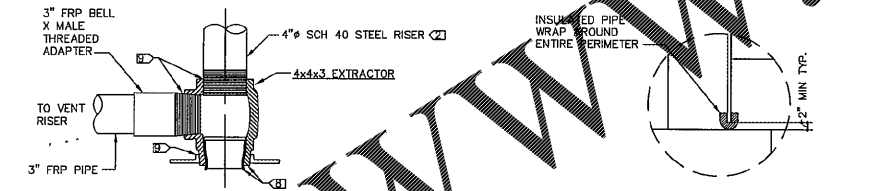


*TEST BOOTS SHALL BE SITUATED TO ALLOW FLUID TO FLOW INTO SUMPS

TRANSITION SUMP DETAIL

H3
T2

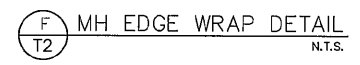
N.T.S.



VAPOR CROSS CONNECTOR

B3
T2

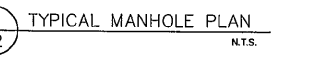
N.T.S.



MH EDGE WRAP DETAIL

F
T2

N.T.S.

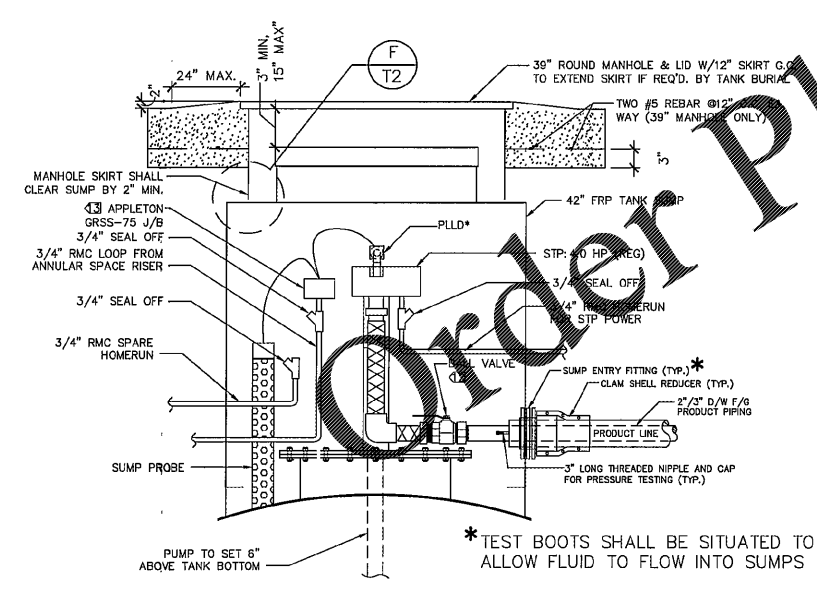


TYPICAL MANHOLE PLAN

E
T2

N.T.S.

- NOTES:**
- PROVIDE 2 #5 BARS IN DIAMOND SHAPE FOR SUMP PUMP MANHOLES. SEE DETAIL H. THIS PAGE.
 - TOP OF MANHOLE SLOPE TO MATCH FINISH GRADE SLOPE. CONTACT RACETRAC REPRESENTATIVE PRIOR TO MANHOLE SETUP.

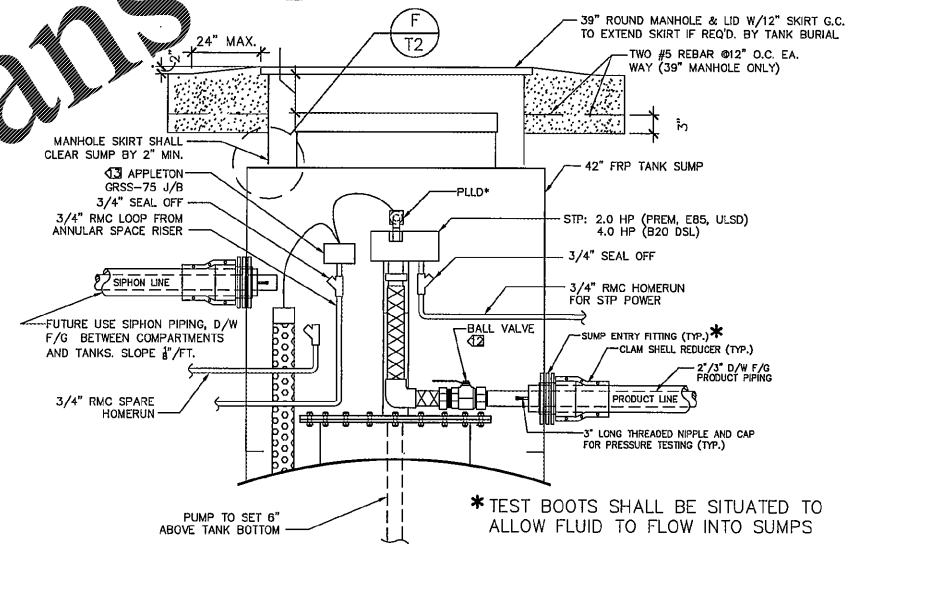


*TEST BOOTS SHALL BE SITUATED TO ALLOW FLUID TO FLOW INTO SUMPS

SUBMERGED PUMP SUMP DETAIL (REG.)

H1
T2

N.T.S.

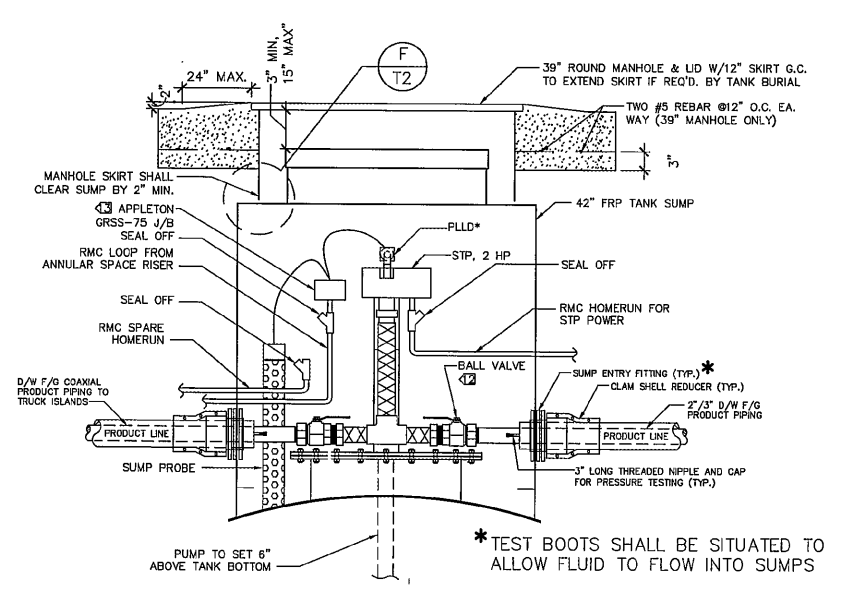


*TEST BOOTS SHALL BE SITUATED TO ALLOW FLUID TO FLOW INTO SUMPS

SUBMERGED PUMP SUMP DETAIL (PREM, E85, ULSD, B20)

H2
T2

N.T.S.



*TEST BOOTS SHALL BE SITUATED TO ALLOW FLUID TO FLOW INTO SUMPS

SUBMERGED PUMP SUMP DETAIL (B100)

H4
T2

N.T.S.

Racetrac
 RACETRAC PETROLEUM, INC.
 2225 CUMBERLAND BOULEVARD
 SUITE 100
 ATLANTA, GEORGIA 30389
 (770) 451-7600

PROJECT NAME
HWY 316 @ 81

BETHLEHEM GEORGIA 839 LOGANVILLE HWY

RACETRAC PROJECT NUMBER
1304

PLAN SERIES
2011 BR-RH-M90 0801

PLAN MODIFICATION NOTICE
 NO MODIFICATIONS APPLIED
 MODIFICATIONS APPLY
 SPB NO. N/A DATE N/A
 STANDARD PLAN BULLETINS (SPB) MODIFY THE PLAN SERIES SET NOTED ABOVE. THE SPB GIVEN ABOVE REPRESENTS THE LATEST MODIFICATION INCORPORATED TO THIS PLAN SERIES SET. CONTACT RACETRAC ENGINEERING AND CONSTRUCTION FOR ALL BULLETINS.

PROFESSIONAL SEAL



RICHARD R. MORRIS
 GA REG # PE013997

PROJECT NUMBER
18213

SHEET TITLE
U/G TANK EQUIPMENT

SHEET NUMBER
RT-T2.0

ISSUED FOR CONSTRUCTION

DEC 13 2010