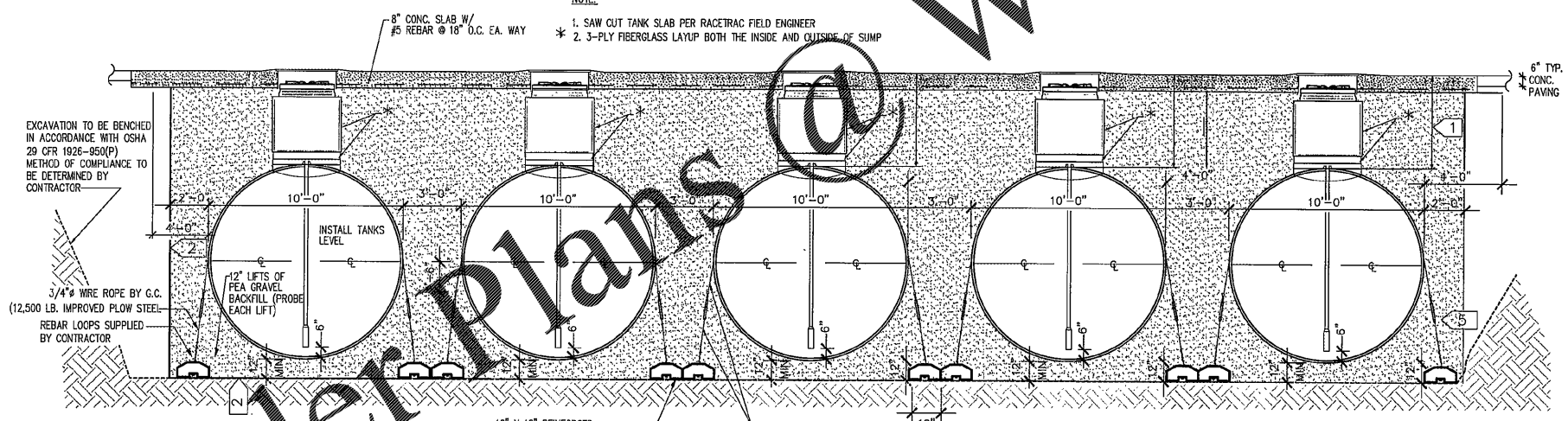


**E** LONGITUDINAL TANK SECTION  
 T1.0 24,000 GALLON TANK 3/8"=1'-0"

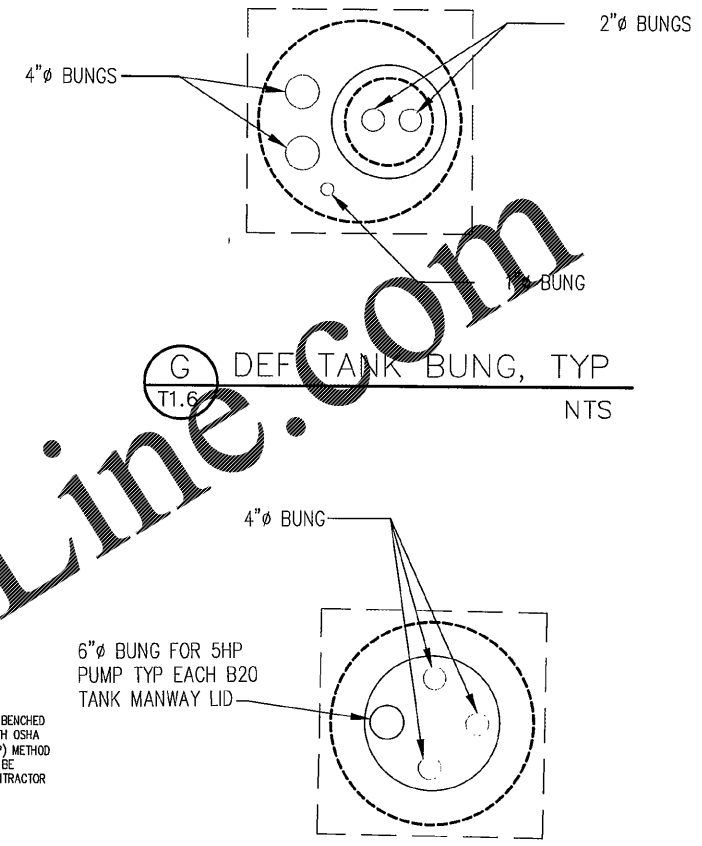
EXCAVATION TO BE BENCHMARKED IN ACCORDANCE WITH OSHA 29 CFR 1926-950(P) METHOD OF COMPLIANCE TO BE DETERMINED BY CONTRACTOR

- NOTE:
1. SAW CUT TANK SLAB PER RACETRAC FIELD ENGINEER
  2. 3-PLY FIBERGLASS LAYUP BOTH THE INSIDE AND OUTSIDE OF SUMP

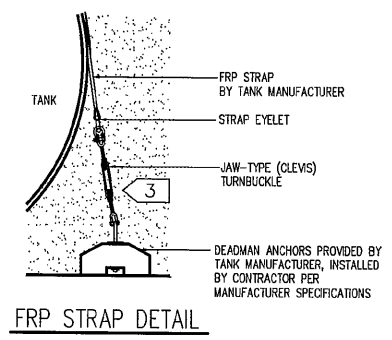


- 1 4" MINIMUM COVER. DEPTH TO INCREASE AS REQUIRED TO MAINTAIN 1/8" PER FOOT FALL ON VAPOR RECOVERY LINE FROM ISLAND TO MANIFOLD.
- 2 ALL TANK PITS AND PIPE TRENCHES TO BE LINED WITH FILTER FABRIC CLOTHS AND LAPPED OVER THE TOP OF BURIED TANKS AND PIPES PRIOR TO BACKFILLING.
- 3 UNIFORMLY TIGHTEN EACH ANCHOR STRAP WITH TURNBUCKLES STRAP MUST BE SNUG WITHOUT CAUSING TANK DEFLECTION. CHECK DEFLECTION BEFORE AND AFTER SECURING STRAPS. APPLY HEAVY BITUMINOUS COATING TO TURNBUCKLES AND ATTACHMENTS TO PREVENT CORROSION.

\* ALL RISER PIPES & FITTINGS ARE TO BE COATED WITH A BITUMINOUS PAINTING AND WRAPPED W/3M TAPE FOR CORROSION PROTECTION---SEE NOTES SHEET-T4.0  
 \*\* CONFIRM BURIAL DEPTH WITH RACETRAC PROJECT MANAGER



**H** B20 TANK BUNG  
 T1.6 NTS



**F** TYPICAL TANKFIELD SECTION AND ANCHORING DETAILS  
 T1.0 1/4"=1'-0"

ISSUE/REVISION RECORD	DATE	DESCRIPTION

**Racetrac**  
 RACETRAC PETROLEUM, INC.  
 3228 CUMBERLAND BOULEVARD  
 SUITE 100  
 ATLANTA, GEORGIA 30339  
 (770) 451-7400

PROJECT NAME  
**HWY 316 @ 81**

**BETHLEHEM  
 GEORGIA  
 839 LOGANVILLE HWY**

RACETRAC PROJECT NUMBER  
**1304**

PLAN SERIES  
**2011 BR-RH-M90 0801**

PLAN MODIFICATION NOTICE

NO MODIFICATIONS APPLIED  
 MODIFICATIONS APPLY

STANDARD PLAN BULLETINS (SPB) MODIFY THE PLAN SERIES SET NOTED ABOVE. THE SPB GIVEN ABOVE REPRESENTS THE LATEST MODIFICATION INCORPORATED TO THIS PLAN SERIES SET. CONTACT RACETRAC ENGINEERING AND CONSTRUCTION FOR ALL BULLETINS.



RICHARD R. MORRIS  
 GA REG # PE013997

PROJECT NUMBER  
**18213**

SHEET TITLE  
**U/G TANK SECTIONS**

SHEET NUMBER  
**RT-T1.6**

ISSUED FOR CONSTRUCTION