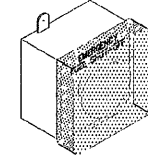
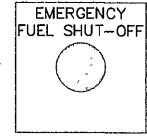
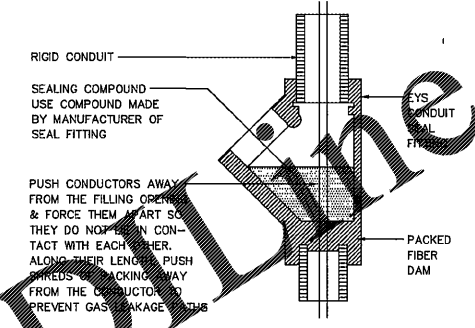


EMERGENCY FUEL SHUT OFF

SIGN SHALL HAVE WHITE LETTERS, MINIMUM 1" IN HEIGHT, ON RED BACKGROUND



42" AFG
 FINISHED GRADE
EMERGENCY FUEL SHUT-OFF
 NTS



PUSH CONDUCTORS AWAY FROM THE FILLING OPERATIONS AND FORCE THEM AWAY SO THEY DO NOT BE IN CONTACT WITH EACH OTHER. ALONG THEIR LENGTH, PUSH WIRES CHECKING AWAY FROM THE CONDUCTORS TO PREVENT GAS LEAKAGE.
 NOTE: SEAL-OFFS TO BE INSTALLED PER NEC 514.9 AND NEC 514.9(A)&(B)
SEAL FITTING INSTALLATION
 NTS

WARNING

IT IS UNLAWFUL & DANGEROUS TO DISPENSE GASOLINE INTO UNAPPROVED CONTAINERS.
 NO SMOKING.
 STOP MOTOR.
 NO FILLING OF PORTABLE CONTAINERS IN OR ON A MOTOR VEHICLE.

NFPA 30A 9.2.5.4 WARNING SIGNS, TYP. EA. DISPENSER

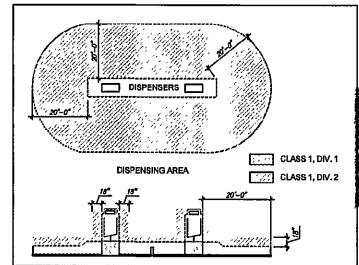
SIGNS SHALL BE CONSPICUOUSLY POSTED IN DISPENSING AREA AND INCORPORATE THE ABOVE OR EQUIVALENT WORDING

EMERGENCY INSTRUCTIONS

IN CASE OF FIRE OR SPILL:
 1. USE EMERGENCY STOP BUTTON.
 2. REPORT ACCIDENT BY CALLING (SPECIFY LOCAL FIRE NUMBER) ON THE PHONE. REPORT LOCATION.

NFPA 30A 9.5.3 EMERGENCY INSTRUCTIONS, TYP. EA. DISP.

SIGNS SHALL BE CONSPICUOUSLY POSTED IN DISPENSING AREA AND INCORPORATE THE ABOVE OR EQUIVALENT WORDING



NFPA 514.3 CLASSIFIED AREAS

TANK, PIPING & INSTALLATION NOTES:

- ALL PETROLEUM EQUIPMENT, MATERIALS, AND ACCESSORIES SHALL BE NEW, INSTALLED AND TESTED IN ACCORDANCE WITH APPLICABLE MANUFACTURER'S INSTRUCTIONS.
- ALL TANK AND PIPING INSTALLATION WORK IS TO BE PERFORMED BY A STATE REGISTERED POLLUTANT STORAGE SPECIALTY CONTRACTOR.
- ALL WORK SHALL BE PERFORMED IN ACCORDANCE WITH APPLICABLE GA STATE, COUNTY, MUNICIPAL REQUIREMENTS AND THE FOLLOWING REFERENCE STANDARDS:
 NATIONAL FIRE PROTECTION ASSOCIATION:
 1 FIRE CODE
 30 FLAMMABLE AND COMBUSTIBLE LIQUID CODE 2012 EDITION
 30A MOTOR FUEL DISPENSING FACILITIES & REPAIR GARAGE 2012
 329 UNDERGROUND LEAKAGE OF FLAMMABLE & COMBUSTIBLE LIQUIDS
 70 NATIONAL ELECTRIC CODE, 2011 EDITION
 AMERICAN PETROLEUM INSTITUTE:
 1615 INSTALLATION OF UNDERGROUND PETROLEUM STORAGE SYSTEMS
 1604 RECOMMENDED PRACTICE FOR ABANDONMENT OR REMOVAL OF USED U.G. STORAGE TANKS
 PETROLEUM EQUIPMENT INSTITUTE:
 RP100 RECOMMENDED PRACTICES FOR INSTALLATION OF U.G. LIQUID STORAGE TANKS
 OCCUPATIONAL SAFETY AND HEALTH ADMINISTRATION:
 CONSTRUCTION SAFETY AND HEALTH REGULATIONS SUBPART P, 1902.50
 1926.65

THE CONTRACTOR SHALL BE RESPONSIBLE FOR SCHEDULING UNDERGROUND UTILITIES IDENTIFICATION BY CONTACTING SUNSHINE ONE CALL (1-800-485-7770) AND APPLICABLE MUNICIPAL JURISDICTION AT LEAST 48 HOURS PRIOR TO START OF CONSTRUCTION.

THE CONTRACTOR SHALL BE RESPONSIBLE FOR GIVING REQUIRED NOTICE(S) AND SCHEDULING APPLICABLE CITY, COUNTY AND/OR STATE INSPECTIONS AS REQUIRED FOR PERMIT CLOSE OUT(S).

ELECTRICAL NOTES:

- N.E.C. ARTICLE 500 & 514 CONDITIONS FOR HAZARDOUS AREAS AND FUEL DISPENSING FACILITIES APPLY.
- PROVIDE EXPLOSION PROOF SEALS-OFFS IN ACCORDANCE WITH ARTICLES 500, 501 AND 514 (CLASS 1, DIVISION 1 & 2) NATIONAL ELECTRICAL CODE TYPICAL FOR ALL CONDUITS IN CLASS 1 LOCATIONS, INCLUDING LOW VOLTAGE CONDUITS.
- ALL CONDUITS IN CLASS 1 LOCATIONS SHALL BE GROUNDED AS PER NEC 250.100 & 501.30.
- SEE DETAIL SHEETS RT-T1.1 & RT-T7.0 ATTACHED AND BUILDING/ELECTRICAL FOR PANEL SCHEDULES, LOAD AND CIRCUIT DETAILS.

N.F.P.A. NOTES:

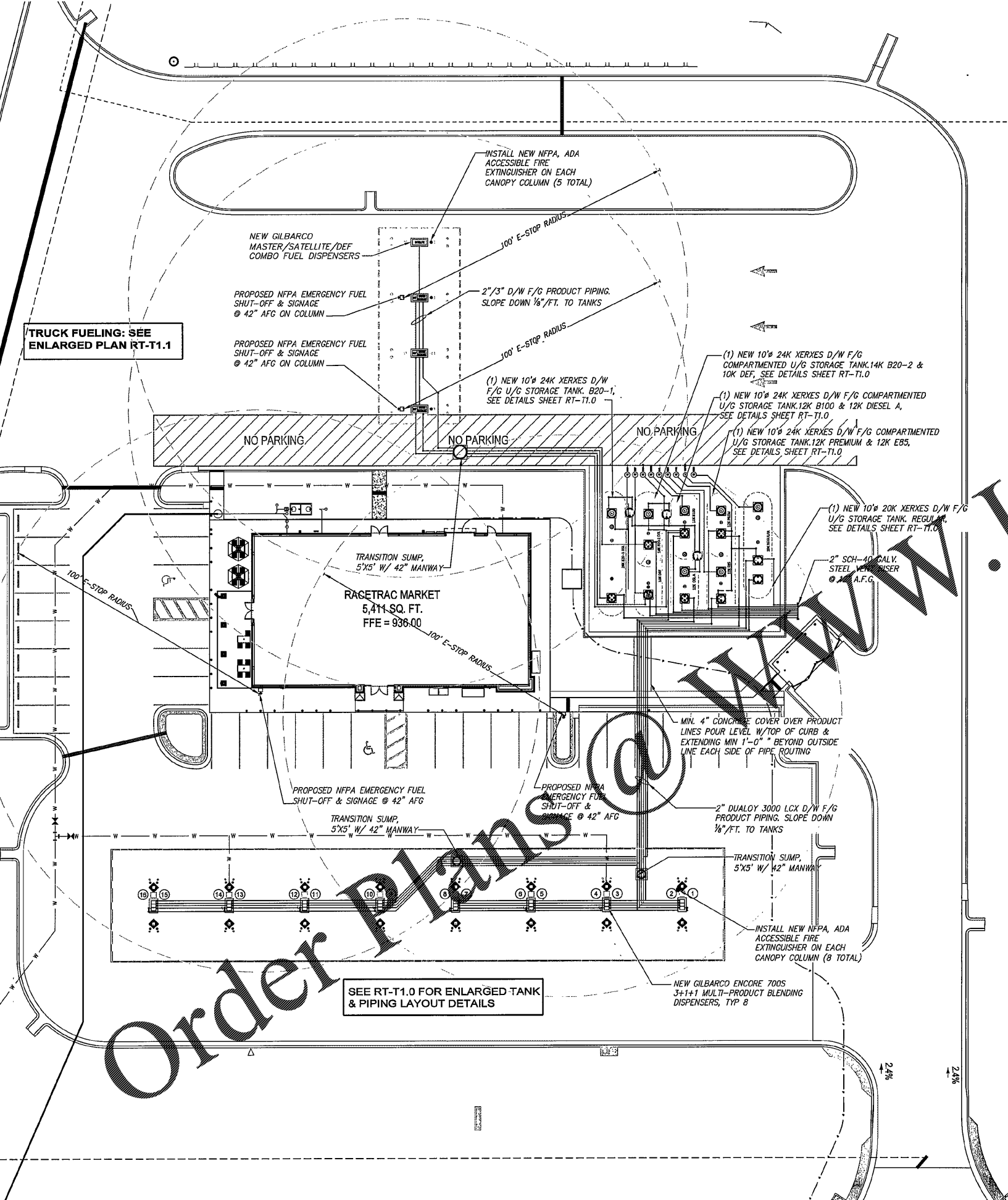
- CASHER/ATTENDANT'S VIEW OF DISPENSING AREA SHALL REMAIN UNOBSTRUCTED & ONE ATTENDANT SHALL BE ON DUTY AT ALL TIMES PER NFPA 30A, 9.4.2.
- NEW NOZZLES TO BE EQUIPPED WITH AUTOMATIC SHUT-OFFS PER CONSISTENT WITH NFPA 30A, 6.6.1.
- NFPA 30A, 9.2.5.2/NFPA 10 HIGH FLOW FIRE EXTINGUISHER: AMEREX MODEL NO. 760, 4A:60R.C, 20 LBS CAPACITY OR EQUAL, ARE PROVIDED WITHIN 100 FT OF ALL DISPENSING PUMPS & FILL PIPE OPENINGS.
- EMERGENCY CONTROLS ARE PROVIDED AT LOCATION AS PER NFPA 30A, 6.7 (NOT MORE THAN 100 FT FOR ATTENDED SELF-SERVICE DISPENSING AREA & MORE THAN 20 FT BUT LESS THAN 100 FT FOR UNATTENDED).
- NFPA 30A, 9.2.5.4: "NO SMOKING...TURN OFF ENGINE" SIGNAGE IS PROVIDED @ EA. FUEL ISLAND.
- NFPA 30A, 9.5.3: "EMERGENCY INSTRUCTIONS" SIGNAGE IS PROVIDED @ EA. FUEL ISLAND, SEE COPY BELOW.
- THE AUTHORITY HAVING JURISDICTION SHALL BE GIVEN ADVANCE NOTIFICATION OF THE TIME AT WHICH ACCEPTANCE TESTS FOR ALL SAFETY-RELATED PRODUCT CONTROL EQUIPMENT ARE TO BE PERFORMED SO THAT THE AUTHORITY CAN WITNESS THE TEST, PER NFPA 1, 4.5.6.6.

PIPING NOTES:

- NEW UNDERGROUND PRODUCT PIPING TO BE A.O. SMITH RED THREAD II FIBERGLASS FUEL PIPING, SEE LEGEND SHEET RT-T1.0
- PRODUCT LINES AND VENT LINES TO SLOPE MIN. 1/8" PER FOOT DOWN TO UNDERGROUND TANKS.
- NEW FIBERGLASS PIPING TO BE INSTALLED IN ACCORDANCE WITH MANUFACTURER'S REQUIREMENTS FOR PIPE INSTALLATION, DESIGN DETAILS & SPECIFICATIONS AS SHOWN ON THESE DRAWINGS.

TANK NOTES:

- TANKS TO BE XERXES DOUBLE-WALL FIBERGLASS UL-1316. SEE SHEETS RT-TA.0 & RT-T11.0 FOR CALL-OUT.
- TANKS TO BE INSTALLED IN ACCORDANCE WITH NFPA 30, CHAPTER 23 AND MANUFACTURER'S REQUIREMENTS FOR INSTALLATION DESIGN DETAILS (RT-T1.0 THRU RT-TA.0) & SPECIFICATIONS (RT-T5.0) AS SHOWN ON THESE DRAWINGS.
- TOP OF TANK TO SET @ 4'-0" (MIN.) BELOW FINISH GRADE.
- TANKS TO BE ANCHORED W/CONCRETE DEADMEN.
- PRIMARY OVERFILL PROTECTION: VEEDER ROOT AUDIBLE OVERFILL ALARM SET AT 90% TANK CAPACITY SEE DETAILS SHEET RT-T2.0 & RT-T11.0



TRUCK FUELING: SEE ENLARGED PLAN RT-T1.1

Order Plans @ www.liveline.com

FUEL SYSTEM PLAN
 SCALE: 1" = 20'-0"

ISSUE/REVISION RECORD	DATE	DESCRIPTION

Racetrac
 RACETRAC PETROLEUM, INC.
 3225 CUMBERLAND BOULEVARD
 SUITE 100
 ATLANTA, GEORGIA 30339
 (770) 431-7600

PROJECT NAME
HWY 316 @ 81

BETHLEHEM GEORGIA
 839 LOGANVILLE HWY

RACETRAC PROJECT NUMBER
1304

PLAN SERIES
2011 BR-RH-M90 0801

PLAN MODIFICATION NOTICE
 NO MODIFICATIONS APPLIED
 MODIFICATIONS APPLY

SPB NO. 10/08 DATE 11/01/00
 STANDARD PLAN BULLETINS (SPB) MODIFY THE PLAN SERIES SET NOTED ABOVE. THE SPB GIVEN ABOVE REPRESENTS THE LATEST MODIFICATION INCORPORATED TO THIS PLAN SERIES SET. CONTACT RACETRAC ENGINEERING AND CONSTRUCTION FOR ALL BULLETINS.

PROFESSIONAL SEAL

 RICHARD R. MORRIS
 PROFESSIONAL ENGINEER
 NO. 12008
 EXPIRES 12/31/2011

RICHARD R. MORRIS
 GA REG # PED13097

PROJECT NUMBER
18213

SHEET TITLE
FUEL SYSTEM PLAN

SHEET NUMBER
RT-T0.0

DATE
DEC 13 2010