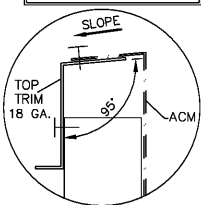
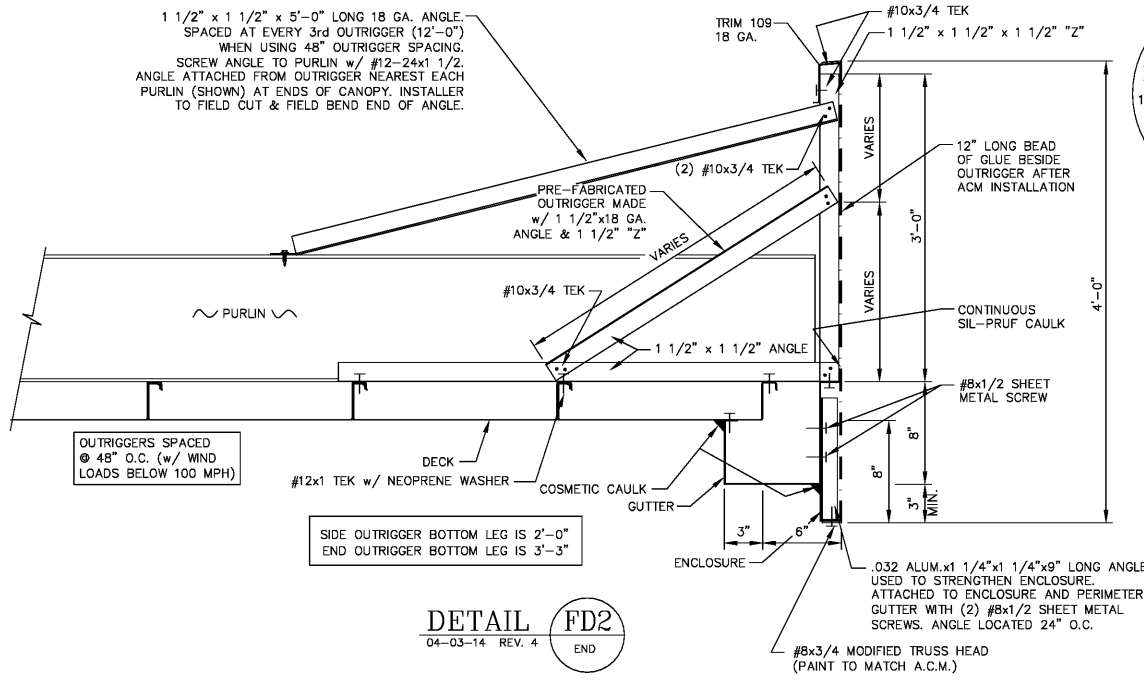


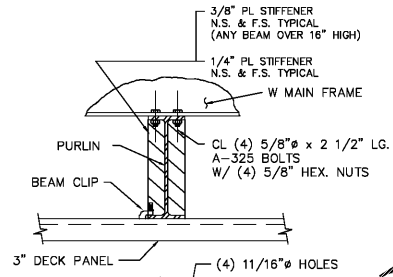
NOTE INSTALLERS:  
ACM MUST SLOPE  
AWAY FROM FASCIA



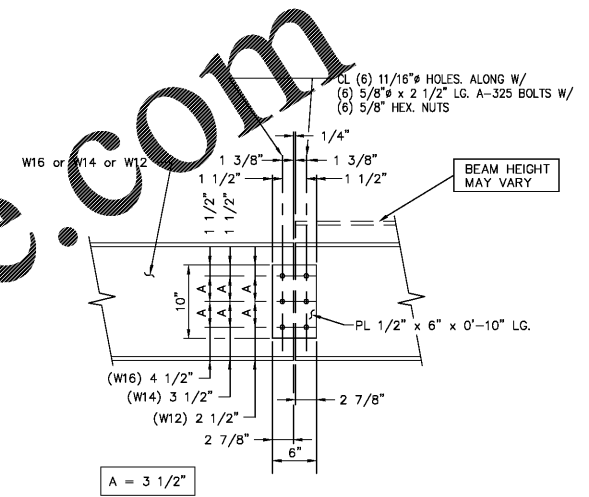
1 1/2" x 1 1/2" x 5'-0" LONG 18 GA. ANGLE SPACED AT EVERY 3rd OUTRIGGER (12'-0") WHEN USING 48" OUTRIGGER SPACING. SCREW ANGLE TO PURLIN w/ #12-24x1 1/2" ANGLE ATTACHED FROM OUTRIGGER NEAREST EACH PURLIN (SHOWN) AT ENDS OF CANOPY. INSTALLER TO FIELD CUT & FIELD BEND END OF ANGLE.



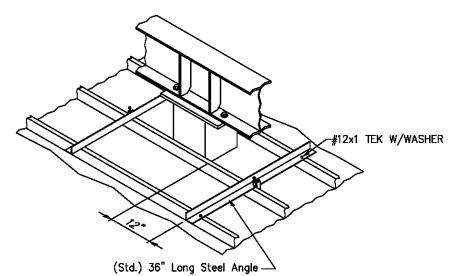
DETAIL (FD2)  
04-03-14 REV. 4 END



DETAIL (PH2)  
REV. 09-21-98



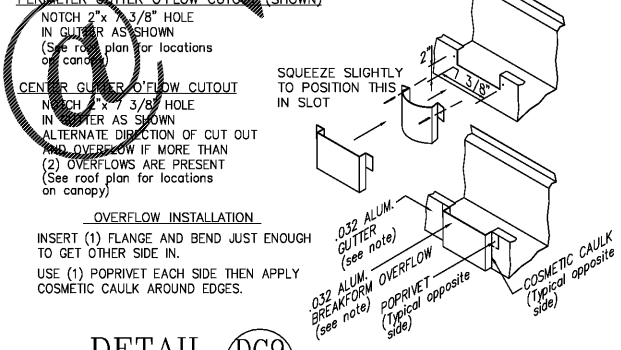
DETAIL (WPS)  
REV. 4 11/09/00 3-BOLTS



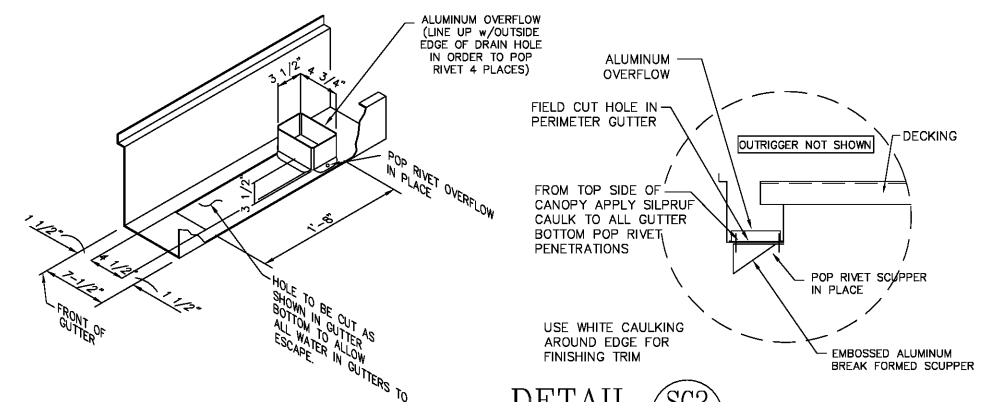
Step 1 Attach a support bracket on each side of the column to support the cut rib of deck. Keep bracket at least 12" away from column to allow room to seal around column. (Typ. all columns)  
Step 2 Use McGee beam clip and TEK screws as shown to secure and support.

DETAIL (DSA1)

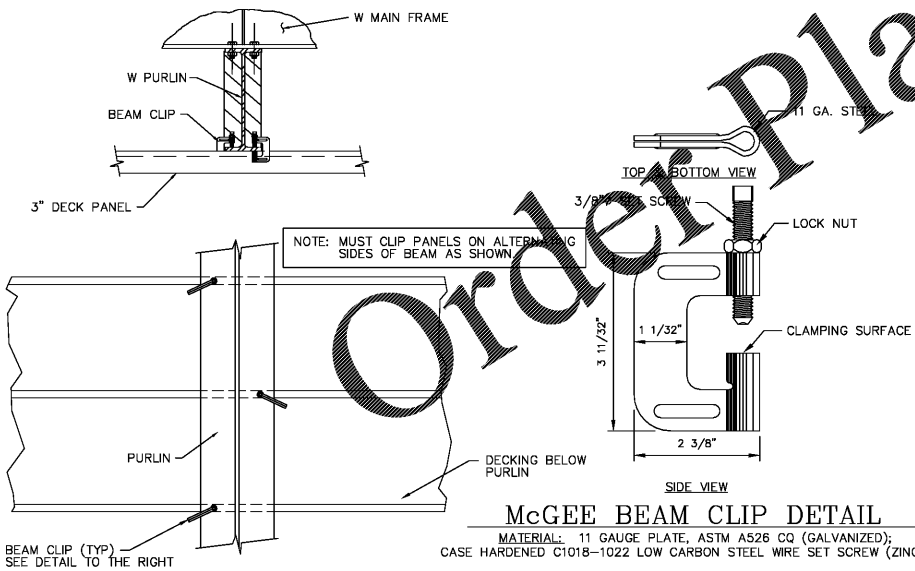
PERIMETER GUTTER O'FLOW CUTOUT (SHOWN)



DETAIL (DC9)  
REV. 1 03-26-02



DETAIL (SC2)  
05-01-98



McGEE BEAM CLIP INSTALLATION PROCEDURE: SET BEAM CLIP WITH SET SCREW ON TOP OF BEAM FLANGE AND CLAMPING SURFACE UNDER DECK RIB. PUSH CLIP AGAINST DECK AND BEAM FLANGE WITH SET SCREW AS FAR ON TO BEAM FLANGE AS POSSIBLE. WHILE KEEPING BEAM CLIP VERTICAL, TURN SET SCREW TO SNUG TIGHT WITHOUT BURROWING INTO STEEL BEAM FLANGE. THEN PROCEED TO TURN SET SCREW 3/4 TURN (270°). TIGHTEN LOCK NUT MAKING SURE THAT BEAM CLIP REMAINS IN POSITION.

DETAIL (CPI)  
REV 11-31-95

LAWRENCE R. PILON/ PROFESSIONAL ENGINEER  
51 MAPLEVIEW DRIVE/PENNELVILLE, NY 13132  
(315) 668-0039

<b>MCGEE CORPORATION</b> 12701 East Independence Blvd. P.O. Box 1375 Matthews, NC 28106-1375 Phone: (704) 882-1900 Telex: (800) 528-5589	PR. JOB NO. 57358	FINAL JOB NO. 57358	DRAWING NO. P057358B
	<b>RACETRAC PETROLEUM, INC</b> 839 LOGANVILLE HWY BETHLEHEM, GA 30620 (BARROW)		
SCALE: 1/8"=1'-0" DATE: 01/10/2019	IN ACCORDANCE WITH REV. LETTER:	DRAWN BY: MSP CHKD BY:	SHEET NO. 3 OF 3
METAL CANOPY 40'-0" x 219'-8" MISC. DETAILS			

