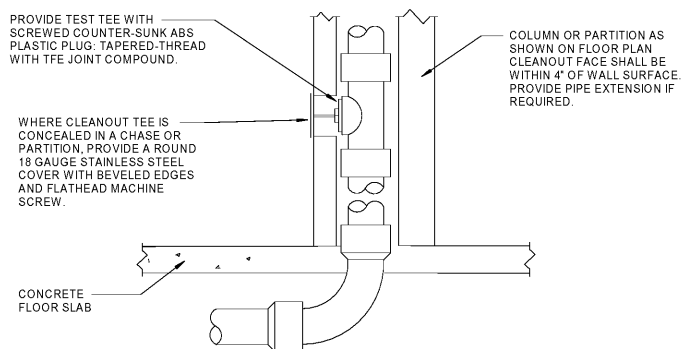
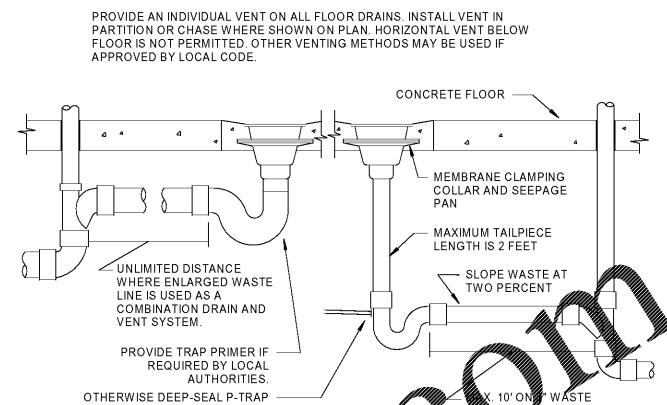


6 OVEN-STEAMER DRAIN DETAIL  
N.T.S.



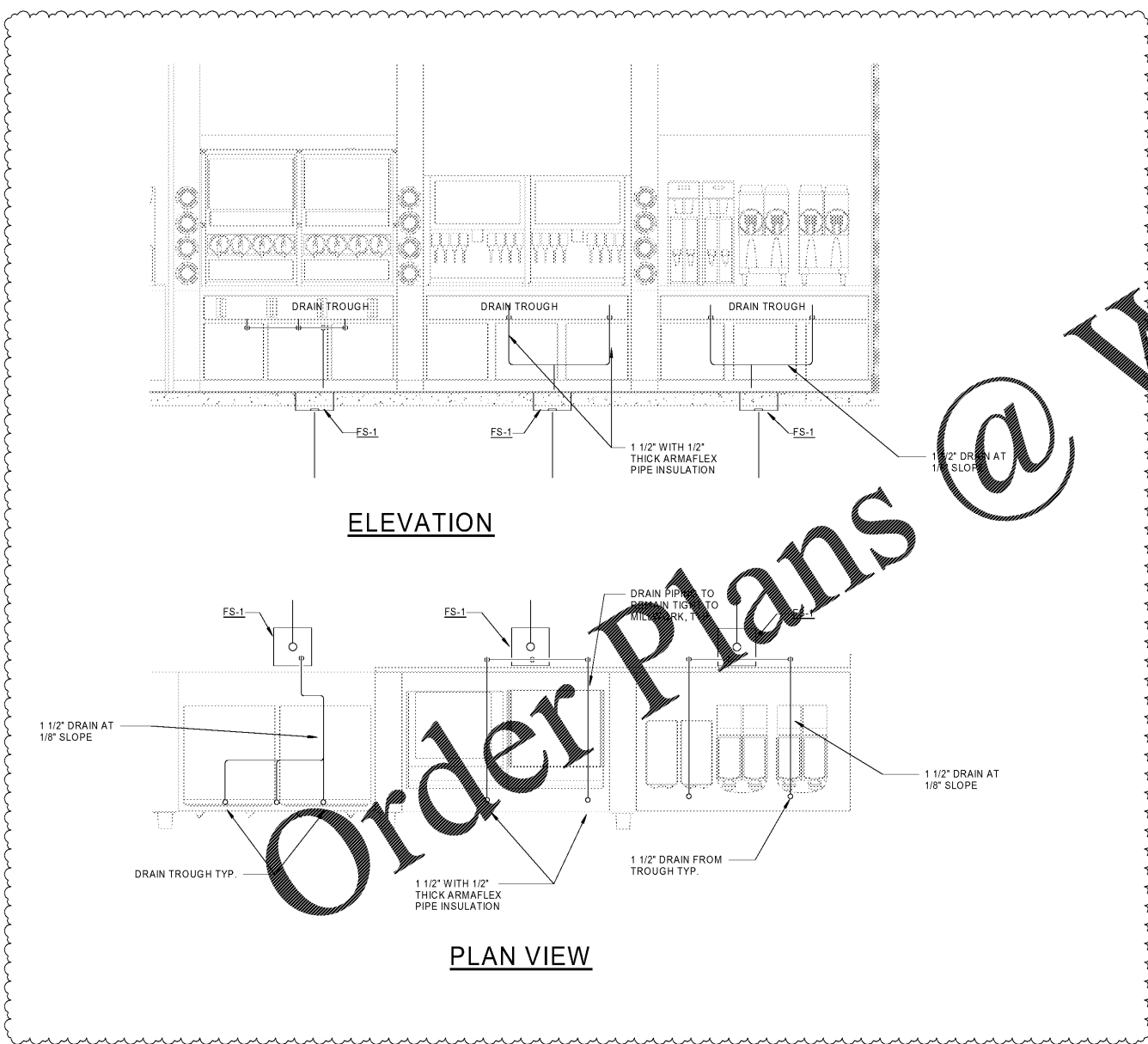
NOTE: PROVIDE WCO WHERE SHOWN ON PLAN, AND ON SANITARY WASTE BRANCHES NOT SERVED WITH A FLOOR CLEANOUT. LOCATE ABOVE FIXTURE FLOOD RIM WITHIN 4" OF FLOOR. CONSULT LOCAL CODES FOR OTHER WCO REQUIREMENTS.

5 WALL CLEANOUT DETAIL  
N.T.S.

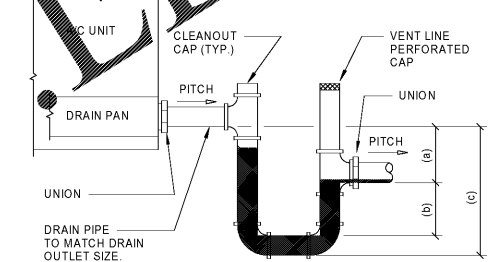


LOCATE FLOOR DRAINS WHERE SHOWN ON DIMENSIONED ARCHITECTURAL PLAN. IF FLOOR STRUCTURE INTERFERES WITH FLOOR DRAIN, MOVE DRAINS IF POSSIBLE, OTHERWISE MOVE BACK ALWAYS TO BE WHERE EASILY ACCESSIBLE, BUT NOT IN FOOT TRAFFIC. IF SITUATION IS FLOOR SLAB ON GRADE, PROVIDE BACKFILL PER SPECIFICATIONS. IF CONCRETE FLOOR IS NOT EXISTING, SET DRAIN IN PLACE AND POUR AROUND IT. IF CONCRETE FLOOR IS EXISTING, SAW CUT OR CORE DRILL IT. SET DRAIN BODY IN PLACE AND POUR AROUND IT. RECESS TOP OF FLOOR DRAIN 1/2" BELOW FLOOR SLAB AND TO BE FLOOR TO IT.

4 FLOOR DRAIN DETAIL  
N.T.S.



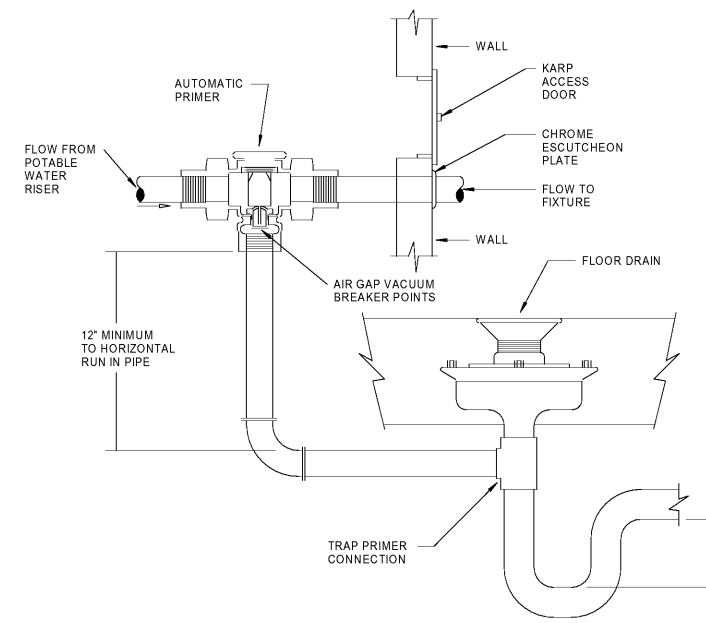
2 CABINETRY TROUGH DRAIN DETAIL  
N.T.S.



NOTES:  
1. ALLOW SUFFICIENT SPACE BELOW DRAIN PAN FOR TRAP.  
2. PITCH DRAIN FOR PROPER RUNOFF.  
3. MANUALLY PRIME FILL TRAP BEFORE START-UP TO FORM INITIAL DRAIN SEAL.  
4. SUPPORT LENGTHY DRAIN LINES TO PREVENT SAG AND CONDENSATE OVERFLOW.

(a) THIS DIMENSION IN INCHES MUST BE EQUAL TO THE MAXIMUM FAN SUCTION (NEGATIVE) STATIC PRESSURE IN INCHES WG (WITH DIRTY FILTERS, COILS, AND MAXIMUM AIR FLOW) + 1" W.G.  
(b) THIS DIMENSION IN INCHES MUST BE EQUAL TO MIN. 1/2 OF THE (a) ABOVE  
(c) EQUALS (a) + (b) + PIPE DIA. + INSULATION

3 DRAW THRU UNIT CONDENSATE TRAP  
N.T.S.



1 TRAP PRIMER DETAIL  
N.T.S.

**RaceTrac.**  
COPYRIGHT NOTICE  
THESE PLANS ARE SUBJECT TO FEDERAL COPYRIGHT LAWS. ANY USE OF SAME WITHOUT THE EXPRESSED WRITTEN PERMISSION OF RACETRAC PETROLEUM, INC. IS PROHIBITED. 2016 RACETRAC PETROLEUM, INC.

DESIGN PROFESSIONALS

**GPD GROUP**  
Professional Corporation  
520 S. MAIN STREET, STE 2531  
AKRON, OH 44311

ISSUE/REVISION RECORD

DATE	DESCRIPTION
01/25/19	PERMIT SET
03/16/20	REFRESH TO 2020.0113

**RaceTrac.**

RACETRAC PETROLEUM, INC.  
200 GALLERIA PARKWAY SOUTHEAST  
SUITE 900  
ATLANTA, GEORGIA 30339  
(770) 431-7600

PROJECT NAME

HWY 316 @ 81

BETHLEHEM  
GA 30620  
839 LOGANVILLE HWY

RACETRAC STORE NUMBER

#1304

PROTOTYPE SERIES 5.5K 2.0

2018 LH MO 0405

PLAN MODIFICATION NOTICE

SPB NO. 0405 DATE 12/18/18

STANDARD PLAN BULLETINS (SPB) MODIFY THE PROTOTYPE SERIES SET NOTED ABOVE. THE LISTED SPB REPRESENTS THE LATEST MODIFICATION INCORPORATED TO THIS PROTOTYPE SERIES SET AT ORIGINAL RELEASE. THE ISSUE/REVISION RECORD COLUMN ABOVE LISTS ANY REVISIONS OR SPB INCORPORATED IN THIS SET AFTER THE ORIGINAL RELEASE. CONTACT RACETRAC ENGINEERING AND CONSTRUCTION FOR ANY SUBSEQUENT BULLETINS NOT INCORPORATED HEREIN.

PROFESSIONAL SEAL

PROJECT NUMBER

2018157.19

SHEET TITLE

PLUMBING DETAILS

SHEET NUMBER

P431