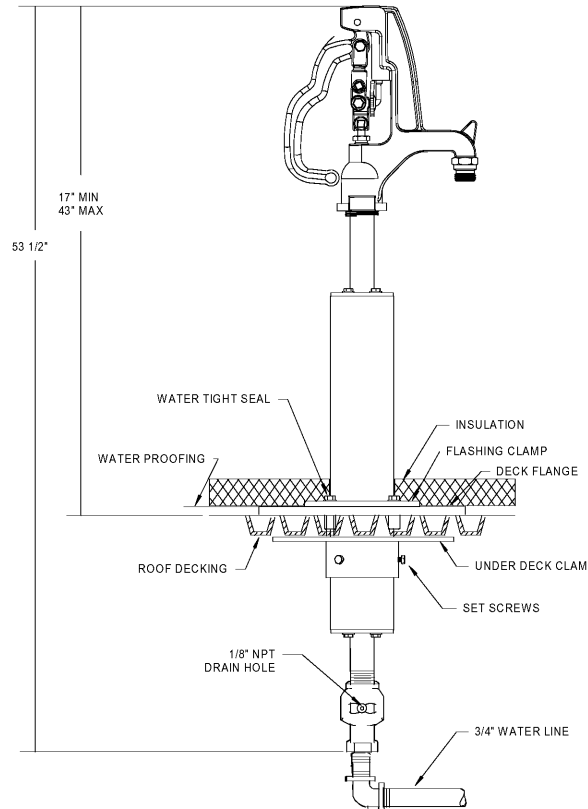
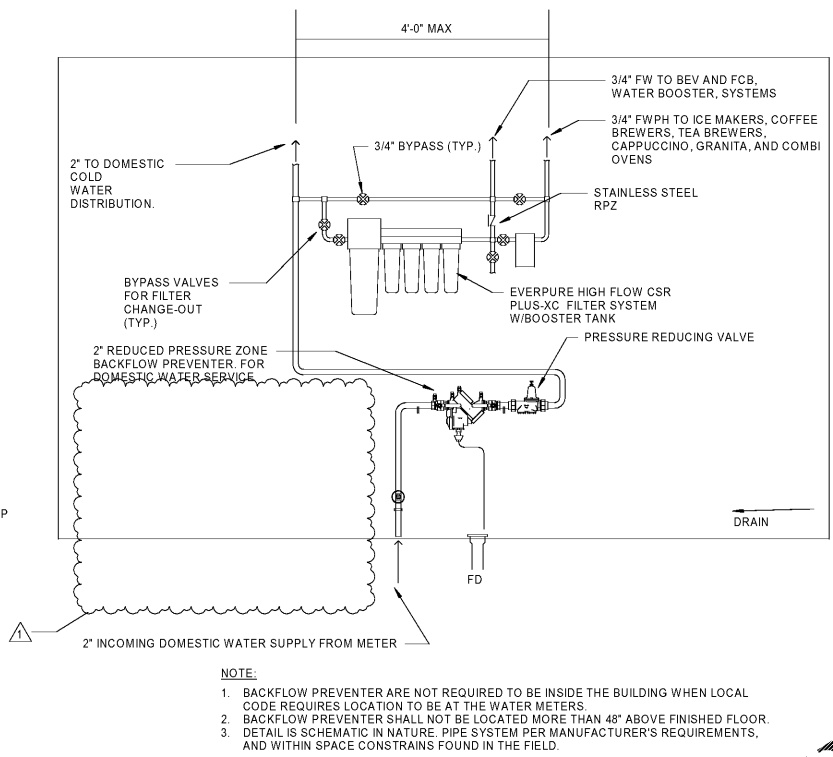


ISSUE/REVISION RECORD	DATE	DESCRIPTION
01/25/19	PERMIT SET	
03/16/20	REFRESH TO 2020.0113	

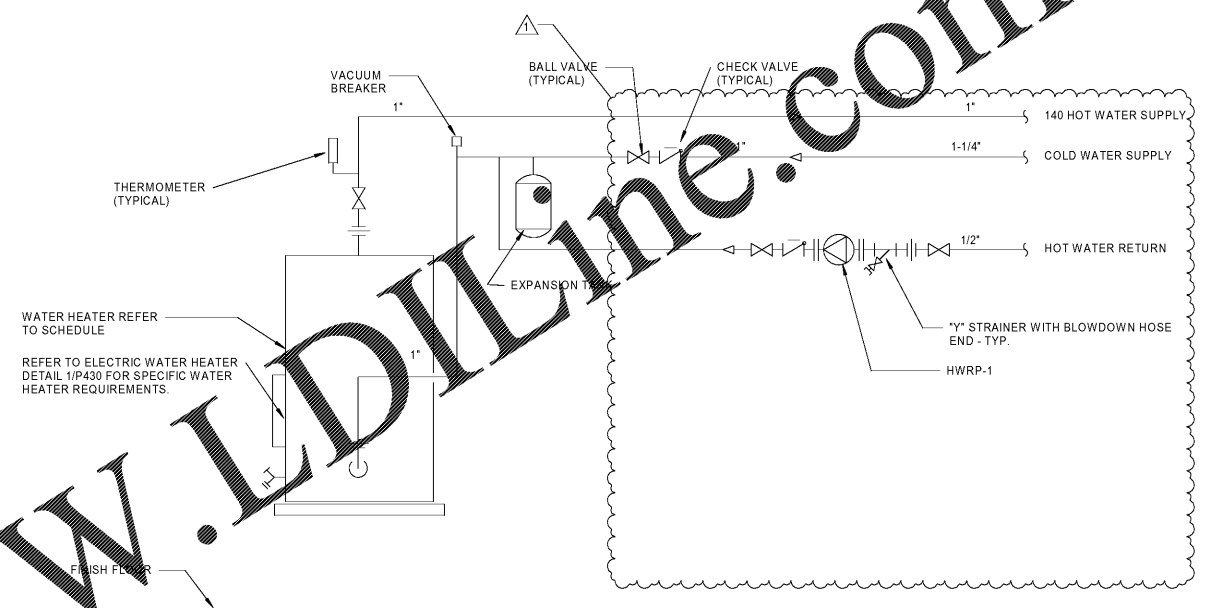
STANDARD PLAN BULLETINS (SPB) MODIFY THE PROTOTYPE SERIES SET NOTED ABOVE. THE LISTED SPB REPRESENTS THE LATEST MODIFICATION INCORPORATED TO THIS PROTOTYPE SERIES SET AT ORIGINAL RELEASE. THE ISSUE/REVISION RECORD COLUMN ABOVE LISTS ANY REVISIONS OR SPB INCORPORATED IN THIS SET AFTER THE ORIGINAL RELEASE. CONTACT RACETRAC ENGINEERING AND CONSTRUCTION FOR ANY SUBSEQUENT BULLETINS NOT INCORPORATED HEREIN.



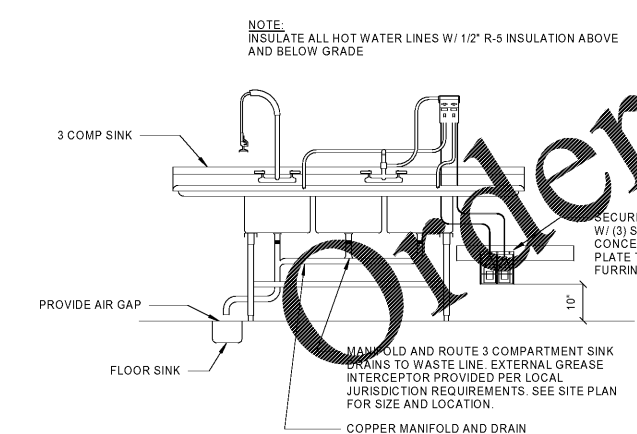
6 NON-FREEZE ROOF HYDRANT
 N.T.S.



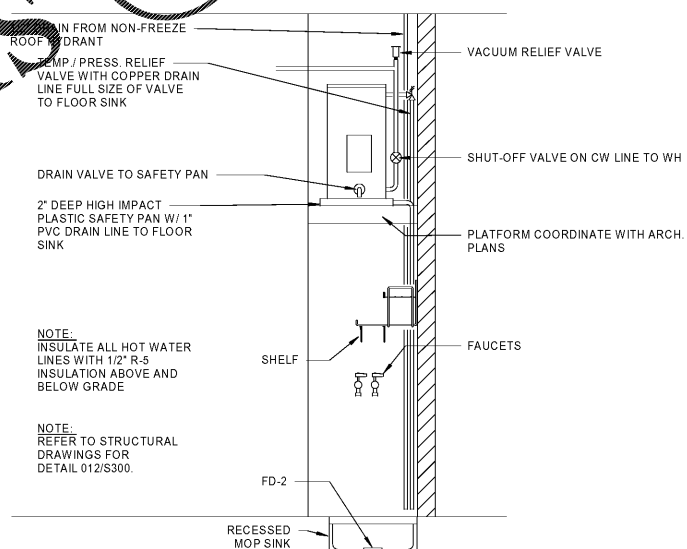
5 WATER MANIFOLD/FILTER DETAIL
 N.T.S.



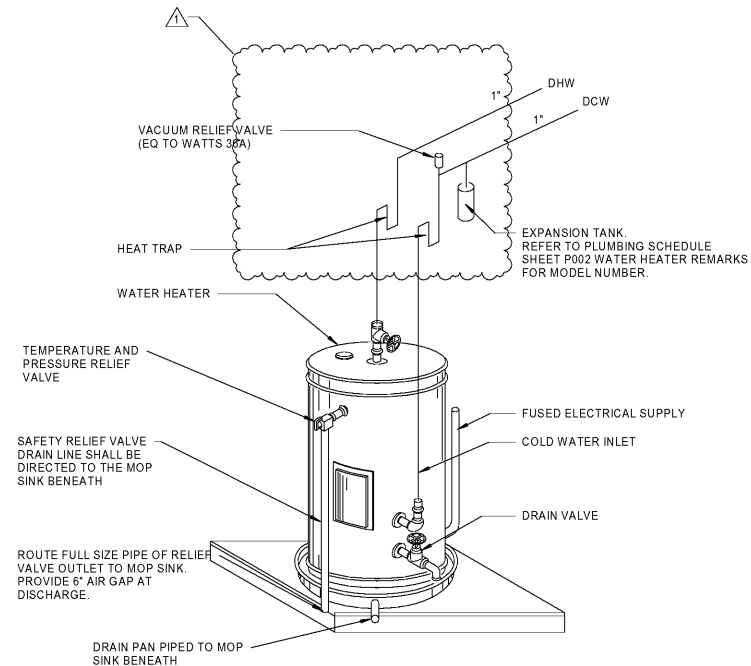
1 WATER HEATER MANIFOLD SCHEMATIC
 N.T.S.



3 3-COMPARTMENT SINK DETAIL
 N.T.S.



2 WATER HEATER DRAIN LINE DETAIL
 N.T.S.



1 ELECTRIC WATER HEATER DETAIL
 N.T.S.

Order Plans @ WWW.IDIline.com