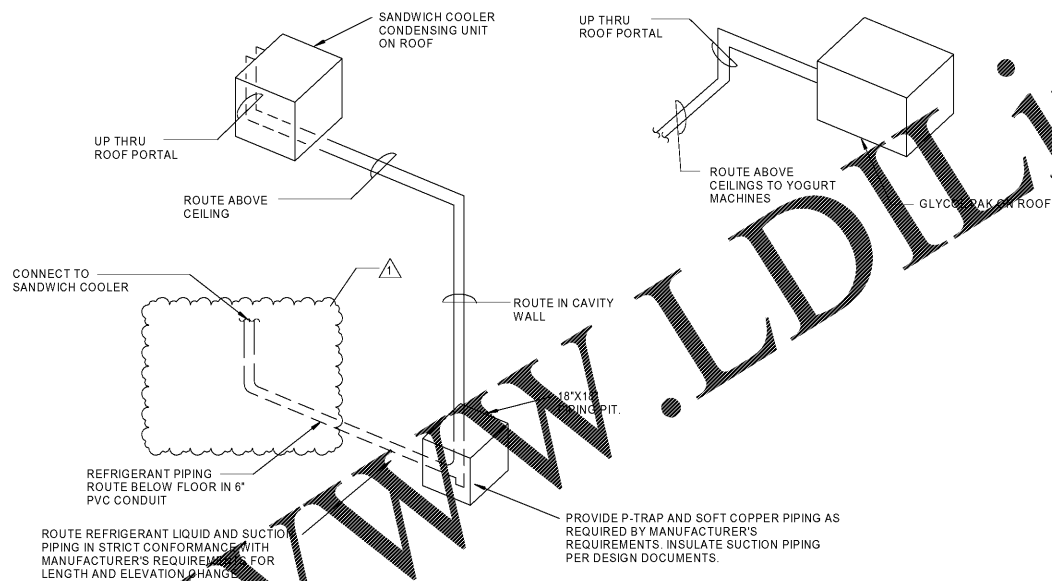
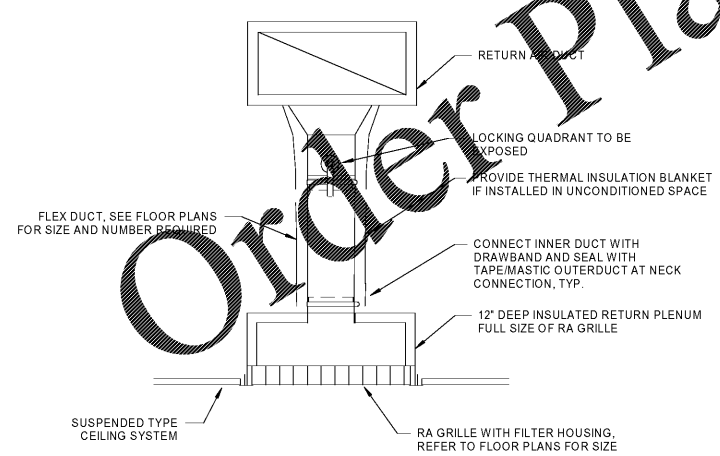


ISSUE/REVISION RECORD	DATE	DESCRIPTION
01/25/19	PERMIT SET	
03/16/20	REFRESH TO 2020.0113	

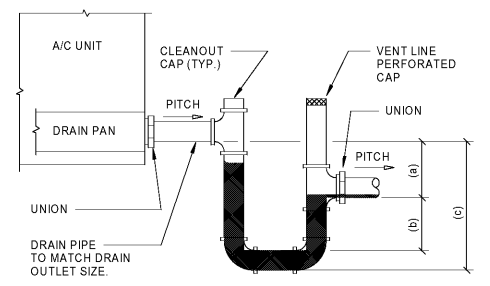
STANDARD PLAN BULLETINS (SPB) MODIFY THE
 PROTOTYPE SERIES SET NOTED ABOVE. THE
 LISTED SPB REPRESENTS THE LATEST
 MODIFICATION INCORPORATED TO THIS
 PROTOTYPE SERIES SET AT ORIGINAL RELEASE.
 THE ISSUE/REVISION RECORD COLUMN ABOVE
 LISTS ANY REVISIONS OR SPB INCORPORATED IN
 THIS SET AFTER THE ORIGINAL RELEASE.
 CONTACT RACETRAC ENGINEERING AND
 CONSTRUCTION FOR ANY SUBSEQUENT
 BULLETINS NOT INCORPORATED HEREIN.



4 REFRIGERANT ROUTING DETAIL
NTS



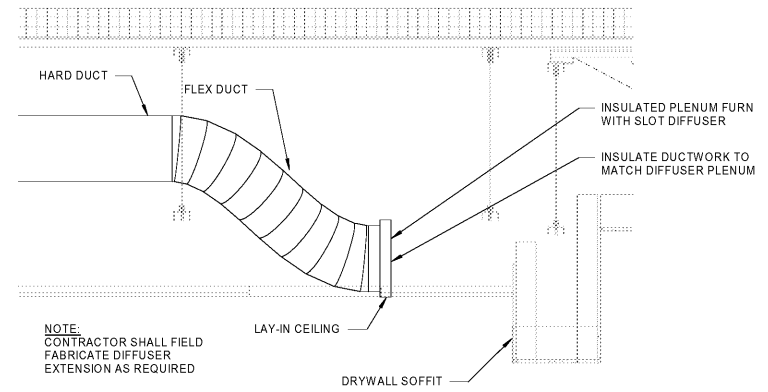
3 TYPICAL RETURN AIR GRILLE DETAIL
NTS



NOTES:
 1. ALLOW SUFFICIENT SPACE BELOW DRAIN PAN FOR TRAP
 2. PITCH DRAIN FOR PROPER RUNOFF.
 3. MANUALLY PRIME FILL TRAP BEFORE START-UP TO FORM INITIAL DRAIN SEAL.
 4. SUPPORT LENGTHY DRAIN LINES TO PREVENT SAG AND CONDENSATE OVERFLOW.
 5. TEE'D DRAIN LINE FROM RTU TO TRAP ALLOWED.

(a) THIS DIMENSION IN INCHES MUST BE EQUAL TO THE MAXIMUM FAN SUCTION (NEGATIVE) STATIC PRESSURE IN INCHES WG (WITH DIRTY FILTERS, COILS, AND MAXIMUM AIR FLOW) + 1" W.G.
 (b) THIS DIMENSION IN INCHES MUST BE EQUAL TO MIN. 1/2 OF THE (a) ABOVE
 (c) EQUALS (a) + (b) + PIPE DIA. + INSULATION

2 DRAW THRU UNIT CONDENSATE TRAP
NTS



1 SLOT DIFFUSER DETAIL
NTS

www.LDILine.com

Order Plans @