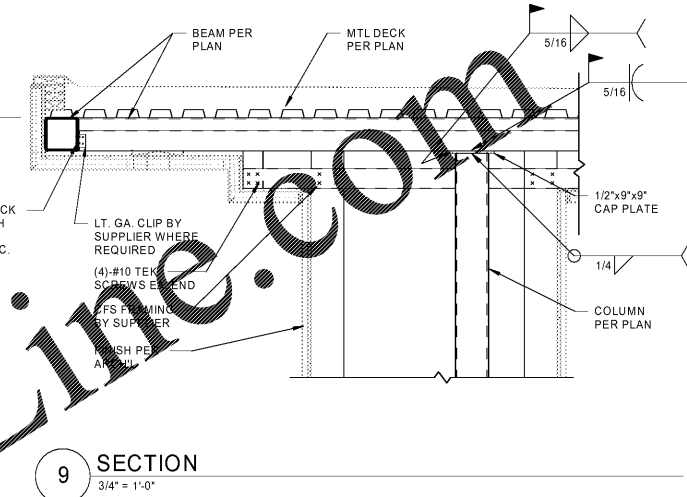
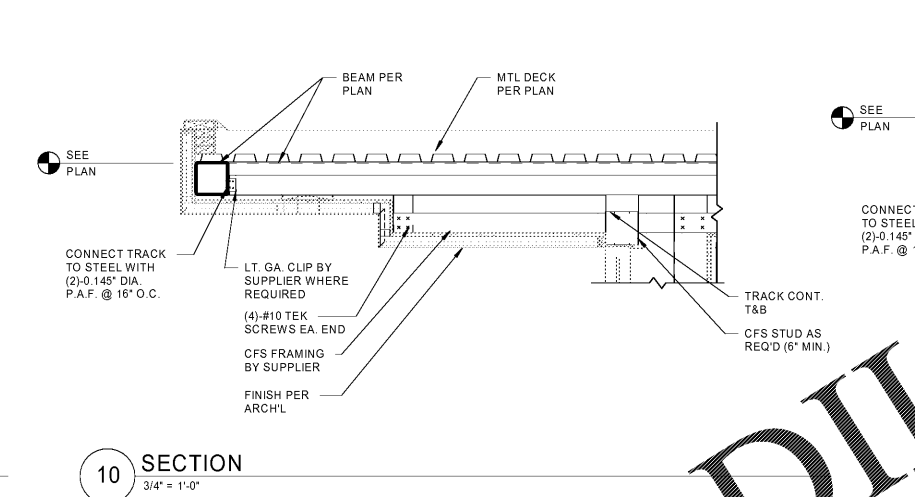


| DATE     | DESCRIPTION          |
|----------|----------------------|
| 01/25/19 | PERMIT SET           |
| 03/16/20 | REFRESH TO 2020.0113 |

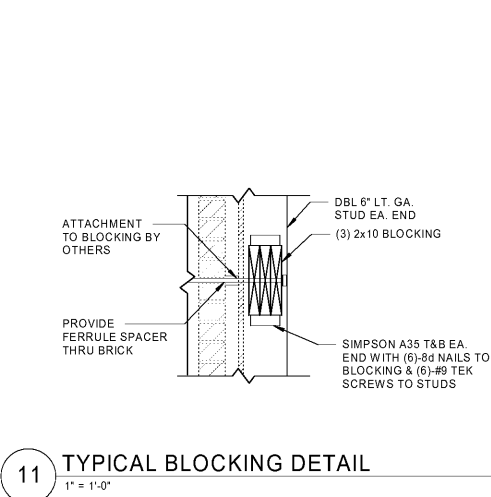
STANDARD PLAN BULLETINS (SPB) MODIFY THE PROTOTYPE SERIES SET NOTED ABOVE. THE LISTED SPB REPRESENTS THE LATEST MODIFICATION INCORPORATED TO THIS PROTOTYPE SERIES SET AT ORIGINAL RELEASE. THE ISSUE, REVISION RECORD COLUMN ABOVE LISTS ANY REVISIONS OR SPB INCORPORATED IN THIS SET AFTER THE ORIGINAL RELEASE. CONTACT RACETRAC ENGINEERING AND CONSTRUCTION FOR ANY SUBSEQUENT BULLETINS NOT INCORPORATED HEREIN.



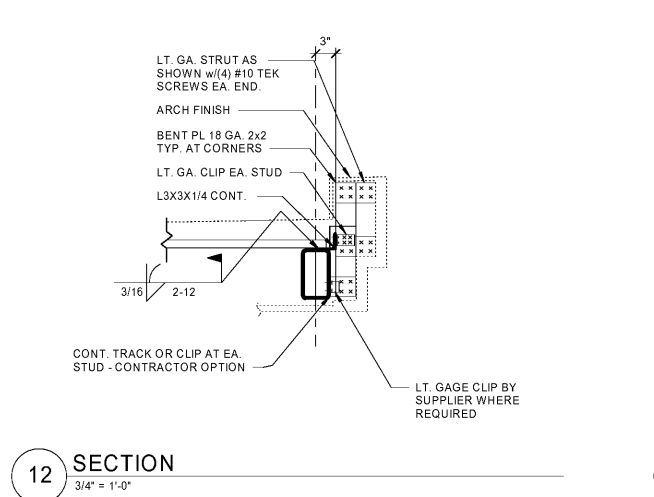
9 SECTION  
 3/4" = 1'-0"



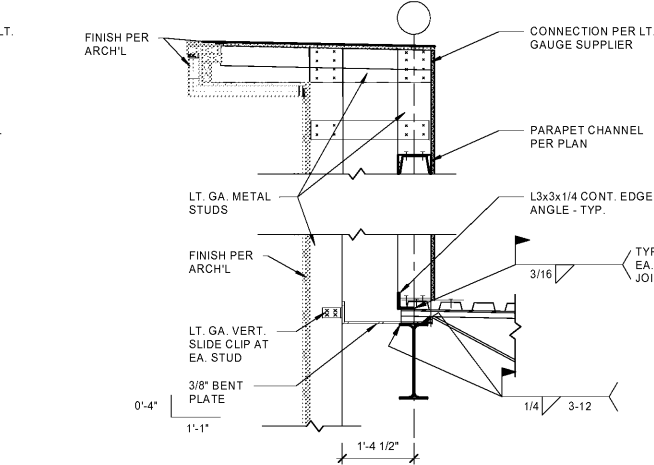
10 SECTION  
 3/4" = 1'-0"



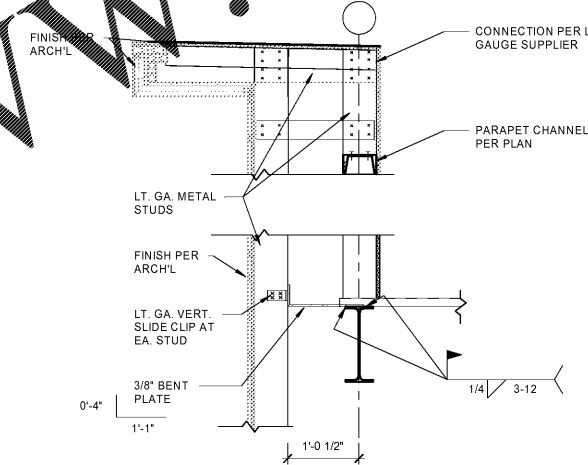
11 TYPICAL BLOCKING DETAIL  
 1" = 1'-0"



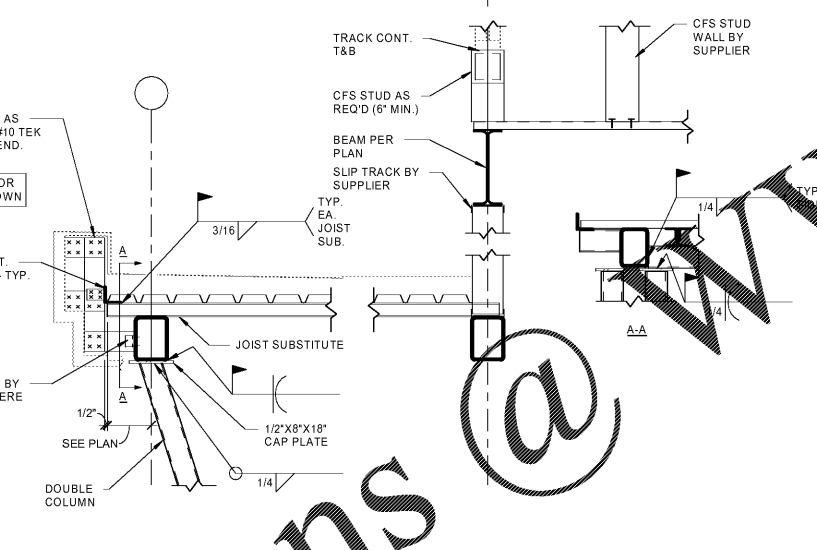
12 SECTION  
 3/4" = 1'-0"



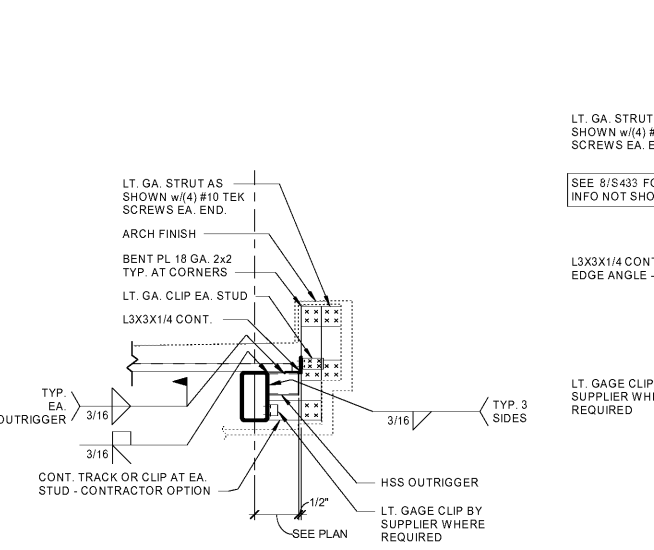
5 SECTION  
 3/4" = 1'-0"



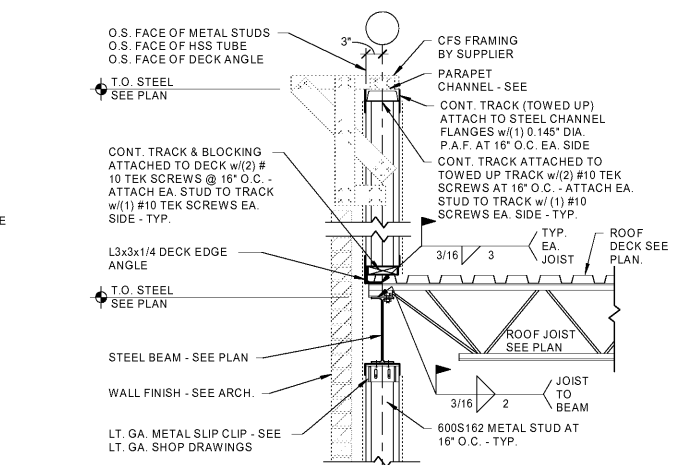
6 SECTION  
 3/4" = 1'-0"



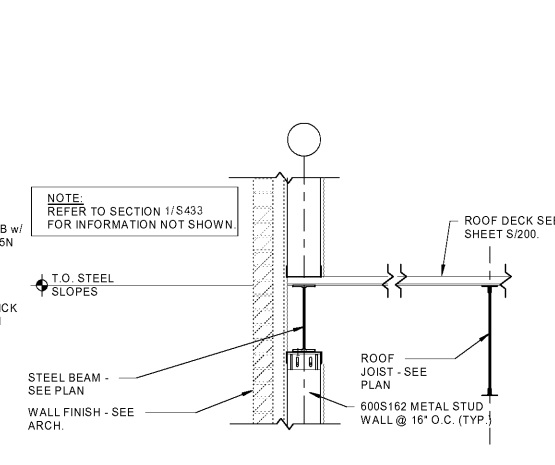
8 SECTION  
 3/4" = 1'-0"



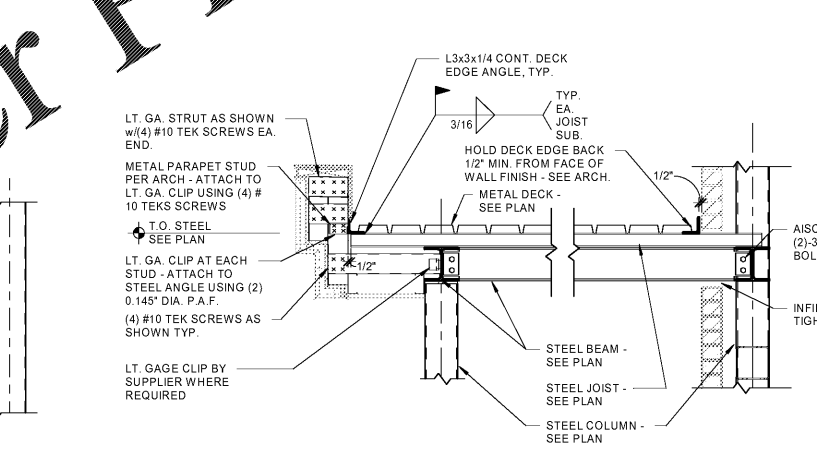
8 SECTION  
 3/4" = 1'-0"



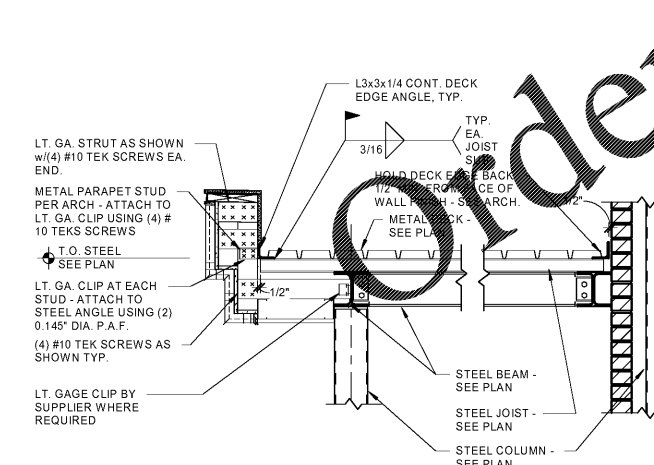
1 SECTION AT FRONT WALL PARAPET  
 3/4" = 1'-0"



2 SECTION AT WALL AND PARAPET  
 3/4" = 1'-0"



3 SECTION AT PATIO AT SIDE ENTRY  
 3/4" = 1'-0"



4 SECTION AT PATIO  
 3/4" = 1'-0"