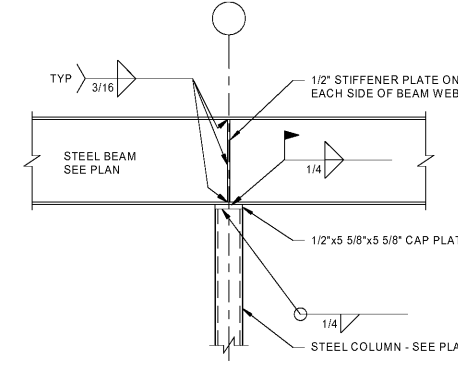


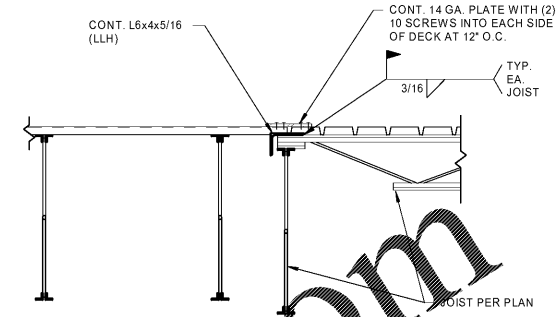
ISSUE/REVISION RECORD

DATE	DESCRIPTION
01/25/19	PERMIT SET
03/16/20	REFRESH TO 2020.01.13

STANDARD PLAN BULLETINS (SPB) MODIFY THE PROTOTYPE SERIES SET NOTED ABOVE. THE LISTED SPB REPRESENTS THE LATEST MODIFICATION INCORPORATED TO THIS PROTOTYPE SERIES SET AT ORIGINAL RELEASE. THIS ISSUE/REVISION RECORD COLUMN ABOVE LISTS ANY REVISIONS OR SPB INCORPORATED IN THIS SET AFTER THE ORIGINAL RELEASE. CONTACT RACETRAC ENGINEERING AND CONSTRUCTION FOR ANY SUBSEQUENT BULLETINS NOT INCORPORATED HEREIN.

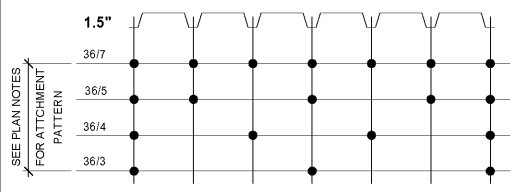


17 BEAM TO COLUMN CONNECTION DETAIL
 3/4" = 1'-0"

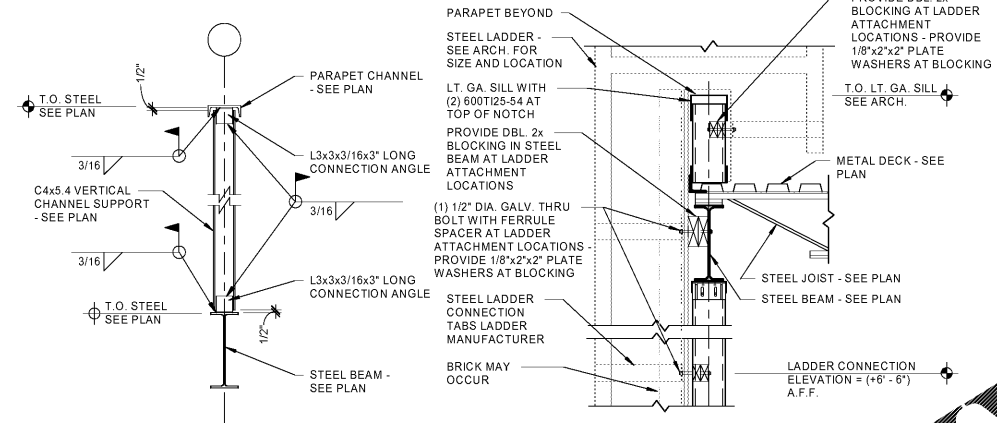


16 DECK DIRECTION CHANGE SECTION
 3/4" = 1'-0"

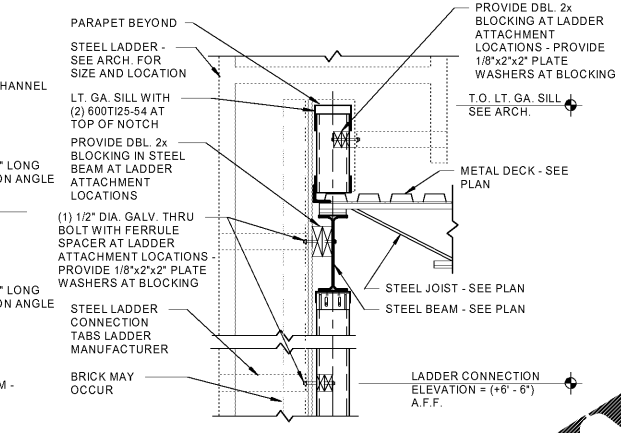
METAL ROOF DECK SHALL BE SUPPLIED IN 36\"/>



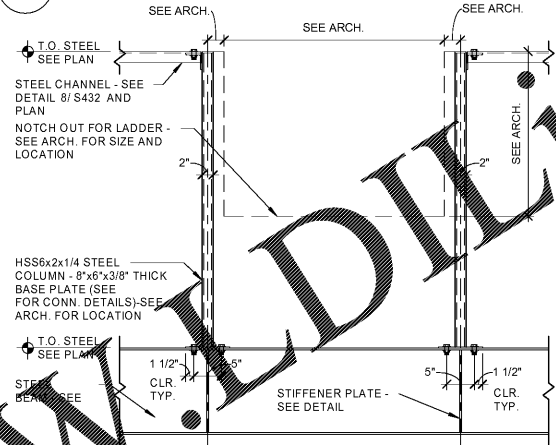
15 TYPICAL ROOF DECK ATTACHMENT DETAIL
 3/4" = 1'-0"



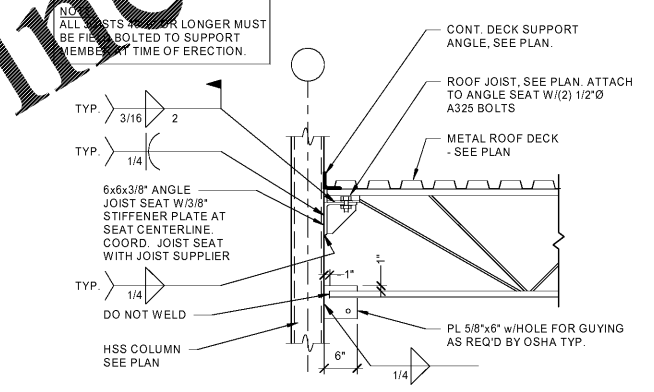
14 PARAPET SUPPORT DETAIL
 3/4" = 1'-0"



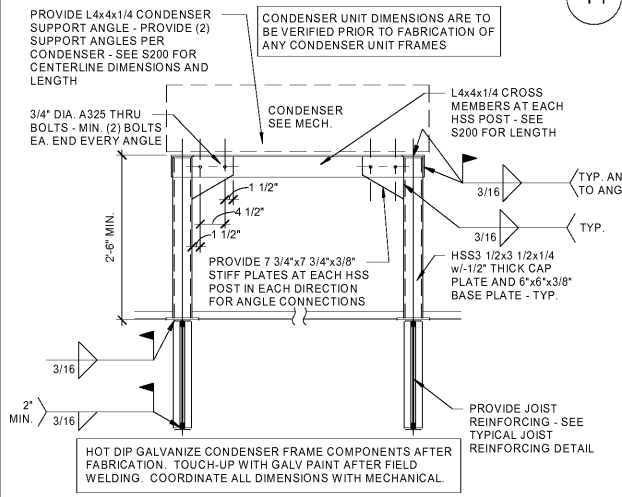
13 LADDER ATTACHMENT DETAIL
 3/4" = 1'-0"



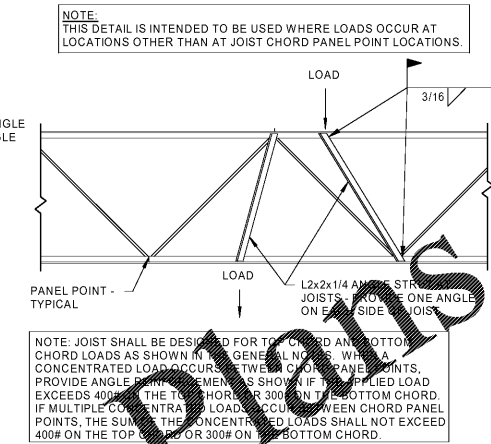
12 LADDER NOTCH DETAIL
 3/4" = 1'-0"



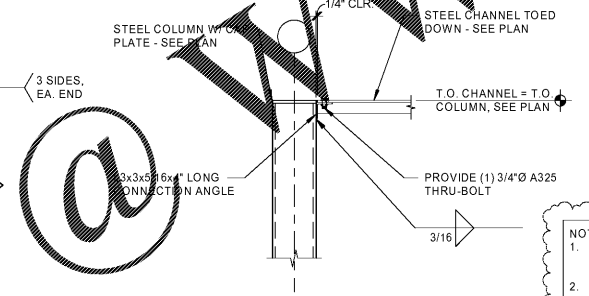
11 ROOF JOIST TO COLUMN CONNECTION
 3/4" = 1'-0"



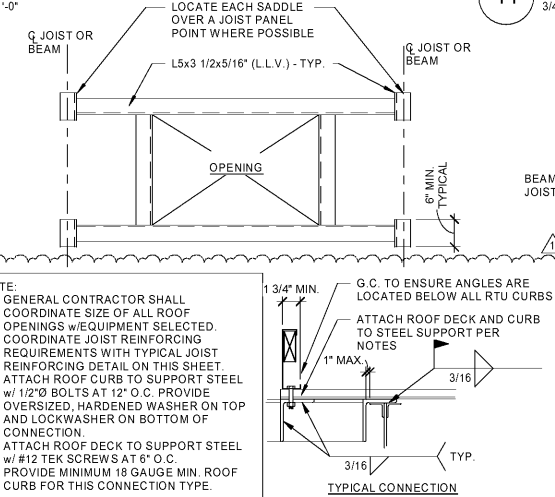
10 CONDENSER SUPPORT DETAIL
 3/4" = 1'-0"



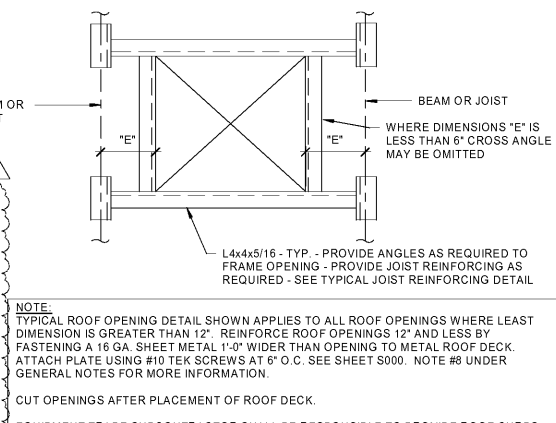
9 TYPICAL JOIST REINFORCING DETAIL
 3/4" = 1'-0"



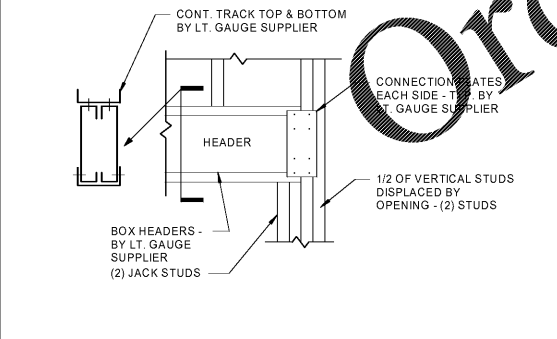
8 CHANNEL TO COLUMN DETAIL
 3/4" = 1'-0"



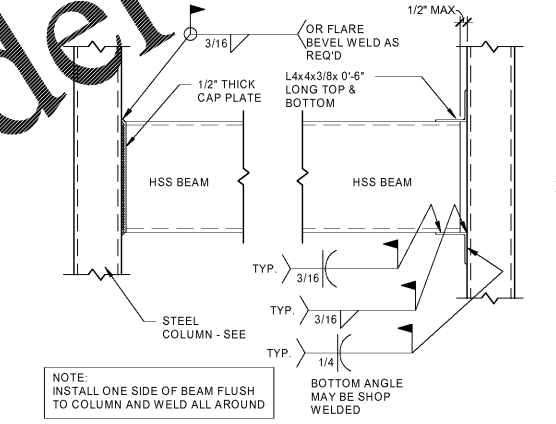
7 RTU SUPPORT FRAMING DETAIL
 3/4" = 1'-0"



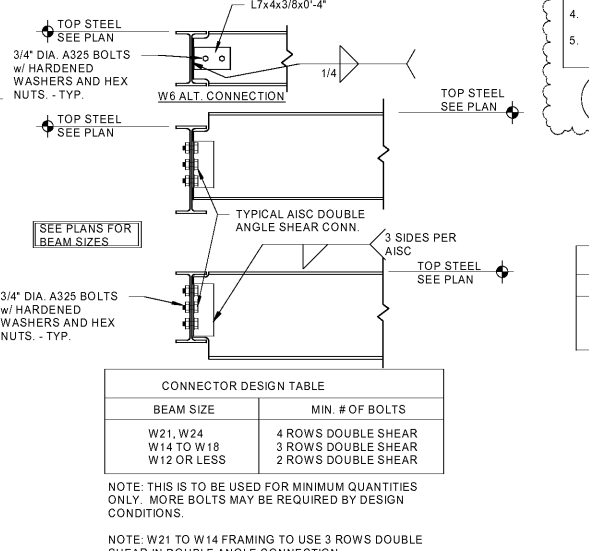
6 TYP. ROOF OPENING FRAMING DETAIL
 3/4" = 1'-0"



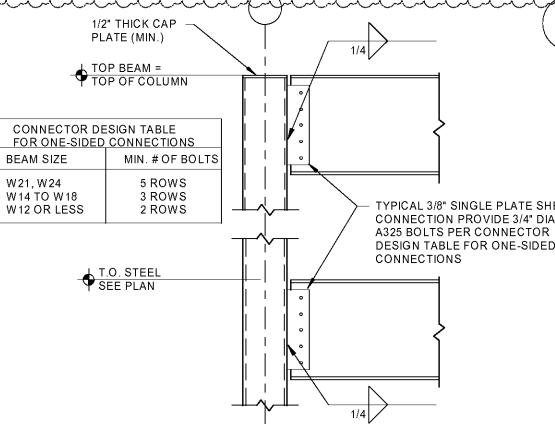
5 LIGHT GAGE BOX HEADER
 3/4" = 1'-0"



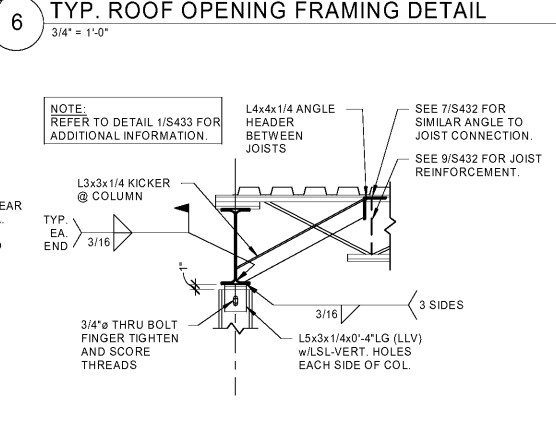
4 HSS BEAM TO COLUMN DETAILS
 3/4" = 1'-0"



3 BEAM TO BEAM FRAMING DETAILS
 3/4" = 1'-0"



2 TYP. BEAM TO COLUMN CONN. DETAILS
 3/4" = 1'-0"



1 WIND COL. SLIP CONN.
 3/4" = 1'-0"

CONNECTOR DESIGN TABLE

BEAM SIZE	MIN. # OF BOLTS
W21, W24	4 ROWS DOUBLE SHEAR
W14 TO W18	3 ROWS DOUBLE SHEAR
W12 OR LESS	2 ROWS DOUBLE SHEAR

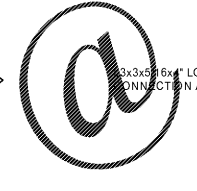
NOTE: THIS IS TO BE USED FOR MINIMUM QUANTITIES ONLY. MORE BOLTS MAY BE REQUIRED BY DESIGN CONDITIONS.

NOTE: W21 TO W14 FRAMING TO USE 3 ROWS DOUBLE SHEAR IN DOUBLE ANGLE CONNECTION.

CONNECTOR DESIGN TABLE FOR ONE-SIDED CONNECTIONS

BEAM SIZE	MIN. # OF BOLTS
W21, W24	5 ROWS
W14 TO W18	3 ROWS
W12 OR LESS	2 ROWS

Order Plans



www.dline.com