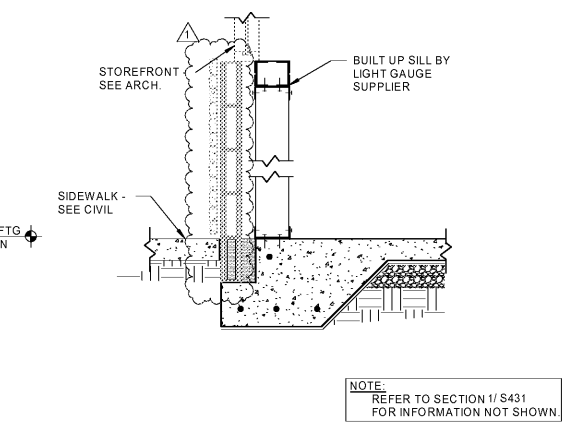
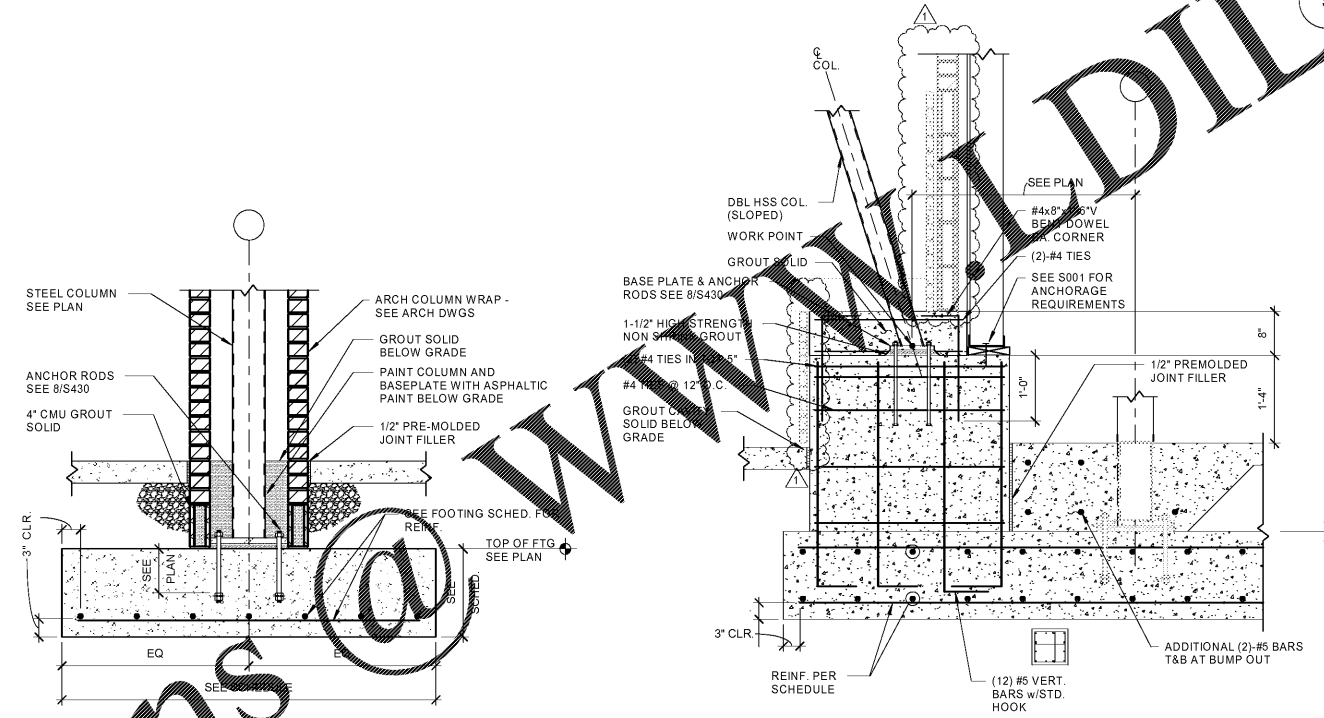
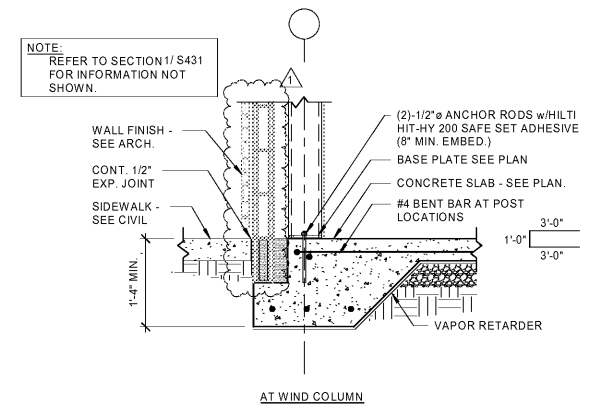
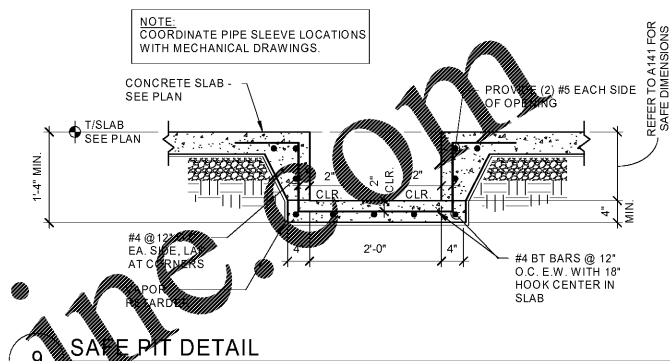


ISSUE/REVISION RECORD	
DATE	DESCRIPTION
01/25/19	PERMIT SET
03/16/20	REFRESH TO 2020.0113

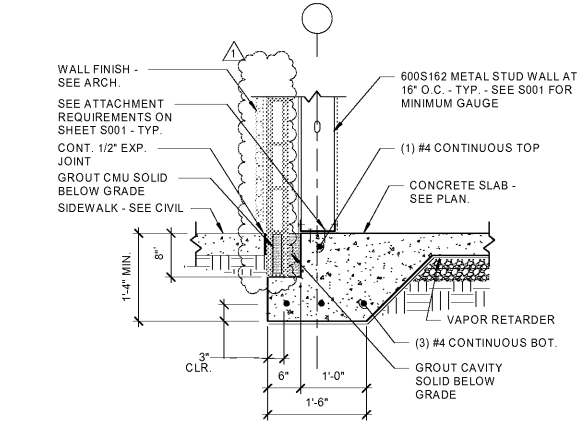
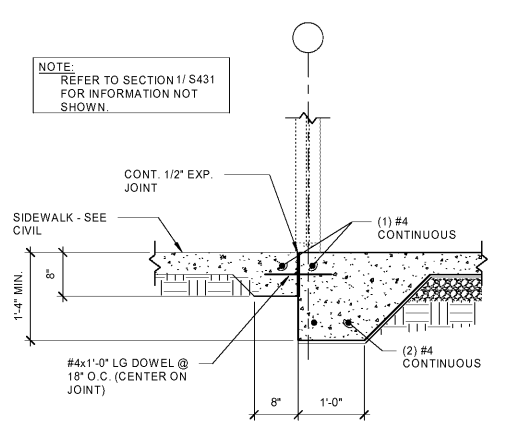
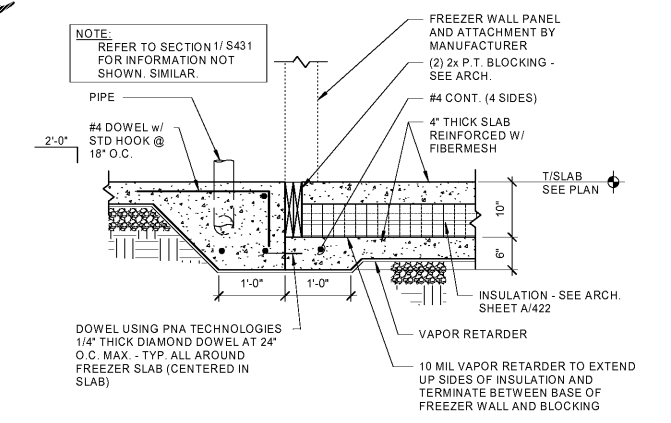
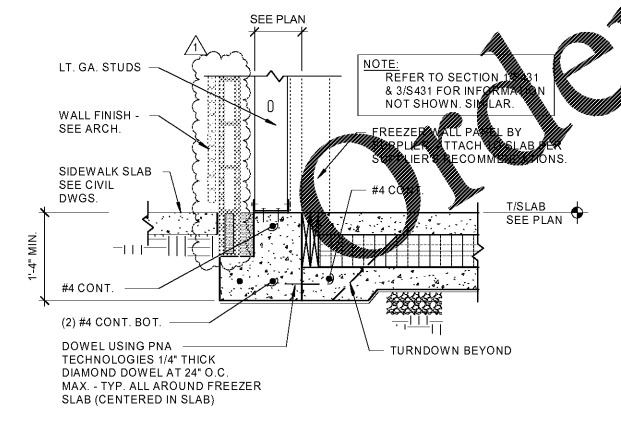
STANDARD PLAN BULLETINS (SPB) MODIFY THE PROTOTYPE SERIES SET NOTED ABOVE. THE LISTED SPB REPRESENTS THE LATEST MODIFICATION INCORPORATED TO THIS PROTOTYPE SERIES SET AT ORIGINAL RELEASE. THE ISSUE/REVISION RECORD COLUMN ABOVE LISTS ANY REVISIONS OR SPB INCORPORATED IN THIS SET AFTER THE ORIGINAL RELEASE. CONTACT RACETRAC ENGINEERING AND CONSTRUCTION FOR ANY SUBSEQUENT BULLETINS NOT INCORPORATED HEREIN.



8 SLAB TURNDOWN SECTION
 3/4" = 1'-0"

6 SECTION
 3/4" = 1'-0"

5 SLAB TURNDOWN SECTION AT WINDOW
 3/4" = 1'-0"



4 FREEZER SLAB AT WALL
 3/4" = 1'-0"

3 FREEZER SLAB SECTION
 3/4" = 1'-0"

2 SLAB TURNDOWN SECTION AT DOORS
 3/4" = 1'-0"

1 SLAB TURNDOWN SECTION
 3/4" = 1'-0"