

ISSUE/REVISION RECORD

DATE	DESCRIPTION
01/25/19	PERMIT SET
03/16/20	REFRESH TO 2020.0113

PROJECT NAME

HWY 316 @ 81

BETHLEHEM
 GA 30620
 839 LOGANVILLE HWY

RACETRAC STORE NUMBER

#1304

PROTOTYPE SERIES 5.5K 2.0
 2018 LH MO 0405

PLAN MODIFICATION NOTICE

SPB NO. 0405 DATE 12/18/18

STANDARD PLAN BULLETINS (SPB) MODIFY THE PROTOTYPE SERIES SET NOTED ABOVE. THE LISTED SPB REPRESENTS THE LATEST MODIFICATION INCORPORATED TO THIS PROTOTYPE SERIES SET AT ORIGINAL RELEASE. THE ISSUE/REVISION RECORD COLUMN ABOVE LISTS ANY REVISIONS OR SPB INCORPORATED TO THIS SET AFTER THE ORIGINAL RELEASE. CONTACT RACETRAC ENGINEERING AND CONSTRUCTION FOR ANY SUBSEQUENT BULLETINS NOT INCORPORATED HEREIN.

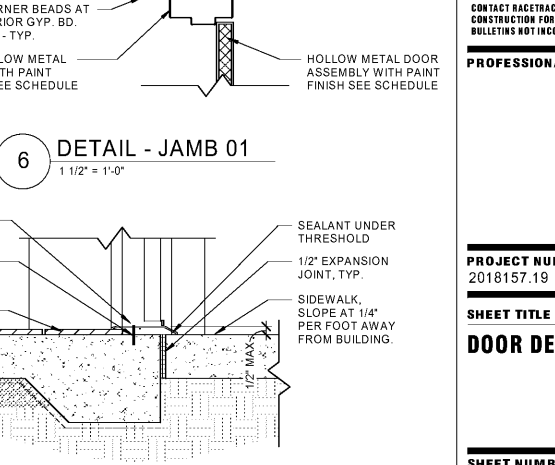
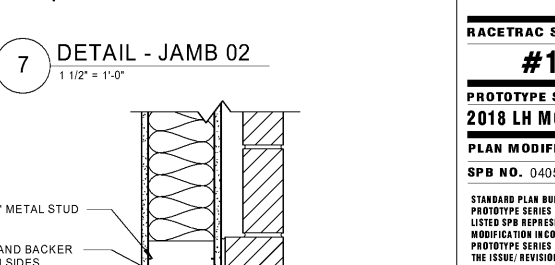
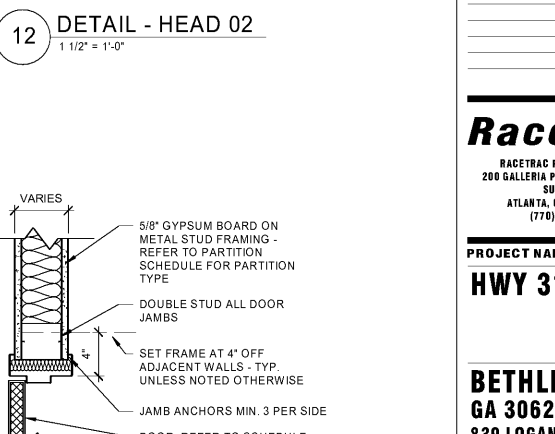
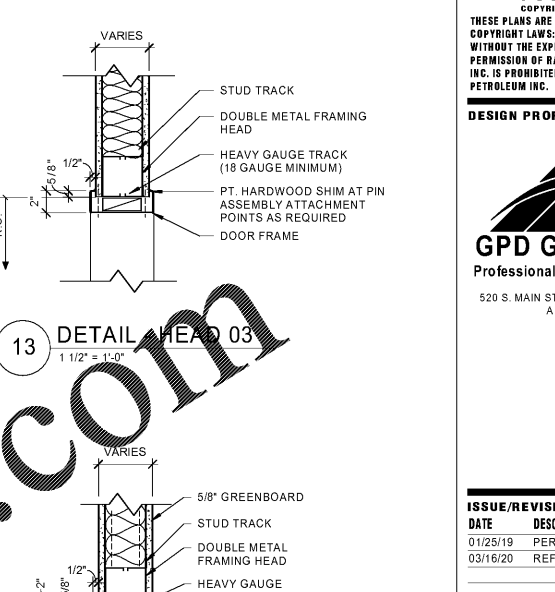
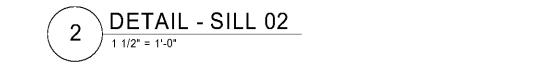
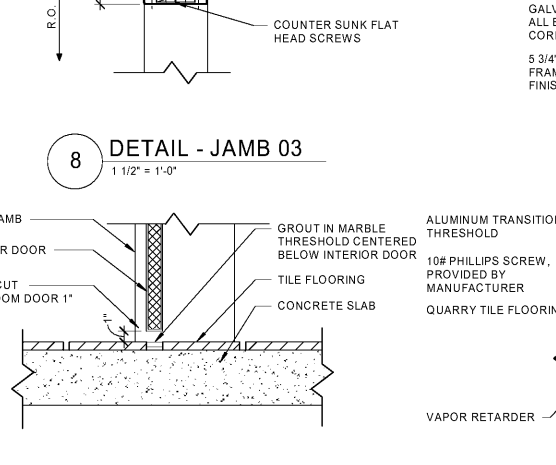
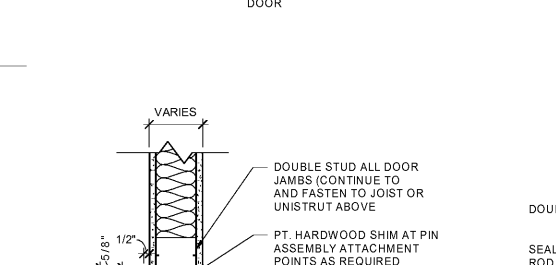
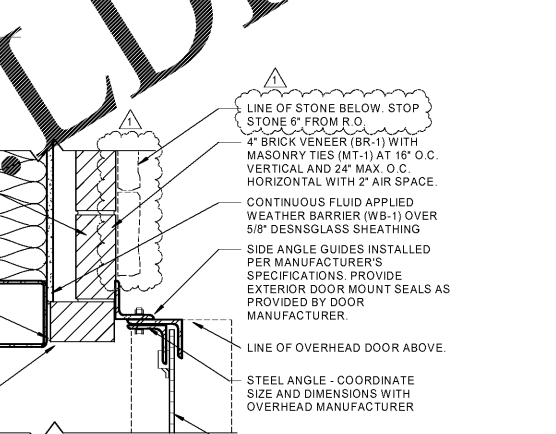
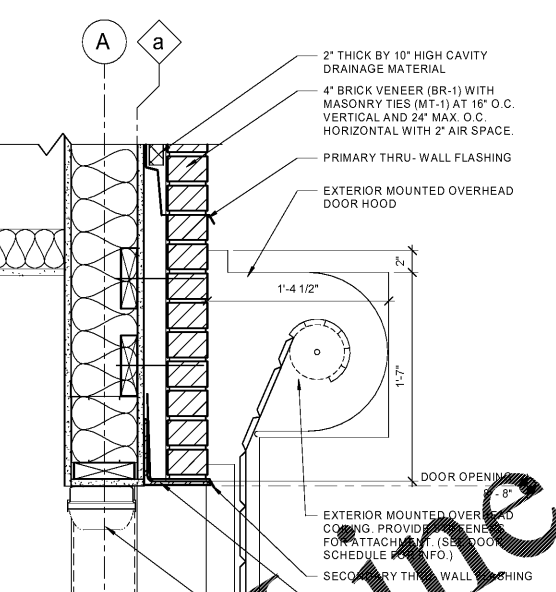
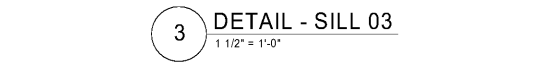
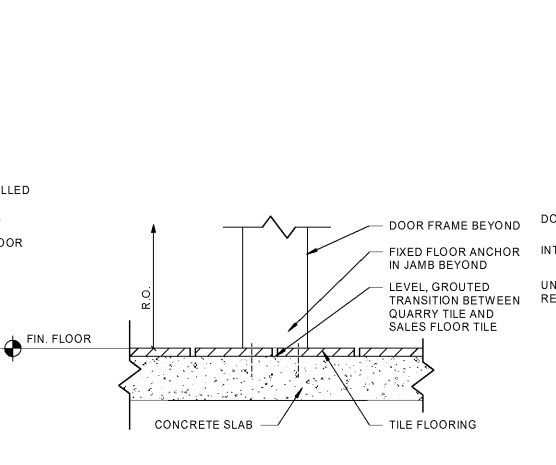
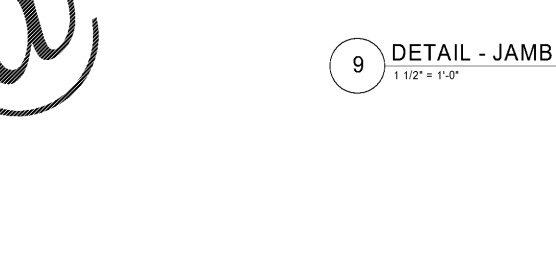
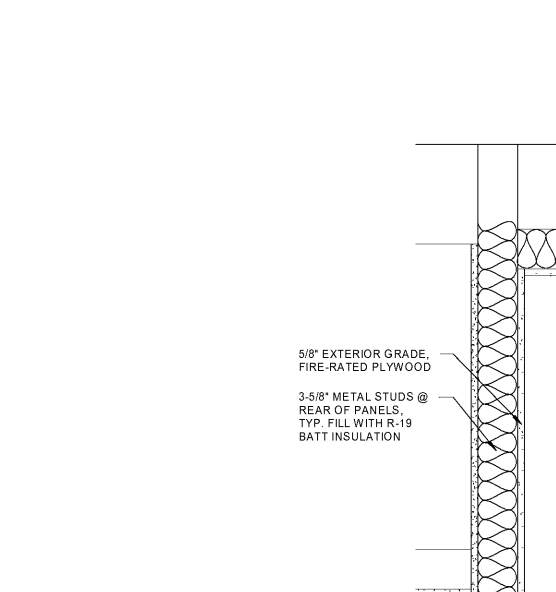
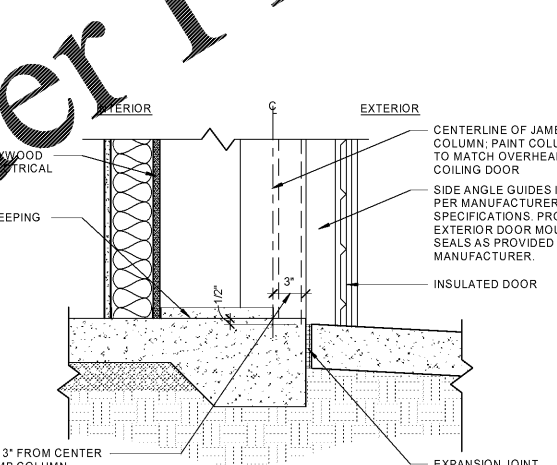
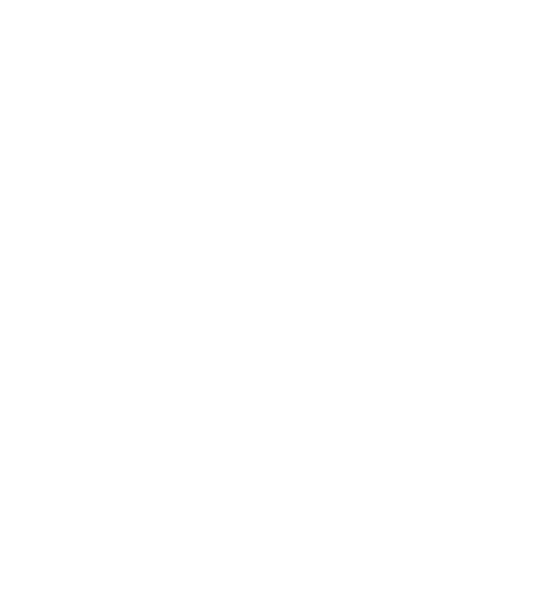
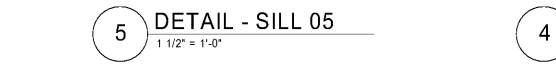
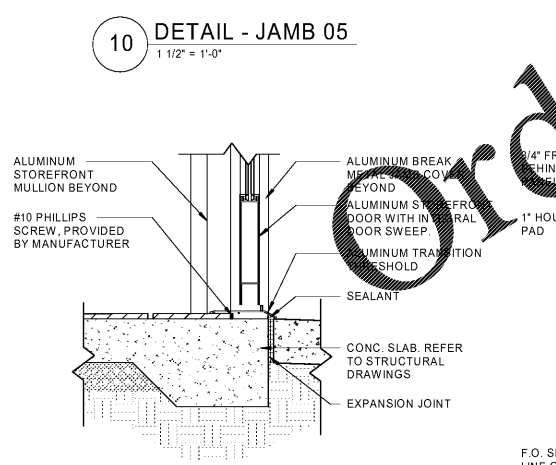
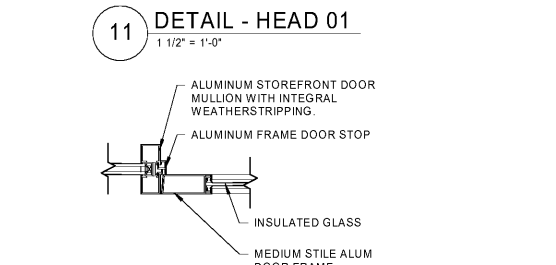
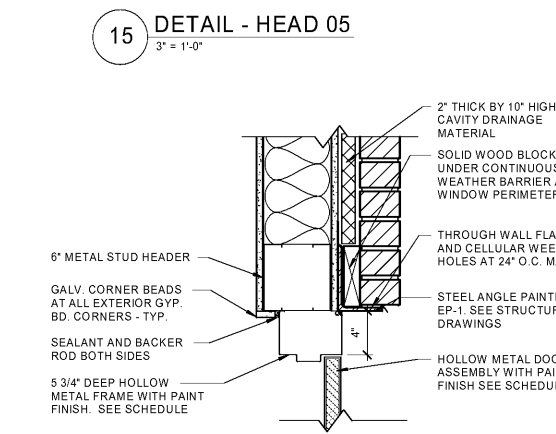
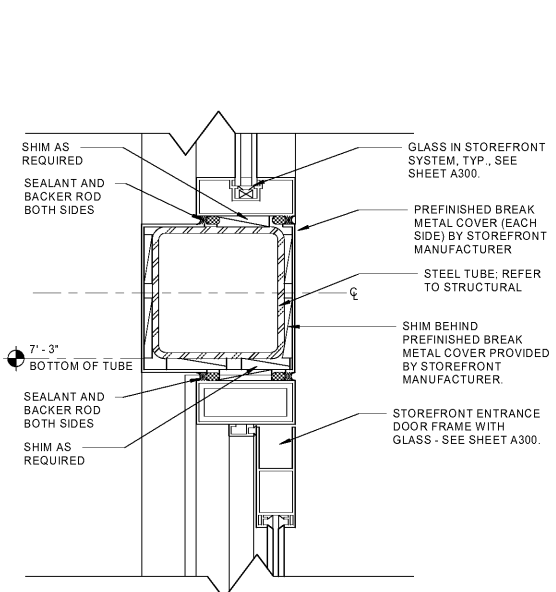
PROFESSIONAL SEAL

PROJECT NUMBER
 2018157.19

SHEET TITLE
DOOR DETAILS

SHEET NUMBER

A701



Order Plans @

WWW.DIYLINE.COM