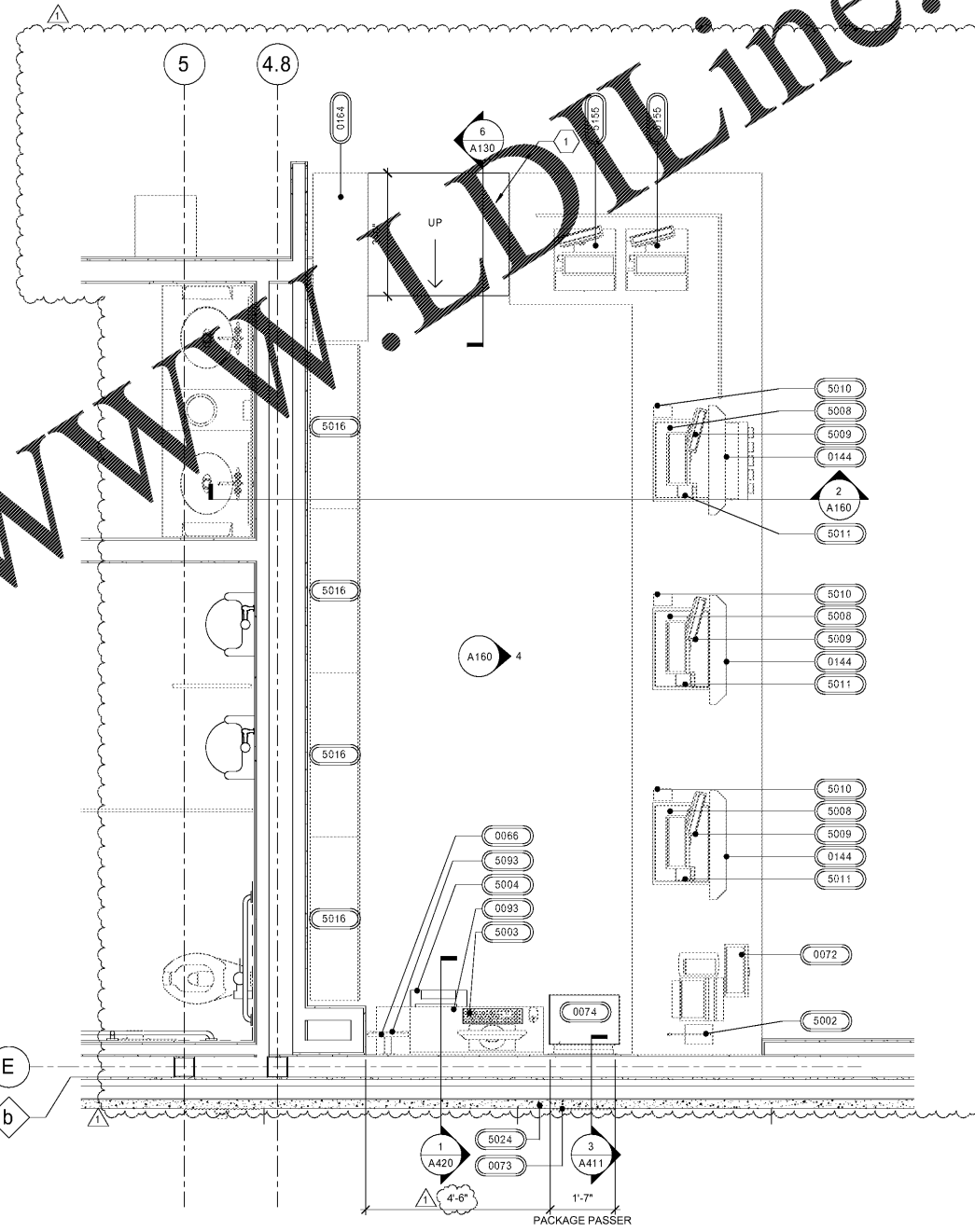
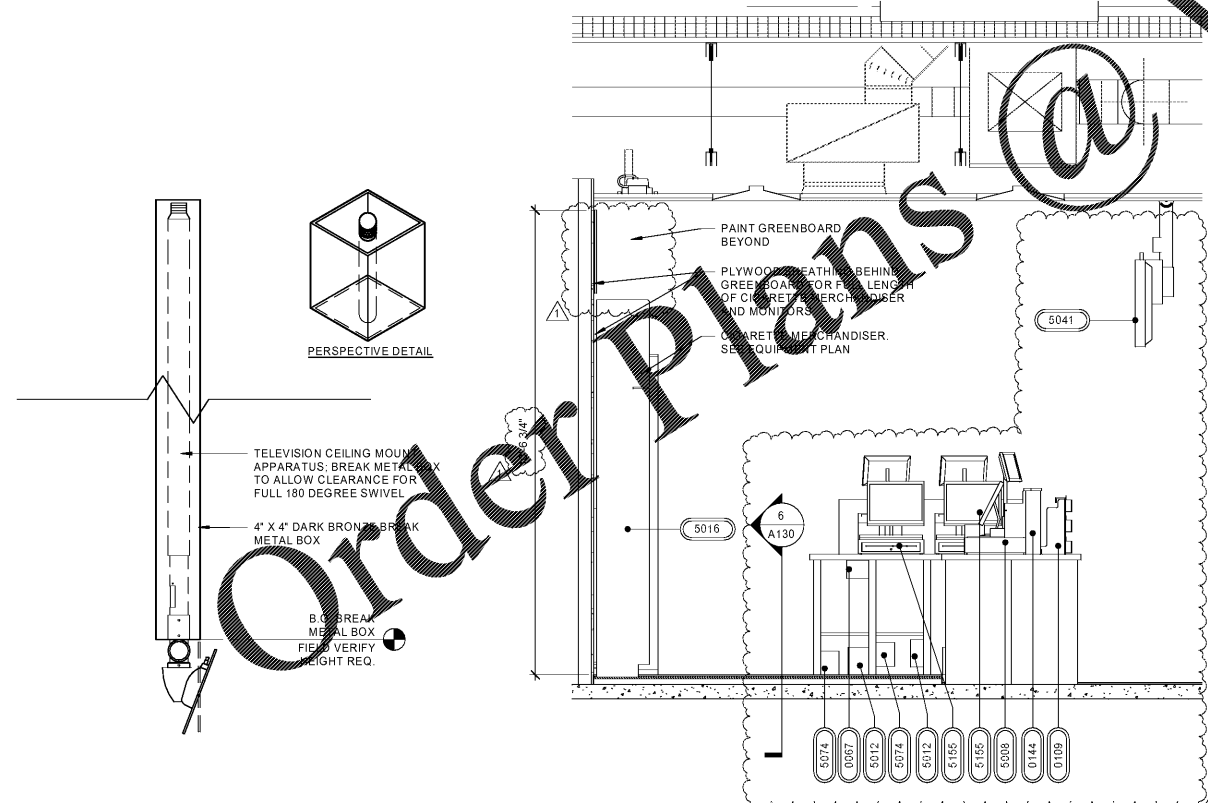


4 CASH WRAP ELEVATION
1/2" = 1'-0"

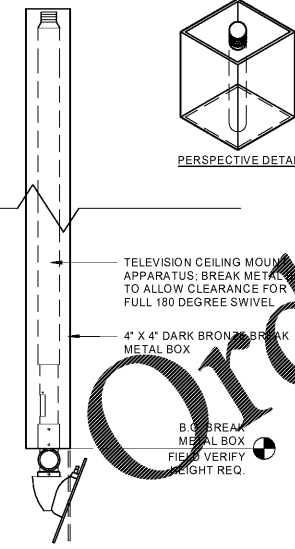


1 ENLARGED CASH WRAP PLAN
1/2" = 1'-0"



2 SECTION BEHIND CASH WRAP
1/2" = 1'-0"

3 BREAK METAL BOX
6" = 1'-0"



GENERAL NOTES

1. DO NOT SCALE PLANS

RaceTrac.
COPYRIGHT NOTICE
 THESE PLANS ARE SUBJECT TO FEDERAL
 COPYRIGHT LAWS; ANY USE OF SAME
 WITHOUT THE EXPRESSED WRITTEN
 PERMISSION OF RACETRAC PETROLEUM,
 INC. IS PROHIBITED. 2016 RACETRAC
 PETROLEUM INC.

DESIGN PROFESSIONALS



ISSUE/REVISION RECORD

DATE	DESCRIPTION
01/25/19	PERMIT SET
03/16/20	REFRESH TO 2020.01.13

RaceTrac.
 RACETRAC PETROLEUM, INC.
 200 GALLERIA PARKWAY SOUTHEAST
 SUITE 900
 ATLANTA, GEORGIA 30339
 (770) 431-7600

PROJECT NAME
HWY 316 @ 81

BETHLEHEM
 GA 30620
 839 LOGANVILLE HWY

RACETRAC STORE NUMBER
#1304

PROTOTYPE SERIES 5.5K 2.0
 2018 LH MO 0405

PLAN MODIFICATION NOTICE
 SPB NO. 0405 DATE 12/18/18

STANDARD PLAN BULLETINS (SPB) MODIFY THE PROTOTYPE SERIES SET NOTED ABOVE. THE LISTED SPB REPRESENTS THE LATEST MODIFICATION INCORPORATED TO THIS PROTOTYPE SERIES SET AT ORIGINAL RELEASE. THE ISSUE/REVISION RECORD COLUMN ABOVE LISTS ANY REVISIONS OR SPB INCORPORATED IN THIS SET AFTER THE ORIGINAL RELEASE. CONTACT RACETRAC ENGINEERING AND CONSTRUCTION FOR ANY SUBSEQUENT BULLETINS NOT INCORPORATED HEREIN.

PROFESSIONAL SEAL

PROJECT NUMBER
 2018157.19

SHEET TITLE
ENLARGED CASH WRAP AND DETAILS

SHEET NUMBER
A160

WWW.LDILine.com

Order Plans @