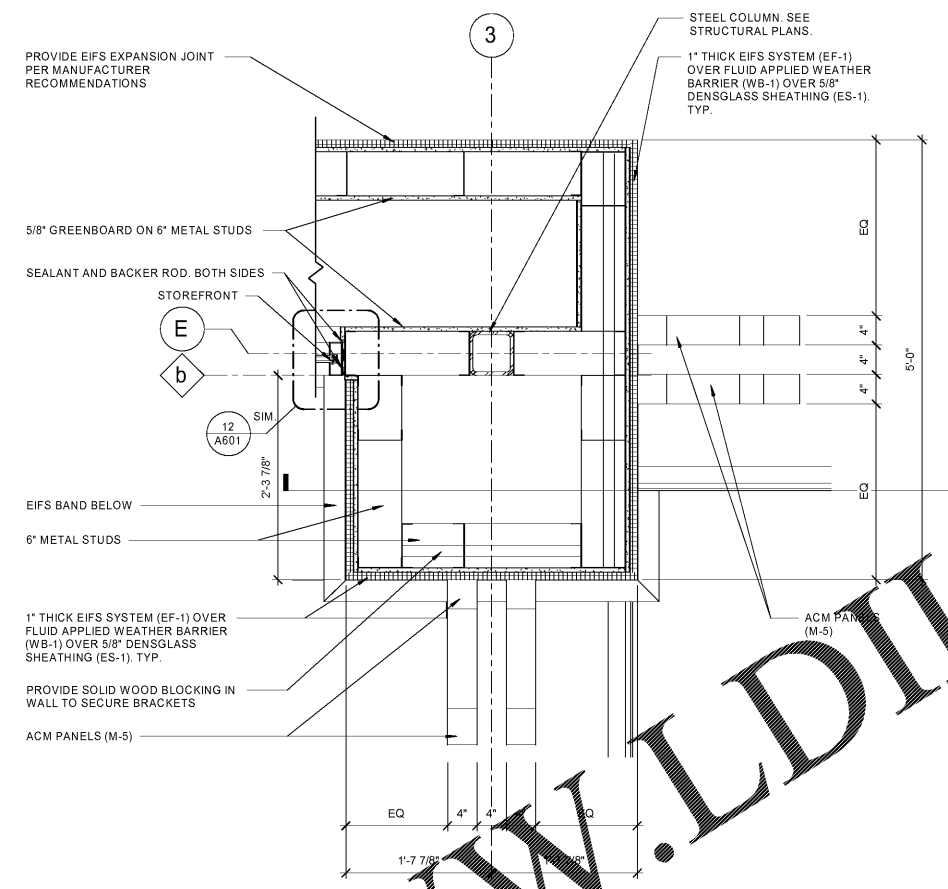
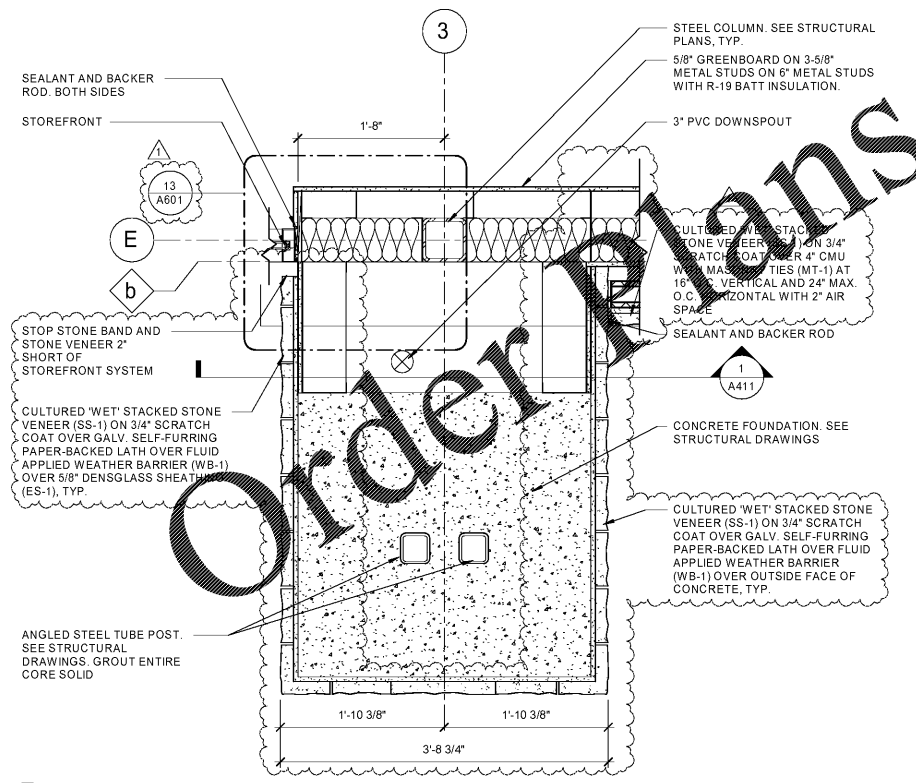


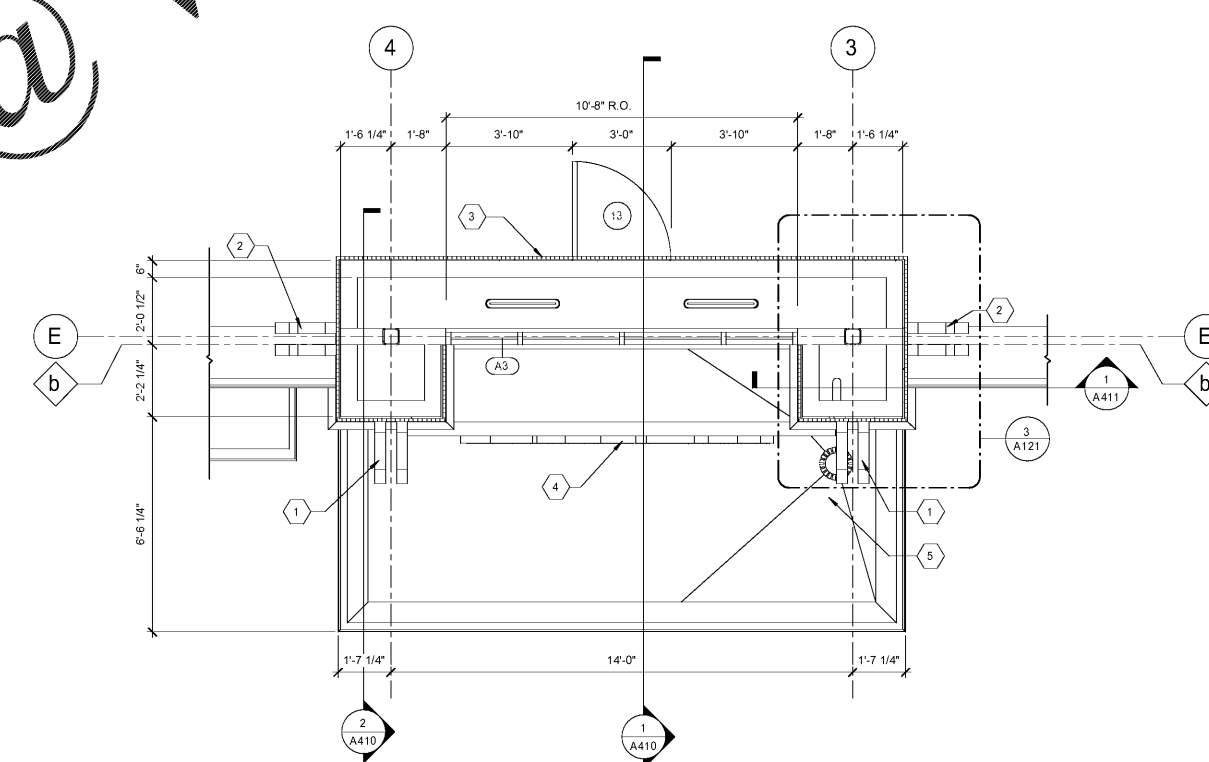
4 ENLARGED FRONT PIER @ 5'-0" A.F.F.
1" = 1'-0"



3 ENLARGED FRONT PIER AT 21'-0" A.F.F.
1" = 1'-0"



2 ENLARGED FRONT PIER @ 1'-0" A.F.F.
1" = 1'-0"



1 ENTRY TOWER FLOOR PLAN
3/8" = 1'-0"

- GENERAL NOTES**
1. ALL DIMENSIONS ARE TO FACE OF STUD UNLESS NOTED OTHERWISE (U.N.O.) AS INDICATED WITH AN ASTERISK (*).
 2. ALL DIMENSIONS NOTED TO BE FIELD VERIFIED ARE CRITICAL TO THE FLOOR PLAN LAYOUT. G.C. TO FIELD VERIFY ALL DIMENSIONS AND NOTIFY ARCHITECT WITH ANY DISCREPANCIES.
 3. SEE SHEET A300 FOR EXTERIOR ELEVATIONS AND MATERIAL SCHEDULE.
 4. SEE SHEET A500 FOR INTERIOR FINISH SCHEDULE.
 5. SEE SHEET A501 AND A502 FOR INTERIOR ELEVATIONS.

RaceTrac
COPYRIGHT NOTICE
 THESE PLANS ARE SUBJECT TO FEDERAL COPYRIGHT LAWS; ANY USE OF SAME WITHOUT THE EXPRESSED WRITTEN PERMISSION OF RACETRAC PETROLEUM, INC. IS PROHIBITED. 2016 RACETRAC PETROLEUM, INC.

DESIGN PROFESSIONALS

GPD GROUP
 Professional Corporation
 520 S. MAIN STREET, STE 2531
 AKRON, OH 44311

ISSUE/REVISION RECORD

| DATE | DESCRIPTION |
|----------|----------------------|
| 01/25/19 | PERMIT SET |
| 03/16/20 | REFRESH TO 2020.0113 |

RaceTrac
 RACETRAC PETROLEUM, INC.
 200 GALLERIA PARKWAY SOUTHEAST
 SUITE 900
 ATLANTA, GEORGIA 30339
 (770) 431-7600

PROJECT NAME
HWY 316 @ 81

BETHLEHEM
 GA 30620
 839 LOGANVILLE HWY

RACETRAC STORE NUMBER
#1304

PROTOTYPE SERIES 5.5K 2.0
2018 LH MO 0405

PLAN MODIFICATION NOTICE
 SPB NO. 0405 DATE 12/18/18

STANDARD PLAN BULLETINS (SPB) MODIFY THE PROTOTYPE SERIES SET NOTED ABOVE. THE LISTED SPB REPRESENTS THE LATEST MODIFICATION INCORPORATED TO THIS PROTOTYPE SERIES SET AT ORIGINAL RELEASE. THE ISSUE/REVISION RECORD COLUMN ABOVE LISTS ANY REVISIONS OR SPB INCORPORATED IN THIS SET AFTER THE ORIGINAL RELEASE. CONTACT RACETRAC ENGINEERING AND CONSTRUCTION FOR ANY SUBSEQUENT BULLETINS NOT INCORPORATED HEREIN.

PROFESSIONAL SEAL

PROJECT NUMBER
 2018157.19

SHEET TITLE
TOWER FLOOR DIMENSION PLAN AND DETAILS

SHEET NUMBER
A121

WWW.LDILine.com

Order Plans

TOWER PLAN LEGEND
 R.O. ROUGH OPENING