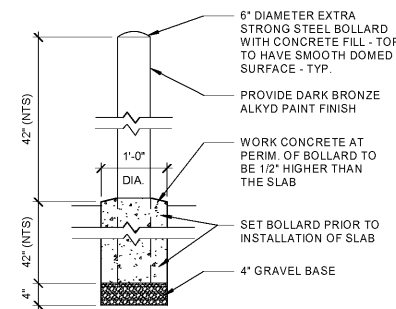
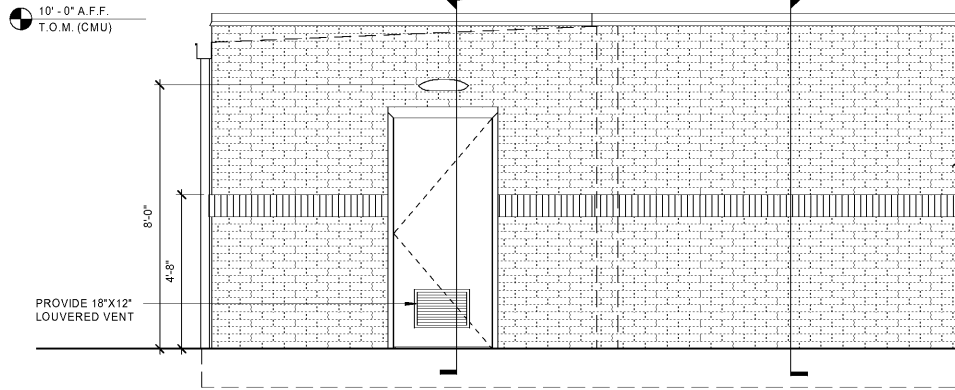


7 TYPICAL GATE POST  
3/4" = 1'-0"

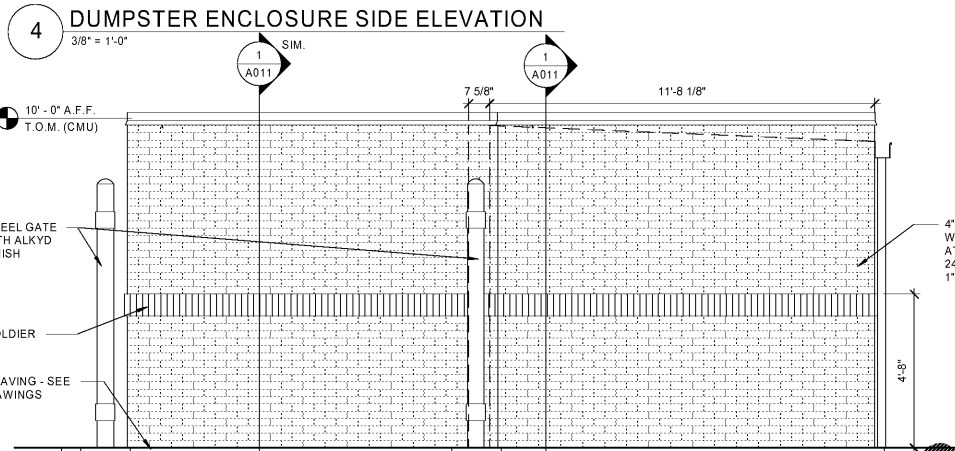


6 TYPICAL BOLLARD  
3/4" = 1'-0"

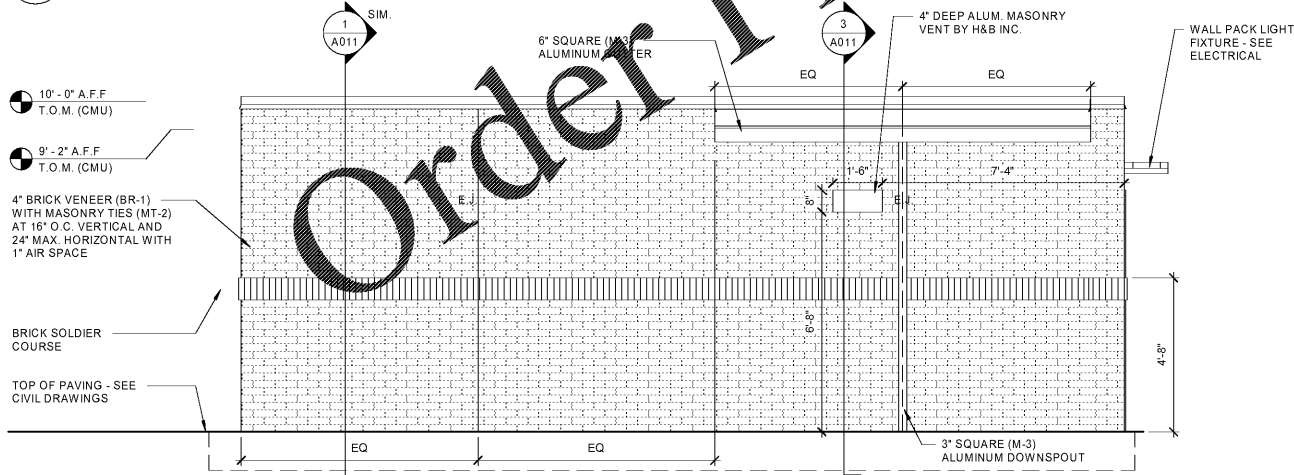
**DUMPSTER ENCLOSURE ROOFING SYSTEM:**  
ENGLERT METAL ROOF SYSTEM SERIES 2500; 1-3/4" HIGH STRUCTURAL SNAP LOCK STANDING SEAM WITH NO BATTEN. PANELS ARE 18" WIDE, 24 GAUGE GALVALUME WITH BAKED-ON PERMACOLOR 2000 KYNAR 500 IN SMOOTH FINISH WITH (2) 1/8" HIGH X 1/8" WIDE STYRAN RIBS TO BE SPACED TO DIVIDE INTO THREE EQUAL PARTS. COLOR TO MATCH DARK BRONZE.



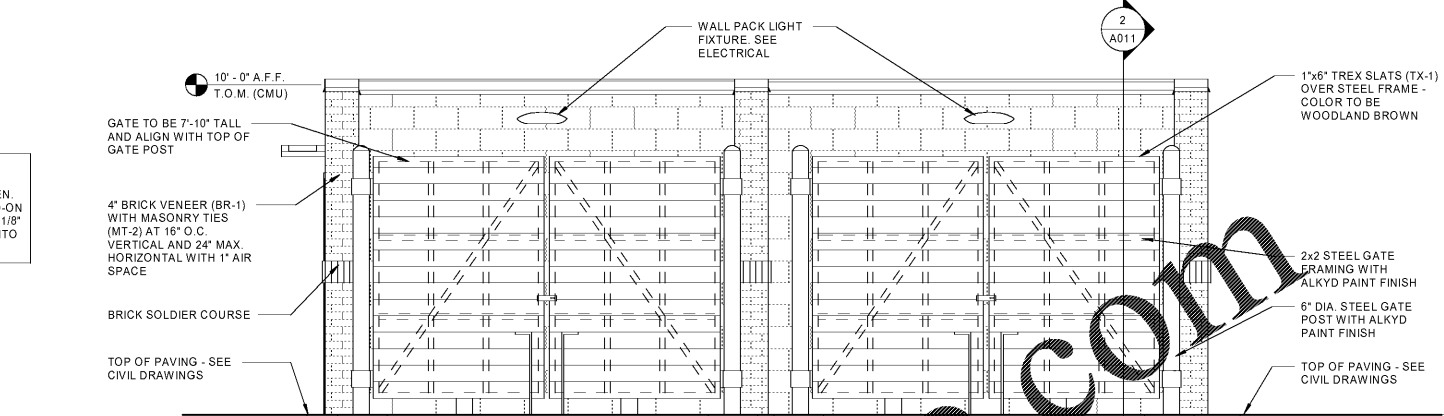
5 DUMPSTER ENCLOSURE FRONT ELEVATION  
3/8" = 1'-0"



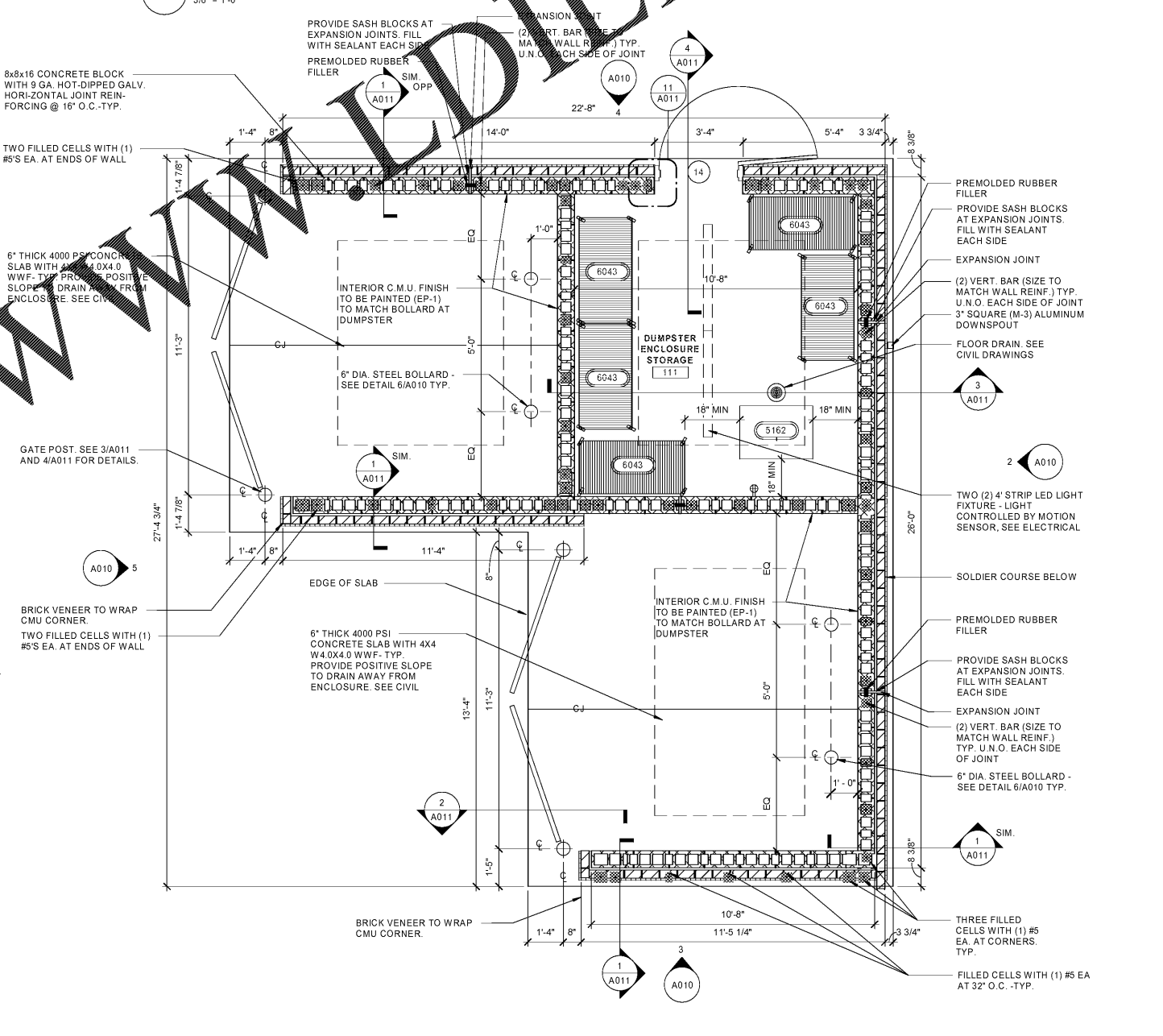
4 DUMPSTER ENCLOSURE SIDE ELEVATION  
3/8" = 1'-0"



3 DUMPSTER ENCLOSURE SIDE ELEVATION  
3/8" = 1'-0"



2 DUMPSTER ENCLOSURE REAR ELEVATION  
3/8" = 1'-0"



1 DUMPSTER ENCLOSURE PLAN  
3/8" = 1'-0"

**RaceTrac.**  
COPYRIGHT NOTICE  
THESE PLANS ARE SUBJECT TO FEDERAL  
COPYRIGHT LAWS; ANY USE OF SAME  
WITHOUT THE EXPRESSED WRITTEN  
PERMISSION OF RACETRAC PETROLEUM,  
INC. IS PROHIBITED. 2016 RACETRAC  
PETROLEUM INC.

DESIGN PROFESSIONALS

**GPD GROUP**  
Professional Corporation  
520 S. MAIN STREET, STE 2531  
AKRON, OH 44311

DATE	DESCRIPTION
01/25/19	PERMIT SET
03/16/20	REFRESH TO 2020.0113

**RaceTrac.**  
RACETRAC PETROLEUM, INC.  
200 GALLERIA PARKWAY SOUTHEAST  
SUITE 900  
ATLANTA, GEORGIA 30339  
(770) 431-7600

PROJECT NAME  
**HWY 316 @ 81**

**BETHLEHEM**  
GA 30620  
839 LOGANVILLE HWY

RACETRAC STORE NUMBER  
**#1304**

PROTOTYPE SERIES 5.5K 2.0  
2018 LH M0 0405

PLAN MODIFICATION NOTICE  
SPB NO. 0405 DATE 12/18/18

STANDARD PLAN BULLETINS (SPB) MODIFY THE  
PROTOTYPE SERIES SET NOTED ABOVE. THE  
LISTED SPB REPRESENTS THE LATEST  
MODIFICATION INCORPORATED TO THIS  
PROTOTYPE SERIES SET AT ORIGINAL RELEASE.  
THE ISSUE/REVISION RECORD COLUMN ABOVE  
LISTS ANY REVISIONS OR SPB INCORPORATED IN  
THIS SET AFTER THE ORIGINAL RELEASE.  
CONTACT RACETRAC ENGINEERING AND  
CONSTRUCTION FOR ANY SUBSEQUENT  
BULLETINS NOT INCORPORATED HEREIN.

PROFESSIONAL SEAL

PROJECT NUMBER  
2018157.19

SHEET TITLE  
**DUMPSTER  
ENCLOSURE PLAN**

SHEET NUMBER  
**A010**

Order Plans @ [www.edline.com](http://www.edline.com)