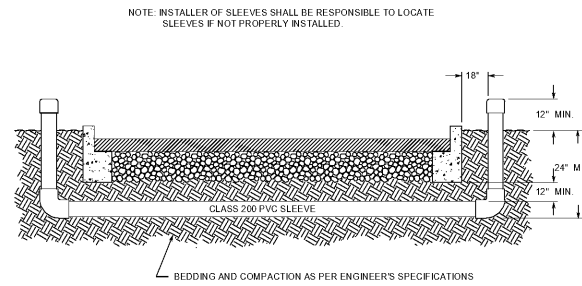
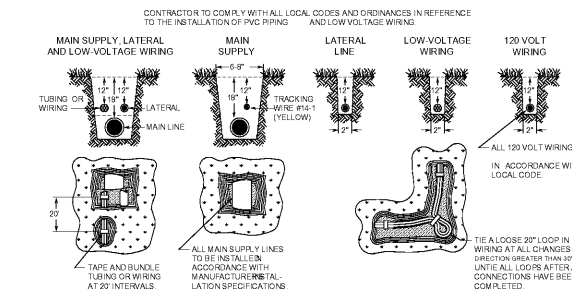


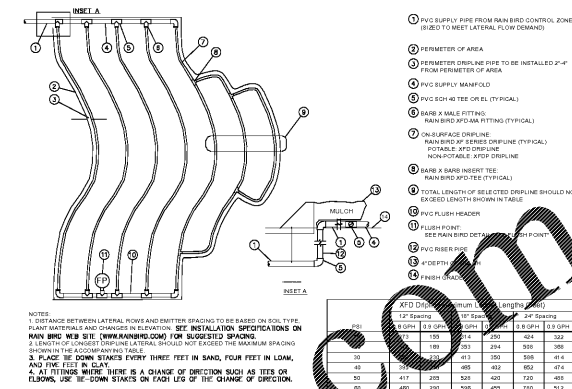
1 MANUAL DRAIN VALVE
L2.1 NTS



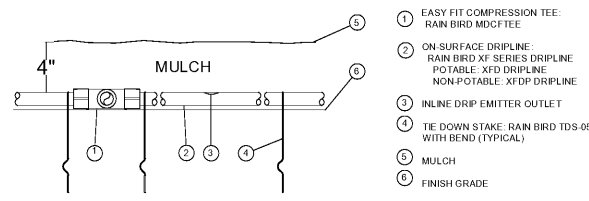
2 SLEEVING
L2.1 NTS



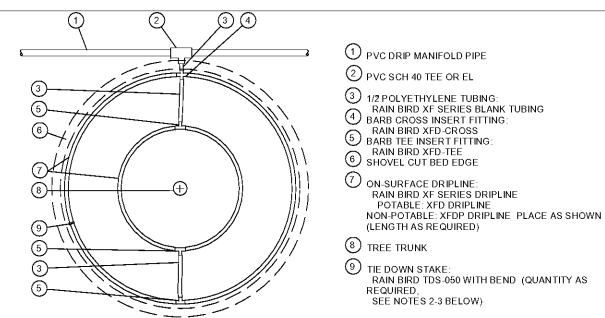
3 TRENCHING
L2.1 NTS



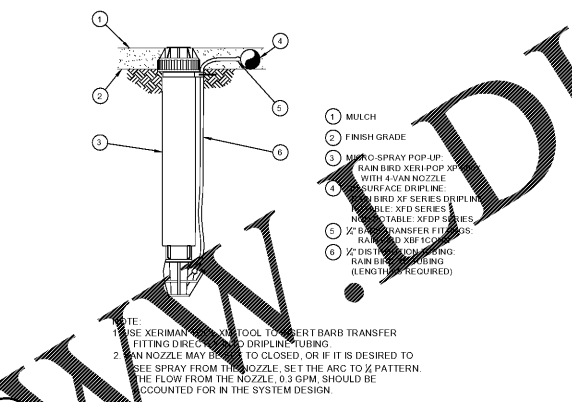
4 MANUAL DRAIN VALVE
L2.1 NTS



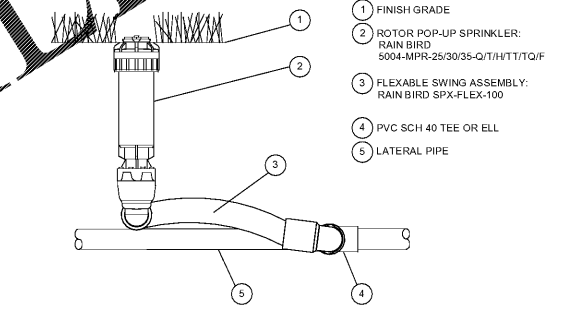
5 LANDSCAPE DRIPLINE ON GRADE
L2.1 NTS



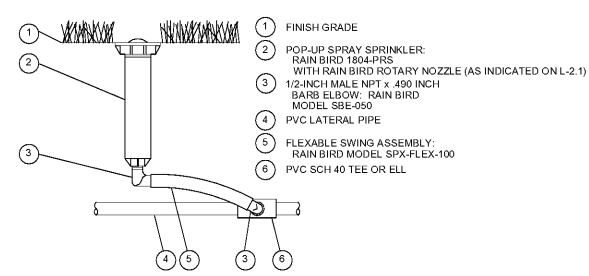
6 DRIPLINE LAYOUT AROUND TREES IN TURF AREA
L2.1 NTS



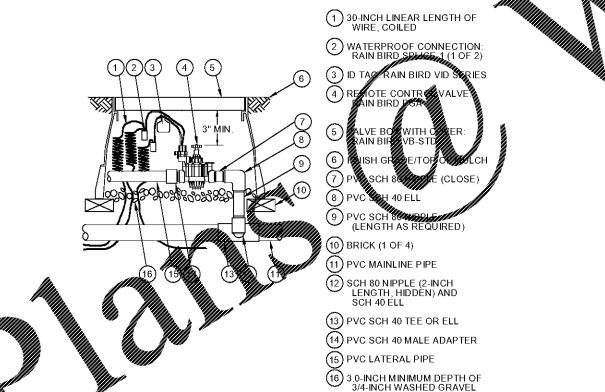
7 DRIPLINE OPERATION INDICATOR
L2.1 NTS



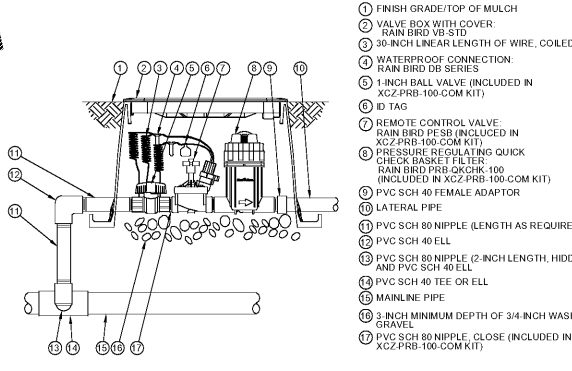
8 ROTOR POP-UP SPRINKLER: 5004-MPR NOZZLE
L2.1 NTS



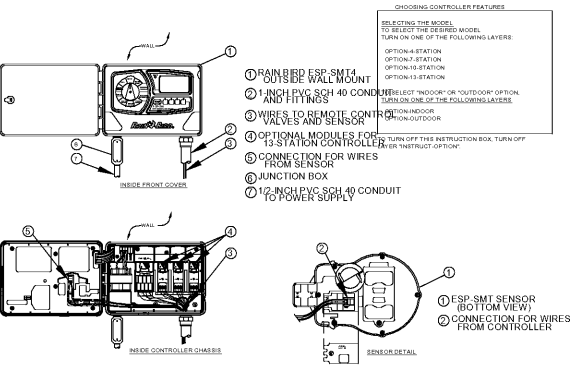
9 ROTARY NOZZLE: 1804 POP-UP SPRAY SPRINKLER
L2.1 NTS



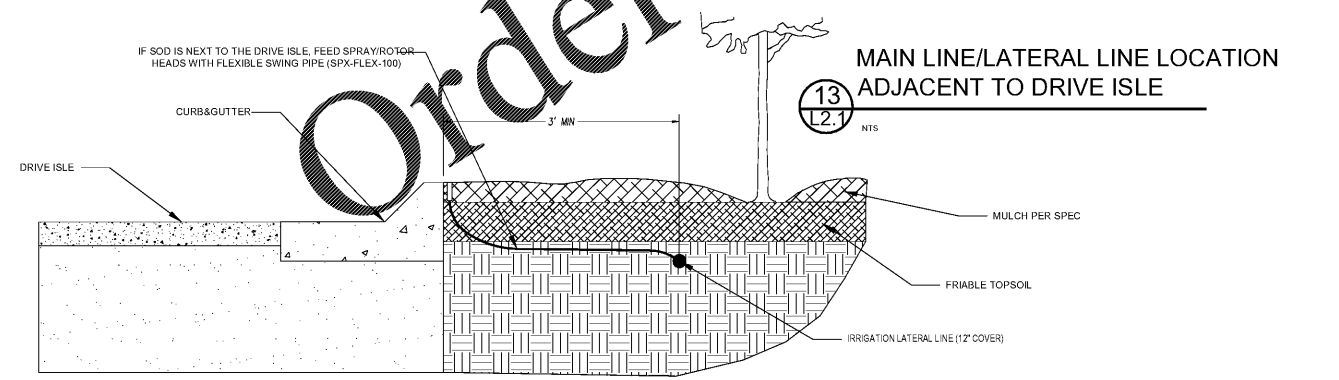
10 TURF VALVE PGA-PRS-D
L2.1 NTS



11 DRIPLINE VALVE: XCZ-PRB-100-B-COM
L2.1 NTS



12 SMART CONTROLLER: ESP-SMT
L2.1 NTS



13 MAIN LINE/LATERAL LINE LOCATION ADJACENT TO DRIVE ISLE
L2.1 NTS

CONTACT RACETRAC PETROLEUM, INC. PROJECT MANAGER PRIOR TO ANY REVISIONS TO THE PLAN SUPPLIED BY RACETRAC PETROLEUM, INC.



DATE

NO.

W&A Engineering
Civil Engineering - Landscape Architectural
Surveying - Soil and Environmental Consulting
Therapeutic Services - Technical Development

THESE PLANS ARE THE PROPERTY OF W&A ENGINEERING. ANY REPRODUCTION OR USE OF THESE PLANS WITHOUT THE WRITTEN PERMISSION OF W&A ENGINEERING IS PROHIBITED.

Racetrac
RACETRAC PETROLEUM, INC.
200 GALLERIA PARKWAY SE
SUITE 900 ATLANTA, GA 30339
(770) 431-7600

IRRIGATION DETAILS
RACETRAC 316@81
839 Loganville Highway
Bethlehem, Georgia
Barrow County

DRAWN-BY: AGRUNER
DATE: 02.28.2018
SCALE: N.T.S.
DRAWING NAME: Conset-17293.dwg
L2.1
SHEET NO. VERSION

FOR BID