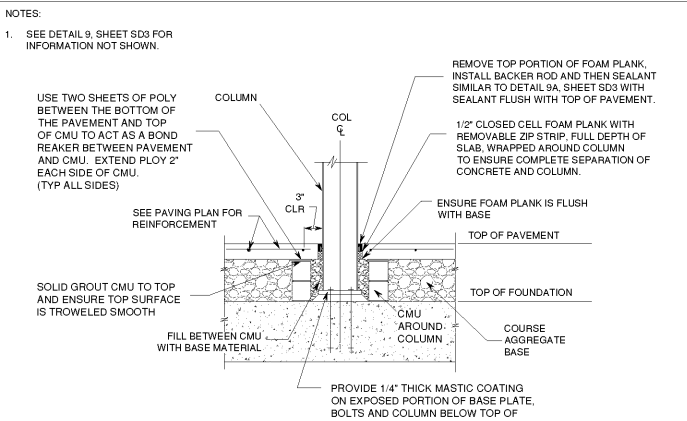
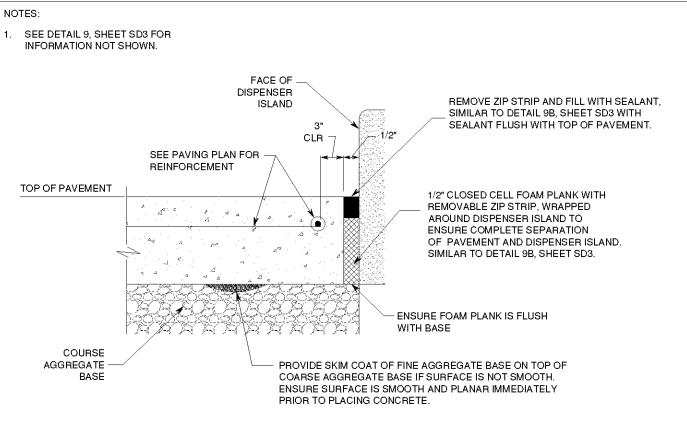


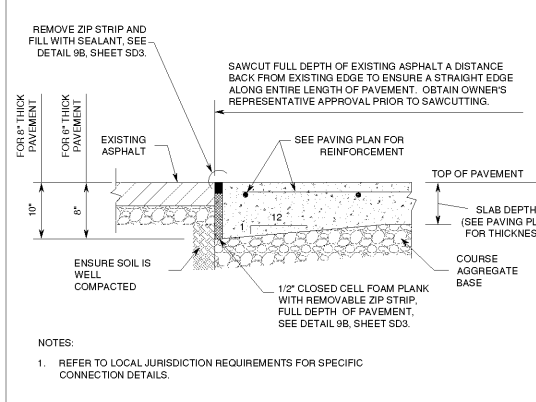
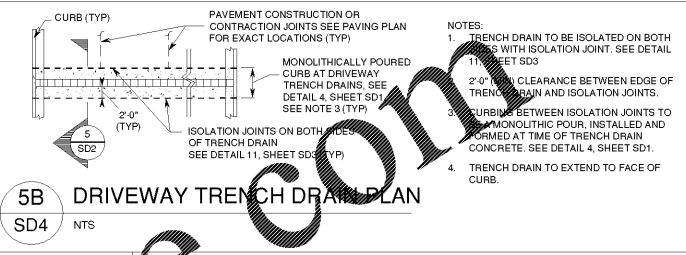
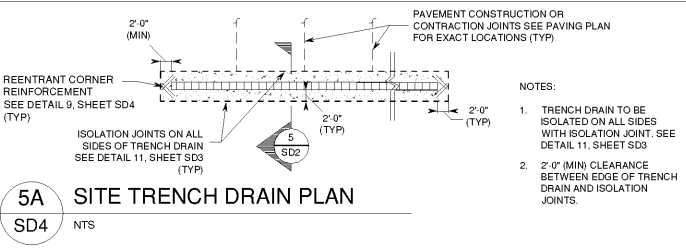
1 CONCRETE DETAIL @ DISPENSER ISLAND
SD4 NTS



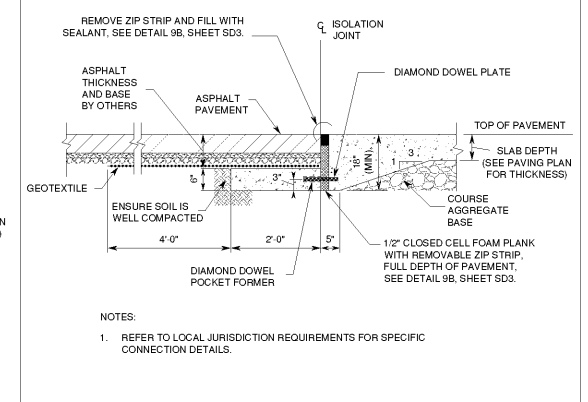
2 CANOPY COLUMN SECTION WITHOUT COLUMN CLADDING
SD4 NTS



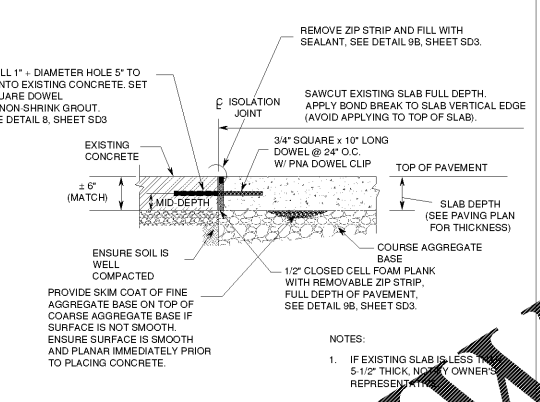
3 DISPENSER ISLAND SECTION
SD4 NTS



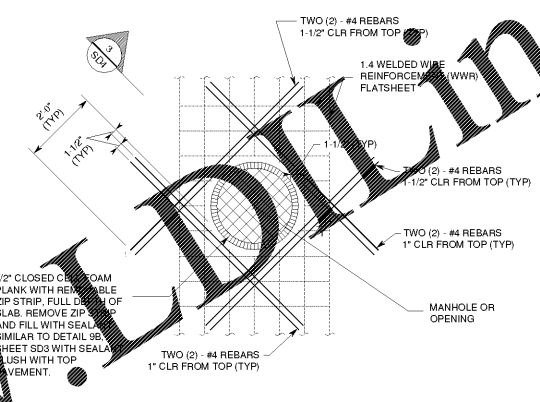
6 CONCRETE / EXISTING ASPHALT SECTION
SD4 NTS



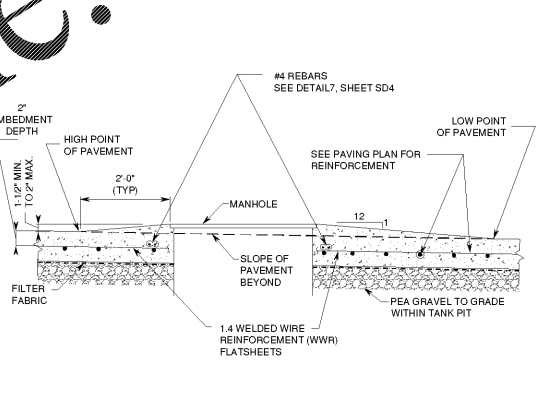
6A CONCRETE / NEW ASPHALT SECTION
SD4 NTS



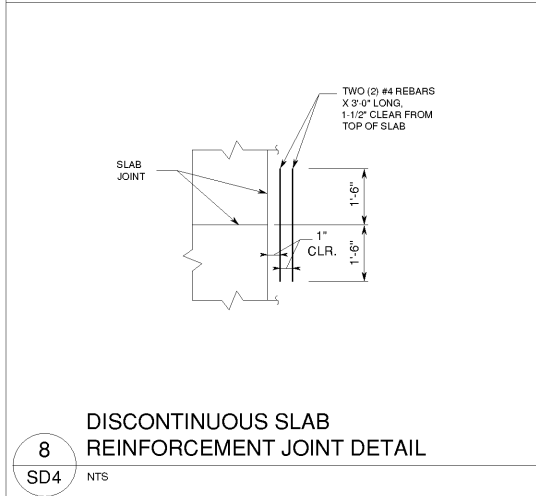
6B CONCRETE / EXISTING CONCRETE SECTION
SD4 NTS



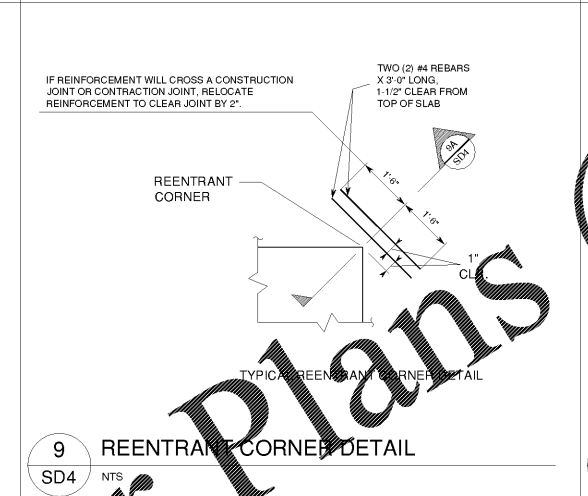
7 TANK MANHOLE PLAN
SD4 NTS



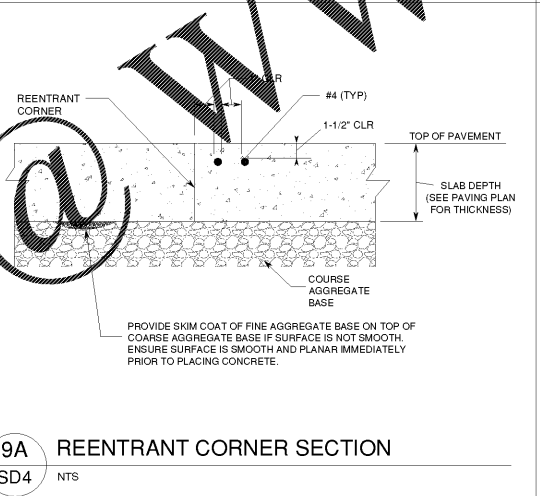
7A TANK MANHOLE SECTION
SD4 NTS



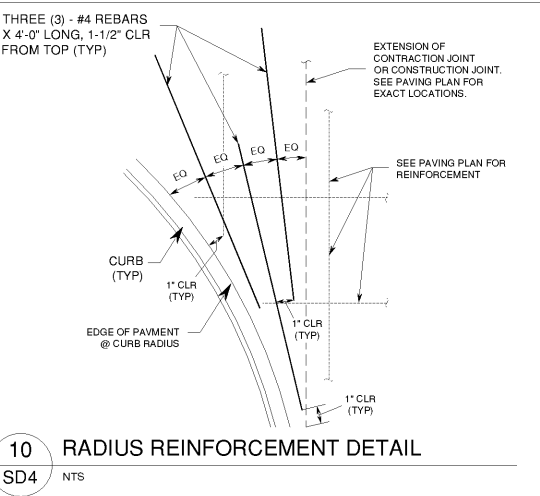
8 DISCONTINUOUS SLAB REINFORCEMENT JOINT DETAIL
SD4 NTS



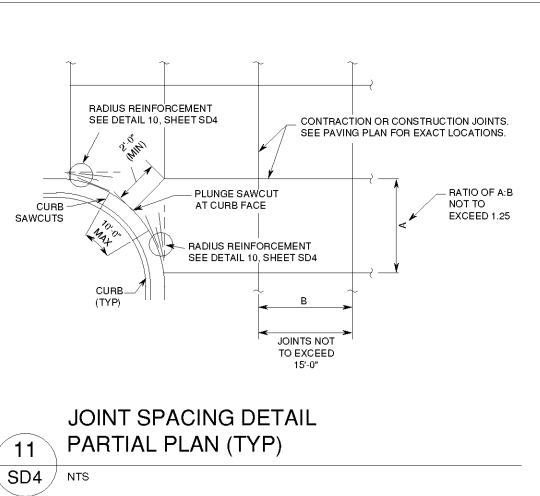
9 REINTEGRANT CORNER DETAIL
SD4 NTS



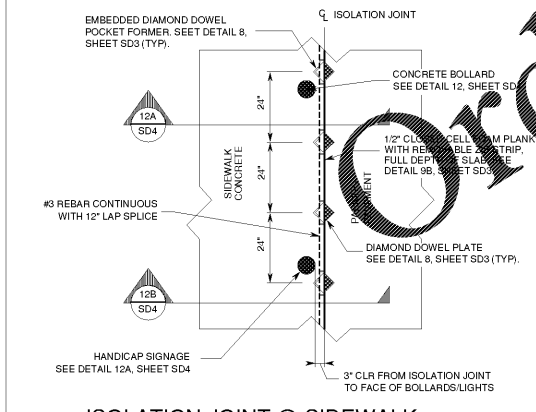
9A REINTEGRANT CORNER SECTION
SD4 NTS



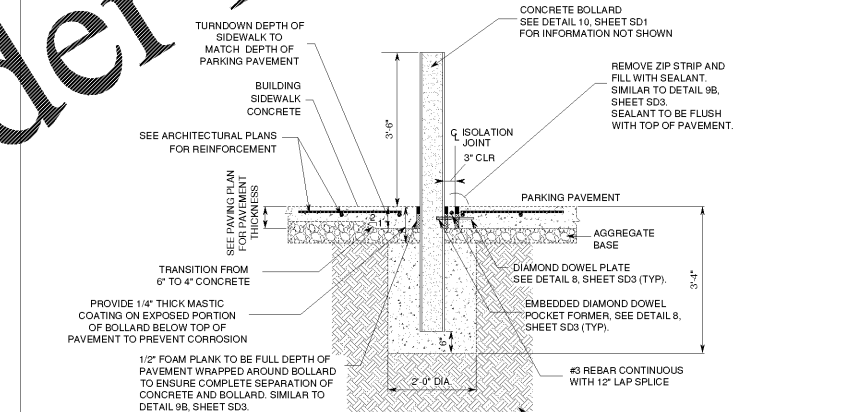
10 RADIUS REINFORCEMENT DETAIL
SD4 NTS



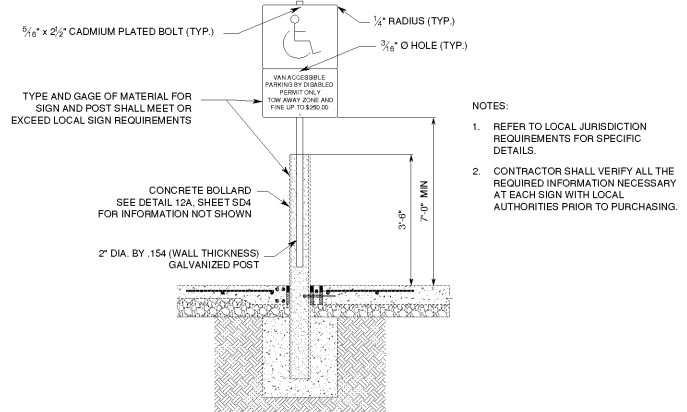
11 JOINT SPACING DETAIL PARTIAL PLAN (TYP)
SD4 NTS



12 ISOLATION JOINT @ SIDEWALK PARTIAL PLAN
SD4 NTS



12A BOLLARD @ SIDEWALK SECTION
SD4 NTS



12B HANDICAP SIGNAGE DETAIL
SD4 NTS

03.03.2020	02.13.2020	02.11.2019	DATE
3	2	1	NO.
REVISED PER RACETRAC COMMENTS	REVISED PER RACETRAC COMMENTS	REVISED PER RACETRAC COMMENTS	
<p>THESE PLANS ARE PRELIMINARY. ANY USE OF SAME WITHOUT THE EXPRESSED WRITTEN PERMISSION OF RACETRAC PETROLEUM, INC. IS PROHIBITED.</p>			
<p>RACETRAC STANDARD DETAILS RACETRAC 316@81 839 Loganville Highway Bethlehem, Georgia Barrow County</p>			
DRAWN-BY	AGRUNER	DATE	3/3/2020
SCALE		DRAWING NAME:	RT Details 17293.dwg
SD4		SHEET NO.	VERSION