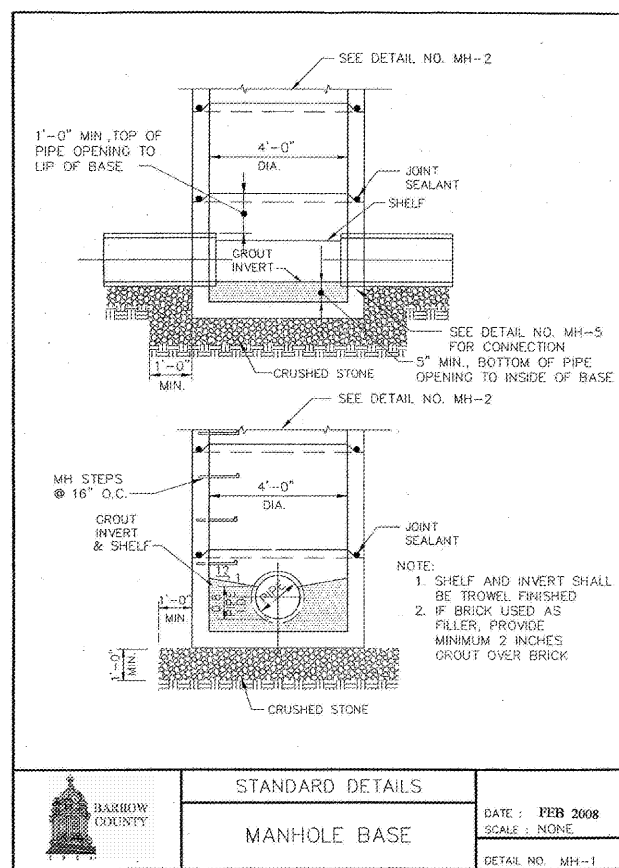
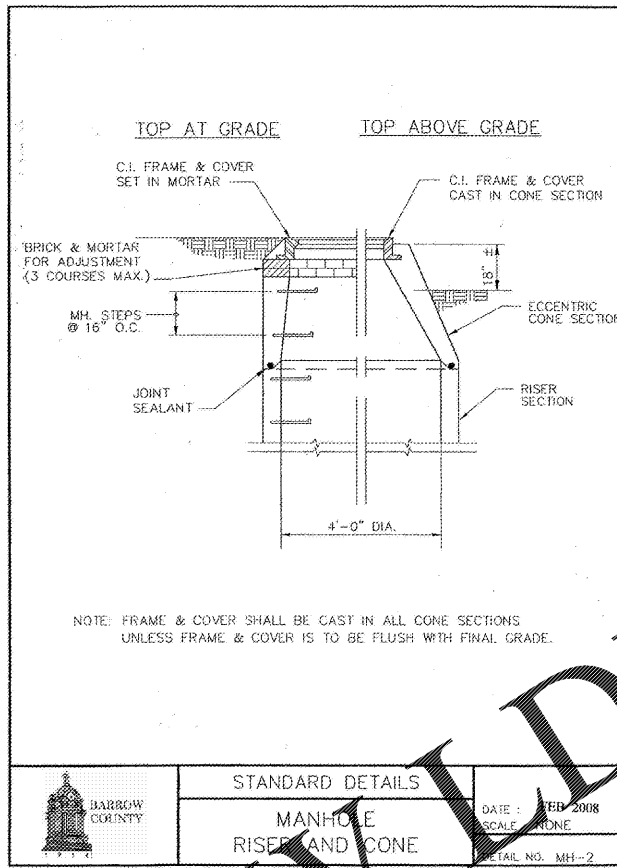


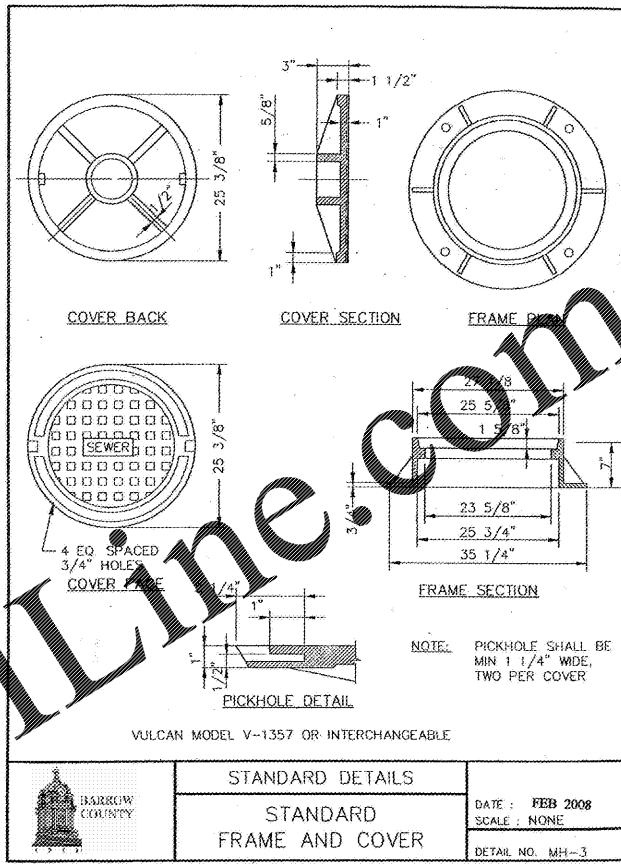
STANDARD DETAILS
GREASE TRAP
DATE: FEB 2008
SCALE: NONE
DETAIL NO. SS-6



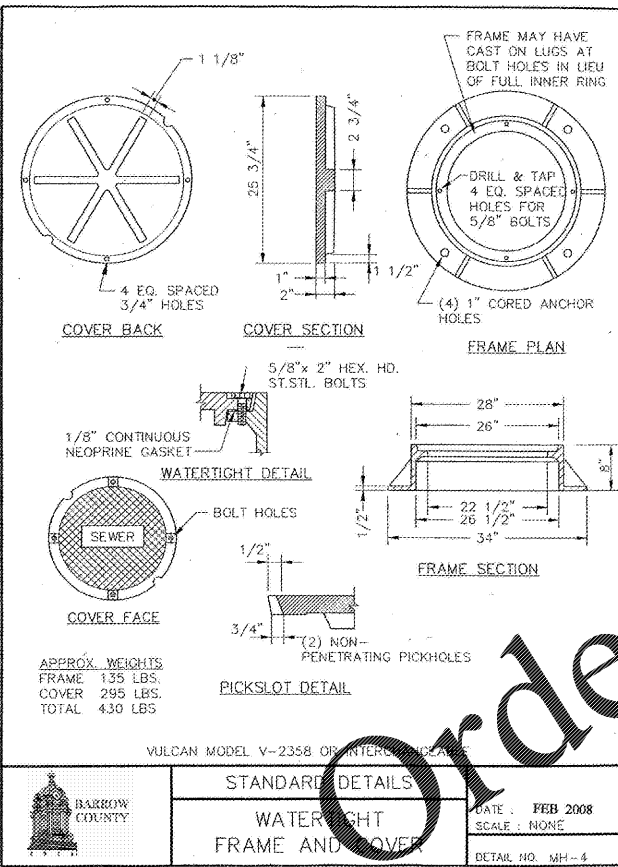
STANDARD DETAILS
MANHOLE BASE
DATE: FEB 2008
SCALE: NONE
DETAIL NO. MH-1



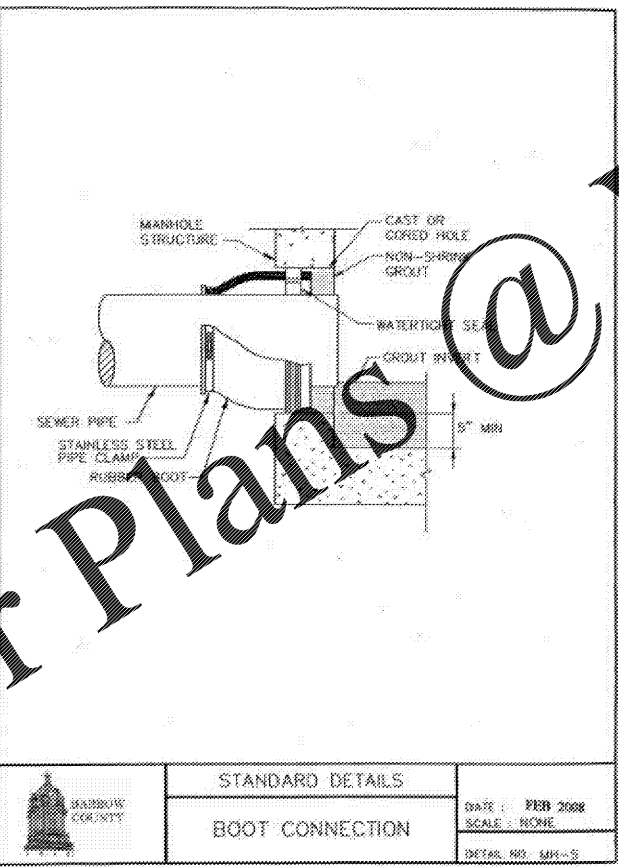
STANDARD DETAILS
MANHOLE RISER AND CONE
DATE: FEB 2008
SCALE: NONE
DETAIL NO. MH-2



STANDARD DETAILS
STANDARD FRAME AND COVER
DATE: FEB 2008
SCALE: NONE
DETAIL NO. MH-3



STANDARD DETAILS
WATER TIGHT FRAME AND COVER
DATE: FEB 2008
SCALE: NONE
DETAIL NO. MH-4



STANDARD DETAILS
BOOT CONNECTION
DATE: FEB 2008
SCALE: NONE
DETAIL NO. MH-5

CONTACT RACETRAC PETROLEUM, INC. PROJECT MANAGER PRIOR TO ANY REVISIONS TO THE PLAN SUPPLIED BY RACETRAC PETROLEUM, INC.



W&A Engineering
CIVIL ENGINEERING - LANDSCAPE ARCHITECTURE
DIRECTOR - SOIL AND ENVIRONMENTAL CONSULTING
THEIR SERVICES - TECHNICAL SUPPORT

REVISIONS:

| NO. | DATE | REVISIONS |
|-----|------------|---|
| 4 | 10.07.2019 | REVISED PER DEVELOPER CHANGES |
| 3 | 10.05.2018 | REVISED PER BARROW COUNTY & RACETRAC COMMENTS |
| 2 | 08.01.2018 | REVISED PER BARROW COUNTY, GASWCC & RACETRAC COMMENTS |
| 1 | 05.17.2018 | REVISED PER BARROW COUNTY, GASWCC & RACETRAC COMMENTS |

THESE PLANS ARE GENERAL CONCEPTS. ANY USE OF SAME WITHOUT THE EXPRESSED WRITTEN PERMISSION OF RACETRAC PETROLEUM, INC. IS PROHIBITED.

Racetrac
RACETRAC PETROLEUM, INC.
200 GALLERIA PARKWAY SE
SUITE 900 ATLANTA, GA 30339
(770) 431-7600

UTILITY DETAILS
RACETRAC 316@81
839 Loganville Highway
Bethlehem, Georgia
Barrow County

DRAWN-BY: AGRUNER
DATE: 02.28.2018
SCALE: NTS
DRAWING NAME: Conset-17293.dwg
C8.3
SHEET NO. VERSION