

**POND "A" OUTLET CONTROL STRUCTURE AND SPILLWAY SECTION DETAIL**

**POND PLANTING**  
(PER TABLE F-2, GEORGIA STORMWATER MANAGEMENT MANUAL VOL-2)

KEY	ZONE	ZONE DESCRIPTION	COMMON NAME	SCIENTIFIC NAME	SEEDING RATE / PLANTING SPACING	PLANT SIZE	AREA (SF)	NOTES
	ZONE 1	1' BELOW POOL	YELLOW POND LILY	NUPHAR LUTEUM	SPACED 3'-6" FT APART	3" POT	1,265 SF	65 EA
	ZONE 2	0' 1" BELOW POOL	SWEET FLAG	JUNCUS EFFUSUS	SPACED 3'-6" FT APART	3" POT	1,646 SF	67 EA
	ZONE 3	0' 1" ABOVE POOL	BUSHY BROOM GRASS	ANDROPOGON GLOMERATUS	ROOT STOCK SPACED 7' APART	ROOT	11,607 SF	147 EA
	ZONE 4	1' 4" ABOVE POOL	BROME GRASS	ANDROPOGON VIRGINICUS	10 LBS PER ACRE 1/4" DEEP	SEED	10,676 SF	3 LB
	ZONE 5	4' 4" ABOVE POOL	FESCUE	FESCUE ARUNDINACEA	30 LBS PER ACRE	SEED	2,085 SF	15 LB

- NOTES:**
- CONTRACTOR MAY REFER TO TABLE F-2 LOCATED IN APPENDIX F OF THE GEORGIA STORMWATER MANAGEMENT MANUAL FOR PLANTING ZONES. ALL PLANT MATERIALS SHALL MEET MINIMUM REQUIREMENTS AS SET FORTH IN THE LATEST EDITION OF AMERICAN STANDARD FOR PLANTING STOCKS.
  - ALL PLANTS SHALL BE HEALTHY, VIGOROUS SPECIMENS, FREE OF ALL PESTS AND DISEASE.
  - ALL PLANTS ARE SUBJECT TO THE APPROVAL OF THE LANDSCAPE ARCHITECT/ENGINEER OR OWNER BEFORE, DURING, AND AFTER INSTALLATION.
  - DO NOT ALLOW AIR Pockets TO FORM WHEN BACK FILLING.
  - IMMEDIATELY SOAK NEW PLANTINGS WITH WATER.
  - CONTRACTOR IS FULLY RESPONSIBLE FOR MAINTENANCE, INCLUDING WATERING, SETTLING, AND STAKING THIS WORK UNTIL THE DATE OF SUBSTANTIAL COMPLETION.
  - THE LANDSCAPE CONTRACTOR IS ADVISED OF THE UNDERGROUND UTILITIES AND SHALL CHECK LOCATION OF SAME BEFORE COMMENCING DIGGING OPERATIONS.
  - LANDSCAPE CONTRACTOR SHALL CONSTRUCT AND SWAGE BERMS AS SHOWN ON THE LANDSCAPE ARCHITECT/ENGINEER'S DRAWINGS.
  - CONTRACTOR SHALL FULLY GUARANTEE ALL PLANTS FOR A PERIOD OF ONE (1) YEAR BEGINNING ON THE DATE OF SUBSTANTIAL COMPLETION.
  - CONTRACTOR SHALL BE RESPONSIBLE FOR HIS OWN TAKE OFF QUANTITIES AND REPORT ANY DISCREPANCIES TO THE LANDSCAPE ARCHITECT/ENGINEER.

**POND "A" PLANTING LEGEND & QUANTITIES**

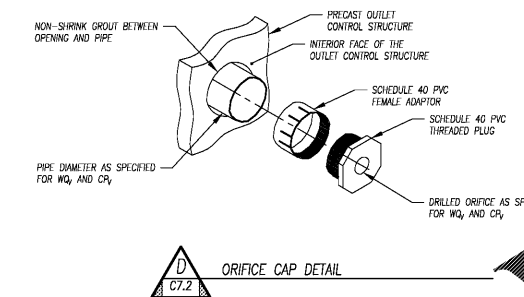
FOREBAY STAGE/STORAGE	AREA (SF)	VOLUME (CF)	STORAGE (CF)
925.0	5,344	N/A	0
926.0	18,737	11,362	1,362
927.0	26,810	22,653	34,015
928.0	28,976	27,886	61,901
929.0	31,198	30,080	91,981
930.0	33,476	32,330	124,311

MICROPOOL STAGE/STORAGE			
ELEV	AREA (SF)	VOLUME (CF)	STORAGE (CF)
925.0	570	N/A	0
926.0	1,989	1,184	1,184
927.0	1,825	1,502	2,786
928.0	2,074	874	3,729
929.0	3,007	1,263	4,992
930.0	3,944	4,125	8,117

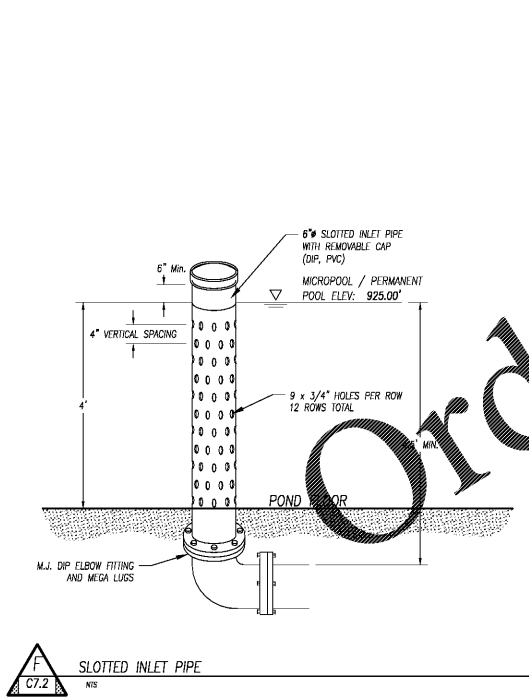
**POND "A" FOREBAY AND MICROPOOL STAGE/STORAGE**

POND STAGE/STORAGE			
ELEV	AREA (SF)	VOLUME (CF)	STORAGE (CF)
925.0	5,344	N/A	0.00
926.0	18,737	11,362	11,362
927.0	26,810	22,653	34,015
928.0	28,976	27,886	61,901
929.0	31,198	30,080	91,981
930.0	33,476	32,330	124,311

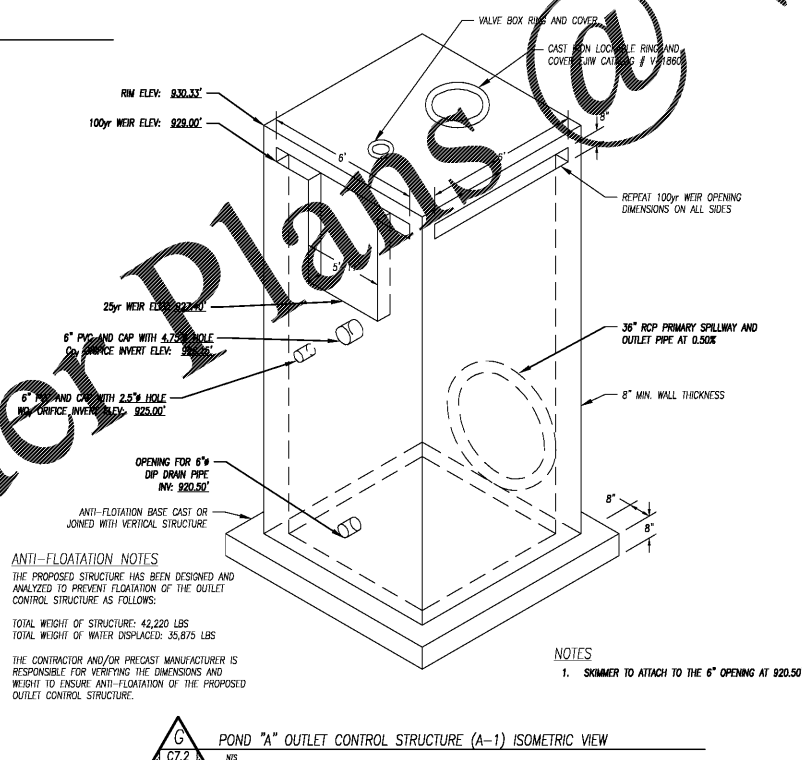
**POND "A" STAGE/STORAGE TABLE**



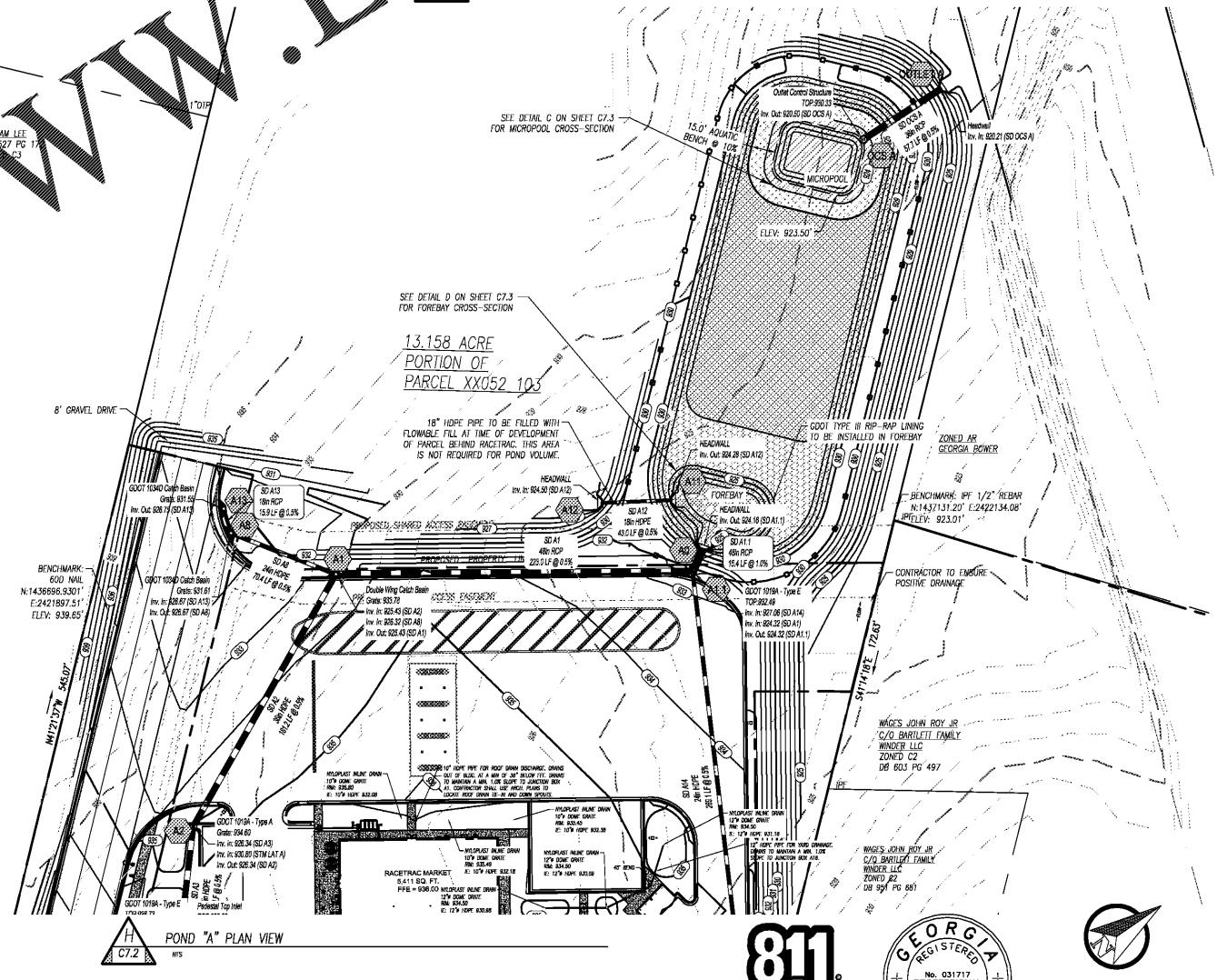
**ORIFICE CAP DETAIL**



**SLOTTED INLET PIPE**



**POND "A" OUTLET CONTROL STRUCTURE (A-1) ISOMETRIC VIEW**



**POND "A" PLAN VIEW**



Know what's below. Call before you dig.



FOR BID



CONTACT RACETRAC PETROLEUM, INC. PROJECT MANAGER PRIOR TO ANY REVISIONS TO THE PLAN SUPPLIED BY RACETRAC PETROLEUM, INC.

10.07.2019  
01.14.2019  
12.03.2018  
10.05.2018  
08.01.2018  
05.17.2018

DATE

6 REVISED PER DEVELOPER CHANGES  
5 REVISED PER GDOT & RACETRAC COMMENTS  
4 REVISED PER GDOT & RACETRAC COMMENTS  
3 REVISED PER BARROW COUNTY & RACETRAC COMMENTS  
2 REVISED PER BARROW COUNTY, GASWCC & RACETRAC COMMENTS  
1 REVISED PER BARROW COUNTY, GASWCC & RACETRAC COMMENTS

NO.

W&A Engineering  
Civil Engineering - Landscape Architecture  
Surveying - Soil and Environmental Engineering  
Therapeutic Services - Economic Development

THESE PLANS ARE PRELIMINARY. ANY USE OF SAME WITHOUT THE EXPRESSED WRITTEN PERMISSION OF RACETRAC PETROLEUM, INC. IS PROHIBITED.

Racetrac  
RACETRAC PETROLEUM, INC.  
200 GALLERIA PARKWAY SE  
SUITE 600 ATLANTA, GA 30339  
(770) 431-7600

POND DETAILS  
RACETRAC 316@81  
839 Loganville Highway  
Bethlehem, Georgia  
Barrow County

DRAWN BY: AGRUNER  
DATE: 02.28.2018  
SCALE: 1" = 50'  
DRAWING NAME: Conset-17293.dwg  
SHEET NO. C7.2  
VERSION