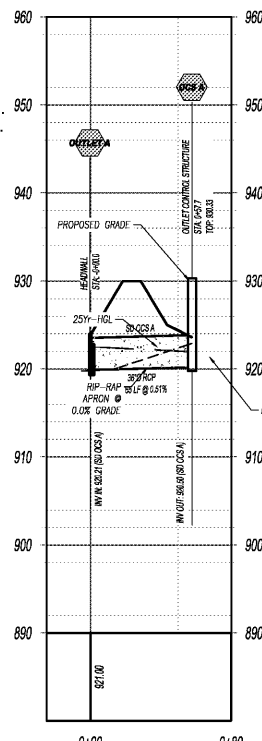
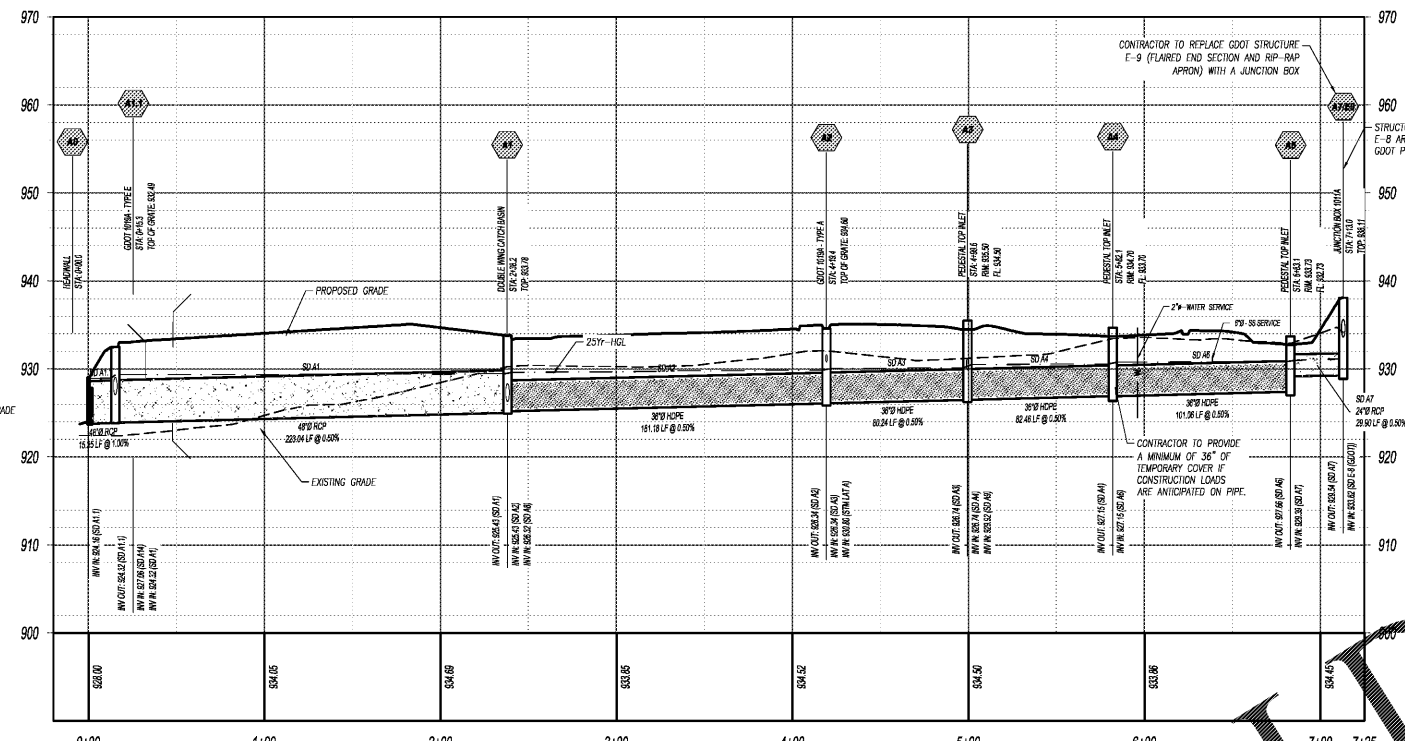




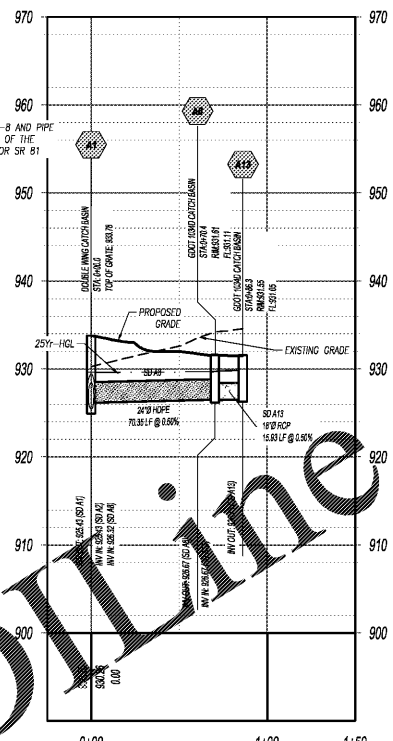
Know what's below. Call before you dig.



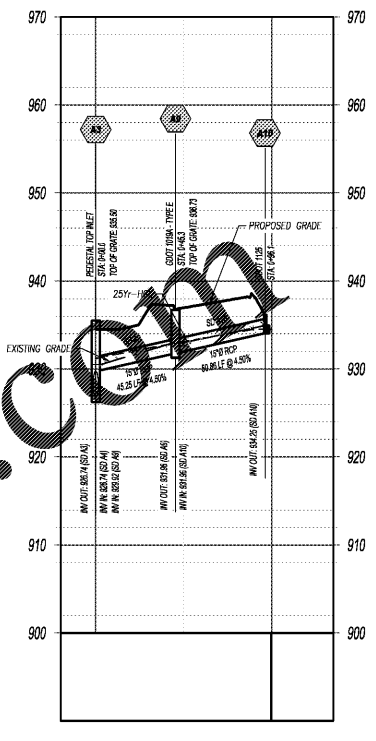
OUTLET A - OCS A
Horz:1"=50'
Vert:1"=10'



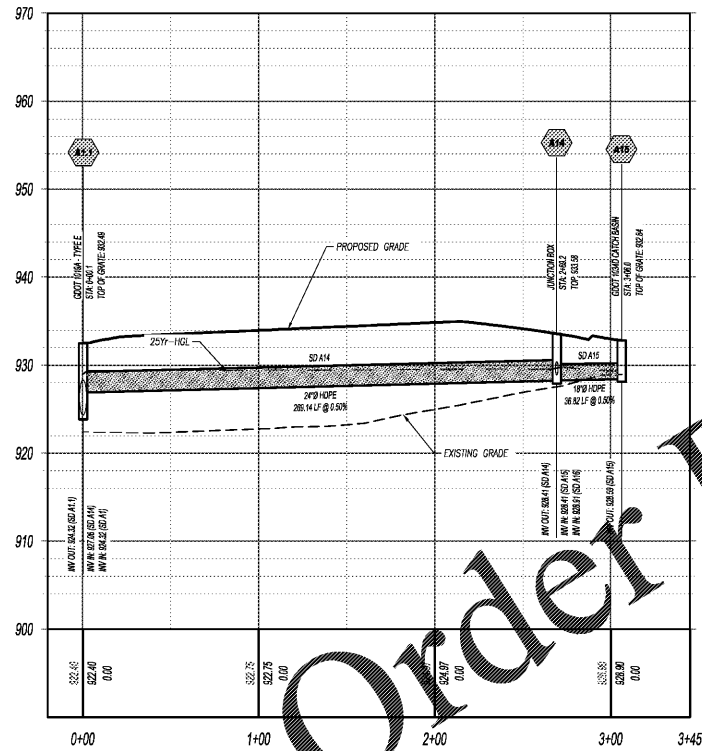
A0 - A7
Horz:1"=50'
Vert:1"=10'



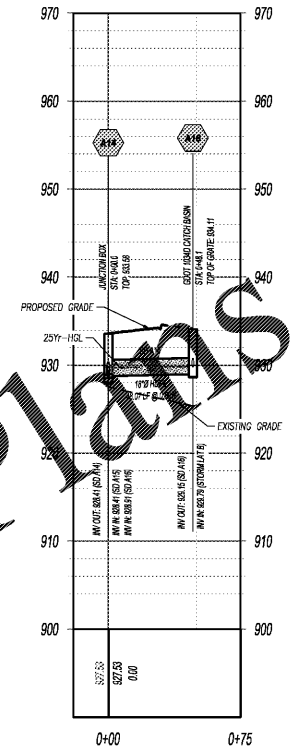
A1 TO A13
Horz:1"=50'
Vert:1"=10'



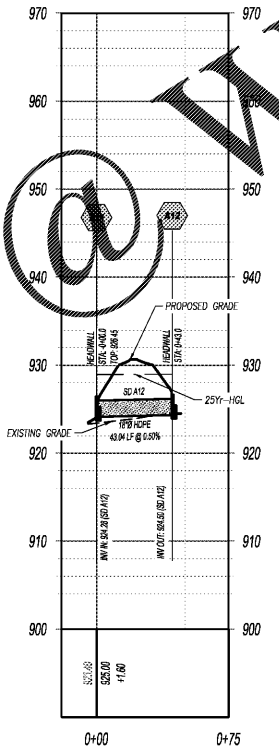
A9-A10
Horz:1"=50'
Vert:1"=10'



A1-A17
Horz:1"=50'
Vert:1"=10'



A16-A18
Horz:1"=50'
Vert:1"=10'



A11-A12
Horz:1"=50'
Vert:1"=10'

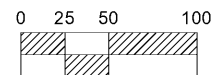
25-YEAR INLET PIPE CAPACITY

Line ID	Inlet Length (ft)	Inlet Area (sq ft)	Total Area (sq ft)	RCN	Inlet Cx A	Total Cx A	Inlet Tc (min)	Total Tc (min)	I (in/hr)	In Flow (cfs)	Lateral Flow (cfs)	Q (cfs)	Capacity (cfs)	V (ft/s)	Di. (in)	Slope (%)	Inv. Down (ft)	Inv. Up (ft)	HGL Down (ft)	HGL Up (ft)	Rim Down (ft)	Rim Up (ft)
SD OCS A	57.00	0.00	0.00	0.00	0	0	0.0	0.0	0.00	0.00	21.20	21.20	47.30	4.92	36	0.50	920.21	922.46	921.98	924.04	930.33	930.33
SD A1	223.038	0.25	3.87	0.89	0.22	2.59	5.0	7.2	8.25	19.72	0.00	35.32	101.34	2.81	48	0.50	924.32	925.43	929.34	929.43	932.49	933.78
SD A1.1	15.351	0.68	5.53	0.95	0.65	4.07	5.0	8.6	8.25	29.55	0.00	45.15	146.67	3.59	48	1.04	924.16	924.32	928.94	928.96	929.08	932.49
SD A2	181.183	0.10	2.74	0.70	0.07	1.54	5.0	6.5	8.25	12.00	0.00	27.60	51.21	3.90	36	0.50	925.43	926.34	929.61	929.87	933.78	934.60
SD A3	80.242	0.10	2.64	0.70	0.07	1.47	5.0	6.1	8.25	11.59	0.00	27.19	51.01	3.85	36	0.50	926.34	926.74	930.14	930.14	934.60	935.50
SD A4	82.450	0.61	1.39	0.80	0.49	0.75	5.0	5.7	8.25	6.02	0.00	17.75	51.32	2.51	36	0.50	926.74	927.15	930.49	930.56	935.50	934.70
SD A6	101.058	0.58	0.58	0.45	0.26	0.26	5.0	5.0	8.25	2.15	0.00	17.75	51.32	2.51	36	0.50	927.15	927.66	930.76	930.82	934.70	933.73
SD A7	29.903	0.00	0.00	0.00	0	0	0.0	0.0	0.00	0.00	15.60	15.60	16.02	5.81	24	0.50	929.39	929.54	930.98	931.13	933.73	933.11
SD A8	70.354	0.00	0.88	0.95	0	0.94	5.0	5.1	0.00	6.88	0.00	6.88	17.28	2.19	24	0.50	926.32	926.67	929.61	929.66	933.78	933.61
SD A9	45.253	0.37	1.35	0.90	0.33	0.65	5.0	5.4	8.25	5.25	0.00	5.25	13.71	7.55	15	4.51	929.92	931.96	930.49	932.89	935.50	936.73
SD A10	50.865	0.98	0.98	0.32	0.31	0.31	5.0	5.0	8.25	2.59	0.00	2.59	13.70	3.35	15	4.50	931.96	934.25	932.89	934.89	936.73	936.19
SD A12	43.038	1.50	1.50	0.30	0.45	0.45	7.0	7.0	7.67	3.45	0.00	3.45	8.13	1.95	18	0.51	924.28	924.50	928.94	928.98	926.45	926.67
SD A13	15.930	0.88	0.88	0.95	0.84	0.84	5.0	5.0	8.25	6.89	0.00	6.89	7.44	3.90	18	0.50	926.67	926.75	929.75	929.82	931.61	931.55
SD A14	269.140	0.00	0.98	0.00	0	0.82	0.0	5.4	0.00	6.69	0.00	6.69	17.33	2.85	24	0.50	927.06	928.41	929.34	929.56	932.49	933.58
SD A15	36.824	0.45	0.45	0.95	0.43	0.43	5.0	5.0	8.25	3.53	0.00	3.53	7.95	3.17	18	0.49	928.41	928.59	929.76	929.31	933.58	932.84
SD A16	48.074	0.53	0.53	0.75	0.4	0.4	5.0	5.0	8.25	3.28	0.00	3.28	8.04	3.66	18	0.50	928.91	929.15	929.76	929.84	933.58	934.11

25-YEAR INLET DATA

Inlet ID	Area (ac)	Inlet Time (min)	Int. (in/hr)	Runoff Coeff. (C)	Q=CIA (cfs)	Q Carry-over (cfs)	Q Captured (cfs)	Q Bypassed (cfs)	Joint Type	Curb Height (in)	Curb Length (ft)	Grate Area (sqft)	Grate Length (ft)	Grate Width (ft)	Gutter Slope (ft/ft)	Gutter Width (ft)	Cross Slope, Sw (ft/ft)	Cross Slope, Sk (ft/ft)	Local Depr. (in)	Inlet Depth (ft)	Gutter Depth (ft)	Gutter Spread (ft)
OCS A	0.00	0.0	0.00	0.00	21.20	MH
A1	0.25	5.0	8.25	0.89	1.84	0.00	1.60	0.24	Curb	5.0	12.00	0.015	1.50	0.083	0.015	0.0	0.22	0.22	7.93
A1.1	0.68	5.0	8.25	0.95	5.33	0.00	5.33	0.00	Grate	1.50	2.40	1.42	Sag	1.50	0.083	0.015	0.0	0.54	0.54	29.52
A2	0.10	5.0	8.25	0.70	0.58	0.00	0.58	0.00	Grate	1.50	2.40	1.42	Sag	1.50	0.083	0.010	0.0	0.17	0.17	5.98
A3	0.10	5.0	8.25	0.70	0.58	0.00	0.58	0.00	Dp-Curb	6.0	10.50	Sag	...	0.010	0.010	0.0	0.07	0.07	6.94
A4	0.61	5.0	8.25	0.80	4.02	0.00	4.02	0.00	Dp-Curb	6.0	10.50	Sag	...	0.010	0.010	0.0	0.25	0.25	25.35
A6	0.58	5.0	8.25	0.45	2.15	0.00	2.15	0.00	Dp-Curb	6.0	10.50	Sag	...	0.010	0.010	0.0	0.17	0.17	16.70
A7/E9	0.00	0.0	0.00	0.00	15.60	MH
A8	0.00	5.0	0.00	0.95	0.00	0.24	0.24	0.00	Curb	5.0	12.00	Sag	1.50	0.083	0.015	0.0	0.14	0.14	2.44
A9	0.37	5.0	8.25	0.90	2.75	0.00	1.79	0.96	Comb.	6.0	2.42	...	2.40	1.42	0.025	1.50	0.083	0.027	0.0	0.25	0.25	5.97
A10	0.98	5.0	8.25	0.32	2.59	0.00	2.59	0.00	Hdwall
A12	1.50	7.0	7.67	0.30	3.45	0.00	3.45	0.00	Hdwall
A13	0.88	5.0	8.25	0.95	6.89	0.96	7.86	0.00	Curb	5.0	24.00	Sag	1.50	0.083	0.015	0.0	0.36	0.36	16.91
A14	0.00	0.0	0.00	0.00	0.00	MH
A15	0.45	5.0	8.25	0.95	3.53	0.00	3.53	0.00	Curb	5.0	12.00	Sag	1.50	0.083	0.018	0.0	0.32	0.32	12.30
A16	0.53	5.0	8.25	0.75	3.28	0.00	3.28	0.00	Curb	5.0	12.00	Sag	1.50	0.083	0.010	0.0	0.32	0.32	21.09

CONTACT RACETRAC PETROLEUM, INC. PROJECT MANAGER PRIOR TO ANY REVISIONS TO THE PLAN SUPPLIED BY RACETRAC PETROLEUM, INC.



DATE: 02.24.2020
 7 REVISIONS PER DEVELOPER CHANGES
 6 REVISED PER DEVELOPER CHANGES
 5 REVISED PER DEVELOPER CHANGES
 4 REVISED PER GDOT & RACETRAC COMMENTS
 3 REVISED PER BARROW COUNTY & RACETRAC COMMENTS
 2 REVISED PER BARROW COUNTY & RACETRAC COMMENTS
 1 REVISED PER BARROW COUNTY, GASWCC & RACETRAC COMMENTS

DATE: 01.14.2019
 DATE: 12.03.2018
 DATE: 10.05.2018
 DATE: 08.01.2018
 DATE: 05.17.2018

NO. DATE

THESE PLANS ARE PRELIMINARY. ANY USE OF SAME WITHOUT THE EXPRESSED WRITTEN PERMISSION OF RACETRAC PETROLEUM, INC. IS PROHIBITED.

Racetrac
 RACETRAC PETROLEUM, INC.
 839 Loganville Highway
 Bethlehem, Georgia
 Barrow County
 (770) 431-7600

DRAWN-BY: AGRUNER
 DATE: 02.28.2018
 SCALE: 1" = 50'
 DRAWING NAME: Consol-17293.dwg
 SHEET NO. C7.1
 VERSION