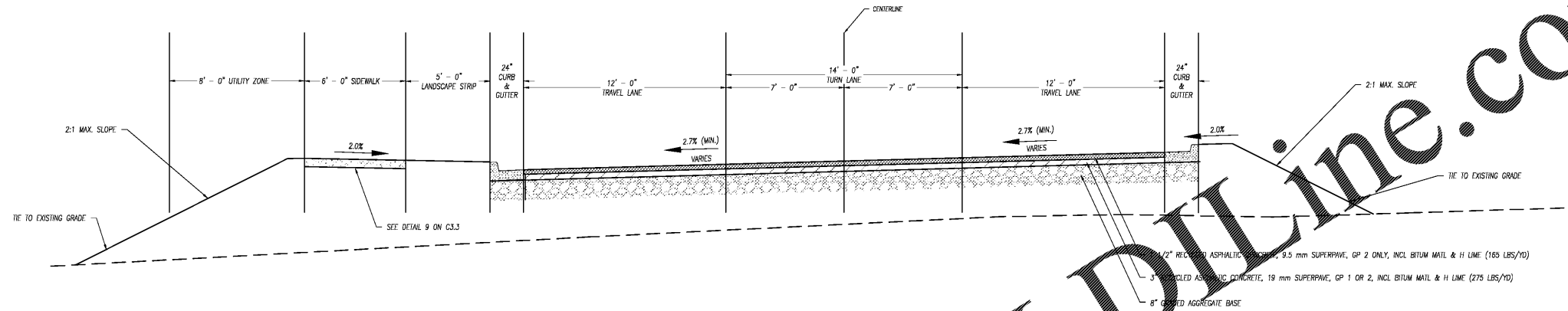




Know what's below.
Call before you dig.

MATCH EXISTING CROSS SECTION OF EXCHANGE BOULEVARD PER GDOT PLANS
"INTERCHANGE CONSTRUCTION SR 316/US 29 AT SR 81 - BARROW COUNTY"
(FEDERAL AND PROJECT CSNHS-0008-00(429)) (SEE SHEET 23-0094)

TYPICAL SECTION
EXCHANGE BOULEVARD



Order Plans @ www.LDILine.com

CONTACT RACETRAC PETROLEUM, INC. PROJECT MANAGER PRIOR TO ANY REVISIONS TO THE PLAN SUPPLIED BY RACETRAC PETROLEUM, INC.



TYPICAL SECTIONS		RACETRAC 316@81	
839 Loganville Highway		Bethlehem, Georgia	
Barrow County			
DRAWN-BY	AGRUNER	DATE	02.28.2018
SCALE		DRAWING NAME:	Const-17293.dwg
C3.1		SHEET NO.	VERSION
 W&A Engineering <small>CIVIL ENGINEERING - LANDSCAPE ARCHITECTURE SURVEYING - SOIL AND ENVIRONMENTAL LABORATORY TRAFFIC ENGINEERING - ECONOMIC DEVELOPMENT</small>		2 REVISED PER DEVELOPER CHANGES 1 REVISED PER BARROW COUNTY & RACETRAC COMMENTS NO.	
		10.07.2018	DATE
		10.05.2018	DATE