

| Outlet Protection (Outlet A) | Outlet Protection (A-0) | Outlet Protection (On-Site) |
|---|--|---|
| <p>SI 9</p> <p>PIPE INV.: 920.17 PIPE DIA.: 36" Q25 @ Q25: 6.82 FPS VEL @ Q25: 22.82 CFS TW @ Q25: 920.07 *FROM HYDRAFLOW POND OUTFALL AT 25-YEAR STORM</p> | <p>SI 7 & 8</p> <p>PIPE INV.: 924.38 PIPE DIA.: 48" Q25 @ Q25: 6.82 FPS VEL @ Q25: 22.82 CFS TW @ Q25: 924.07 *Q=C/A, WHERE C=0.95, I=6.04 in/hr, & A=0.32 ACRES</p> | <p>SI 1</p> <p>FLUME INV.: 924.19 FLUME WIDTH: 24" Q100: 1.50 CFS VEL @ Q100: 7.92 FPS TW @ Q100: 924.07 *Q=C/A, WHERE C=0.95, I=6.04 in/hr, & A=0.32 ACRES</p> |
| <p>LA: 20.0' WA: 9.0' WA: 23.0' DSD ST. DI.: 0.6' DMAX: 0.9' APRON THICKNESS: 1.38'</p> | <p>LA: ENTIRE FOREBAY (18.0' MIN.) WA: ENTIRE FOREBAY (12.0' MIN.) DSD ST. DI.: 0.2' DMAX: 0.9' APRON THICKNESS: 0.5'</p> | <p>LA: 5.0' WA: 9.0' WA: 11.0' DSD ST. DI.: 0.6' DMAX: 0.9' APRON THICKNESS: 0.5'</p> |

SEDIMENT STORAGE CALCULATIONS BASED ON TOTAL DRAINED AREA TO POND = 13.04 ACRES

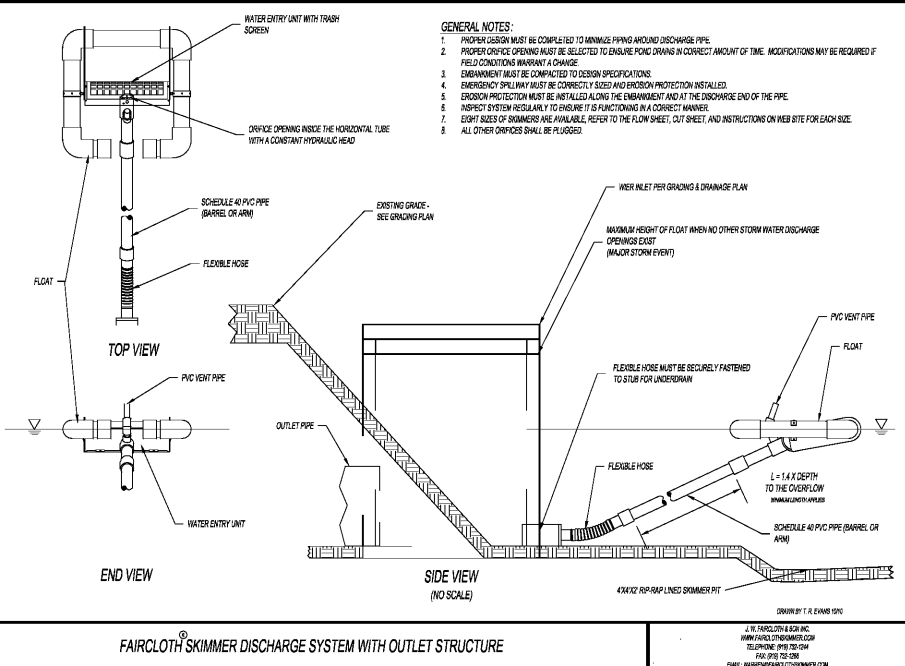
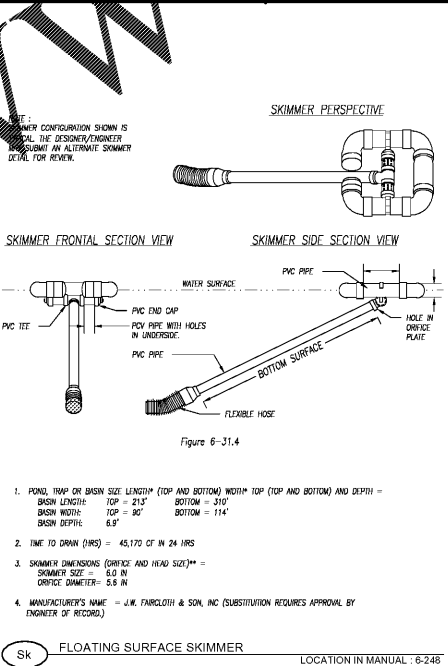
STORAGE CALCULATIONS

- REQUIRED STORMWATER STORAGE = 0 CY PLEASE SEE HYDRO (OVERLAPS CHANNEL PROTECTION VOLUME)
- REQUIRED SEDIMENT STORAGE = 1742 CY (13.04 AC * 134 YD/AC) (PER APPENDIX 1)
- TOTAL REQUIRED STORAGE = 1742 CY
- AVAILABLE STORAGE = 2198 CY
- IS THE AVAILABLE STORAGE GREATER THAN THE TOTAL REQUIRED STORAGE?
X YES ___ NO
- IF "NO", THE SEDIMENT STORAGE CAPACITY OF THE POND MUST BE INCREASED. CHOOSE THE METHOD TO BE USED:
___ RAISE THE INVERT OF THE OUTLET STRUCTURE
___ UNDERCUT THE POND
*REQUIRED SEDIMENT STORAGE WILL BE COVERED THROUGH THE USE OF OTHER ON-SITE BMPs
- CLEAN OUT ELEVATION = 925.40 FT. (ELEVATION CORRESPONDING TO 22 CIRC * AVAILABLE AREA)
- IS THE LENGTH OF THE RISE RATIO 2:1 OR GREATER?
X YES ___ NO
- IF THE RISE RATIO IS GREATER THAN 2:1, FLOW MUST BE INCREASED. CHOOSE THE METHOD TO BE USED:
___ BATTLES (TOP OF BATTLE) N/A
___ OTHER

| ELEVATION (FT) | AREA (SF) | VOLUME (CF) | STORAGE (CF) |
|----------------|-----------|-------------|--------------|
| 921.00 | 970 | 0 | 0 |
| 922.00 | 1,369 | 1,184 | 1,184 |
| 923.00 | 2,864 | 1,592 | 2,756 |
| 924.00 | 4,459 | 3,477 | 6,232 |
| 925.00 | 7,265 | 1,789 | 8,021 |
| 926.00 | 21,184 | 17,553 | 25,574 |
| 927.00 | 26,810 | 22,653 | 48,227 |
| 927.40* | 27,676 | 11,154 | 59,381 |

*SEDIMENT STORAGE IS CALCULATED BY VOLUME BELOW THE RISE RATIO, INCLUDING THE FOREBAY AND MICROPOOL VOLUMES. PHASE 1 VOLUME EXCEEDS FINAL DESIGN VOLUME.

***MICROPOOL VOLUME
****MICROPOOL & FOREBAY VOLUME
*****MICROPOOL, FOREBAY & POND VOLUME



CONTACT RACETRAC PETROLEUM, INC. PROJECT MANAGER PRIOR TO ANY REVISIONS TO THE PLAN SUPPLIED BY RACETRAC PETROLEUM, INC.

STORM DRAIN OUTLET PROTECTION LOCATION IN MANUAL: 6-27

SEDIMENT STORAGE CALCULATIONS LOCATION IN MANUAL: 6-181

FLOATING SURFACE SKIMMER LOCATION IN MANUAL: 6-248

FAIRCLOTH SKIMMER DISCHARGE SYSTEM WITH OUTLET STRUCTURE LOCATION IN MANUAL: 6-154

| | |
|------------|------|
| 12.12.2019 | DATE |
| 10.07.2019 | |
| 01.14.2019 | |
| 12.03.2018 | |
| 10.05.2018 | |
| 08.01.2018 | |
| 05.17.2018 | |

REVISIONS PER GSWCC COMMENTS

7 REVISED PER DEVELOPER CHANGES

6 REVISED PER DEVELOPER CHANGES

5 REVISED PER GDOT & RACETRAC COMMENTS

4 REVISED PER GDOT & RACETRAC COMMENTS

3 REVISED PER BARROW COUNTY & RACETRAC COMMENTS

2 REVISED PER BARROW COUNTY & RACETRAC COMMENTS

1 REVISED PER BARROW COUNTY, GASWCC & RACETRAC COMMENTS

NO.

W&A Engineering

CIVIL ENGINEERING - LANDSCAPE ARCHITECTURE
SURVEYING - SOIL AND FOUNDATION ENGINEERING
TRAFFIC ENGINEERING - TECHNICAL DRAFTING

THESE PLANS ARE LEGAL DOCUMENTS. ANY USE OF SAME WITHOUT THE EXPRESSED WRITTEN PERMISSION OF RACETRAC PETROLEUM, INC. IS PROHIBITED.

Racetrac

RACETRAC PETROLEUM, INC.
200 GALLERIA PARKWAY SE
SUITE 900 ATLANTA, GA 30339
(770) 431-7600

ES&PC DETAILS

RACETRAC 316@81

839 Loganville Highway
Bethlehem, Georgia
Barrow County

DRAWN BY: AGRUNER
DATE: 02.28.2018
SCALE:
DRAWING NAME:
Consol-17293.dwg

C2.7

SHEET NO. VERSION

GEORGIA REGISTERED PROFESSIONAL ENGINEER
NO. 11557
JON M. WILLIAMS

GSWCC LEVEL II CERTIFICATION # 3588

FOR BID