



**COOPER CARRY**  
THE CENTER FOR CONNECTIVE ARCHITECTURE

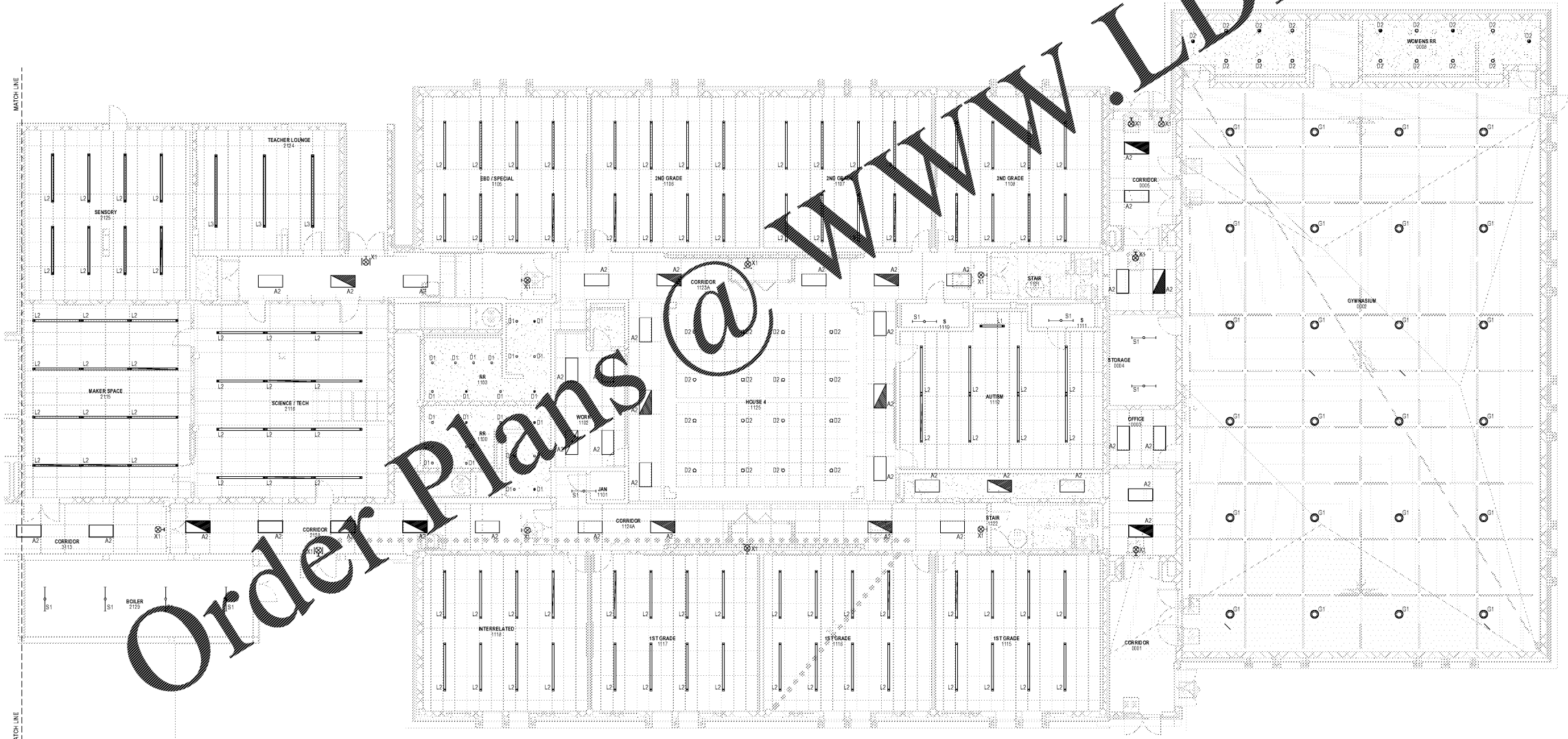
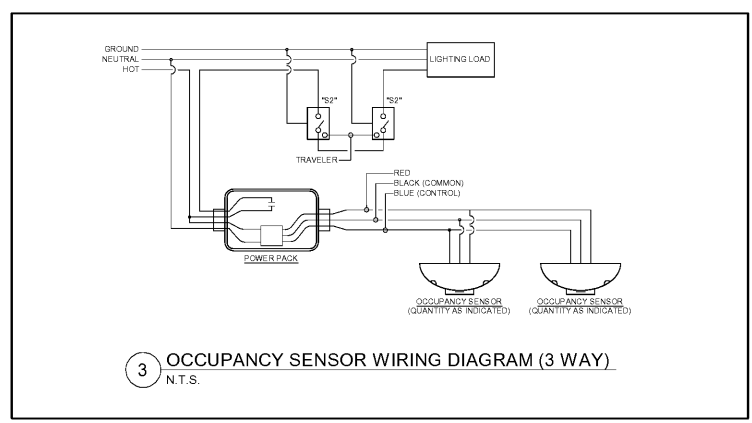
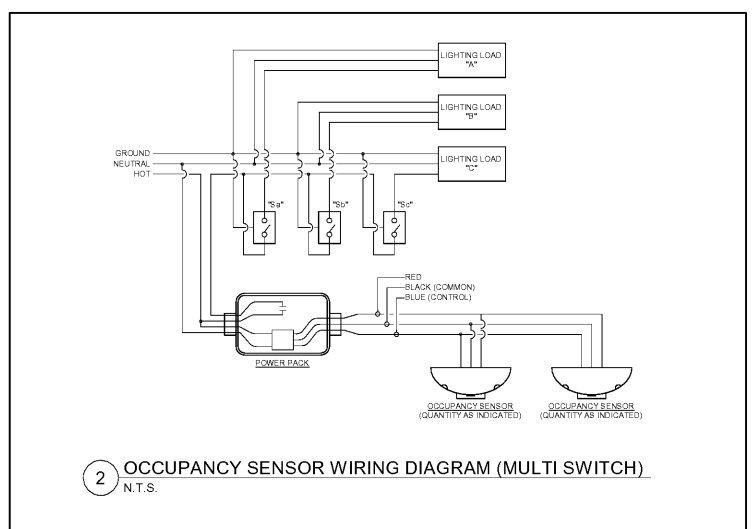
191 Peachtree Street NE  
Suite 2400  
Atlanta, GA 30303-1770  
(404) 237-2000  
coopercarry.com

©2018 COOPER CARRY

**SCOPE DOCUMENTS**

The Contract Documents issued for [Conceptual Design, Schematic Design, Design Development, Partial Construction Documents or Other Issuance up to Issued for Construction] are intended to be at that level of development and as such, may be neither complete nor coordinated. The [Construction Manager, Contractor, Design/Builder] is responsible for complete and coordinated pricing [and execution] of the Work, and shall include items necessary for the proper execution and completion of the Work, as shown, specified, reasonably inferred or required for a complete Project. For Work of designed design, systems, assemblies, components and materials shall comply with national, state and local code requirements. The [Construction Manager, Contractor, Design/Builder] shall inform the Owner and Architect, in timely fashion, of any discovered omissions, inaccuracies or errors in the Contract Documents.

ISSUANCES		
No.	Drawing Issue Description	Date
1	DESIGN DEVELOPMENT	3/18/20



**1 ELECTRICAL PARTIAL LIGHTING PLAN - LEVEL 1 - AREA B**  
1/8" = 1'-0"

PROJECT NUMBER: 20180108 PROJECT NAME: BARACK & MICHELLE OBAMA ACADEMY  
SHEET NUMBER: E3.12 - ELECTRICAL PARTIAL LIGHTING PLAN LOWER LEVEL AREA B  
C:\Egnyte\Shared\Drawings\9000's\9040 - BMO School\Electrical\9040 - BMO Academy - Electrical (R19).rvt  
3/16/2020 4:21:06 PM

Order Plans @ [WWW.LDILine.com](http://WWW.LDILine.com)

FTE - 450  
EXISTING IU - 38  
PROPOSED IU - 33

**BARACK & MICHELLE OBAMA ACADEMY**



970 Martin St SE, Atlanta, GA 30315

**ATLANTA PUBLIC SCHOOL**

**ELECTRICAL PARTIAL LIGHTING PLAN  
LOWER LEVEL AREA B**

ROBERT JUST	20190109
Principal/Design	Project No.
S. TARKHAN	03/02/20
Project Manager	Date
B. FERREN	
Project Architect	
E. SAADAT	
Staff Architect	
B. FERREN, J. KLEIN	
Interior Design	

**E3.12**

NOT ISSUED FOR CONSTRUCTION