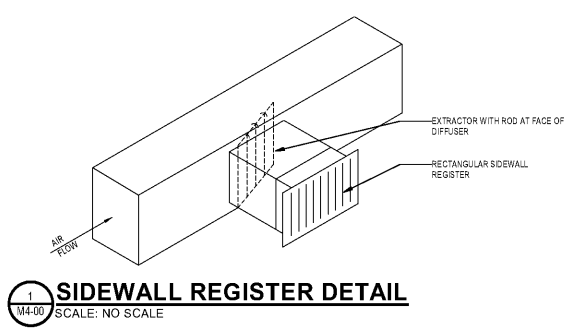




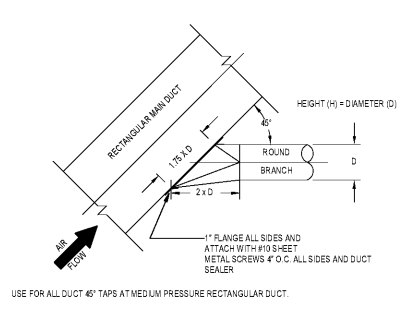
SCOPE DOCUMENTS

The Contract Documents Issued for [Conceptual Design, Schematic Design, Design Development, Partial Construction Documents or Other Issuance up to Issued for Construction] are intended to be at that level of development and as such, may be neither complete nor coordinated. The [Construction Manager, Contractor, Design/Builder] is responsible for complete and coordinated pricing (and execution) of the Work, and shall include items necessary for the proper execution and completion of the Work, as shown, specified, reasonably inferred or required for a complete Project. For Work of designed designs, systems, assemblies, components and materials shall comply with national, state and local code requirements. The [Construction Manager, Contractor, Design/Builder] shall inform the Owner and Architect, in timely fashion, of any discovered omissions, inconsistencies or errors in the Contract Documents.

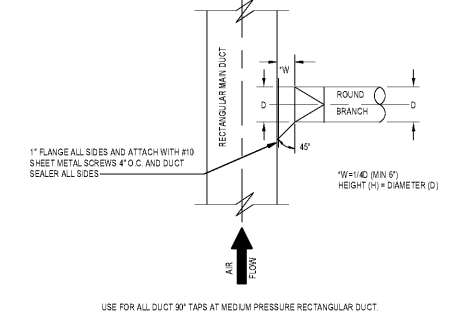
ISSUANCES		
No.	Drawing Issue Description	Date



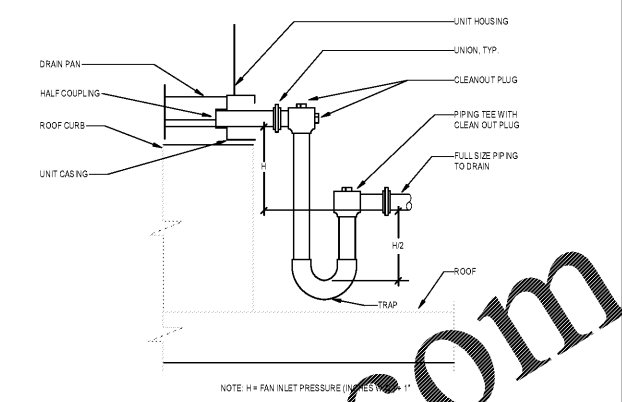
1 SIDEWALL REGISTER DETAIL
SCALE: NO SCALE



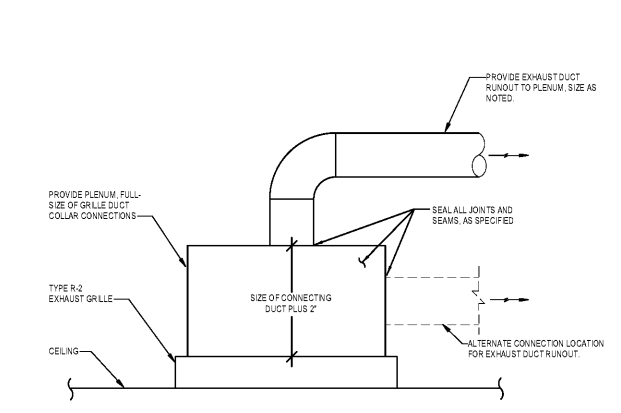
2 45° ROUND/RECTANGULAR DUCT TAP (PLAN VIEW)
SCALE: NO SCALE



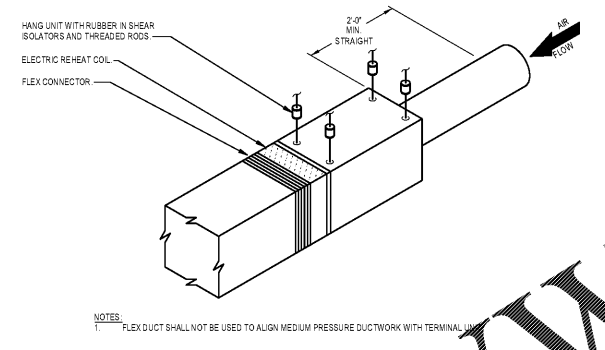
3 90° ROUND/RECTANGULAR DUCT TAP (PLAN VIEW)
SCALE: NO SCALE



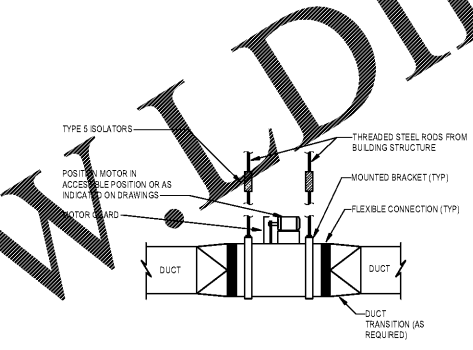
4 DRAW THROUGH CONDENSATE TRAP DETAIL
SCALE: NO SCALE



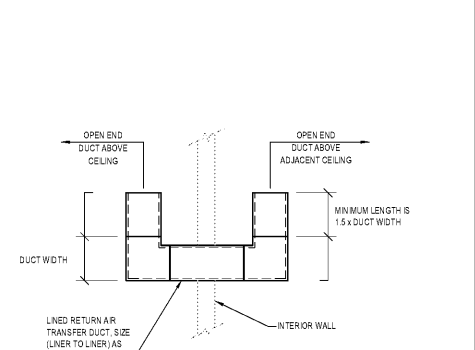
5 EXHAUST GRILLE DETAIL
SCALE: NO SCALE



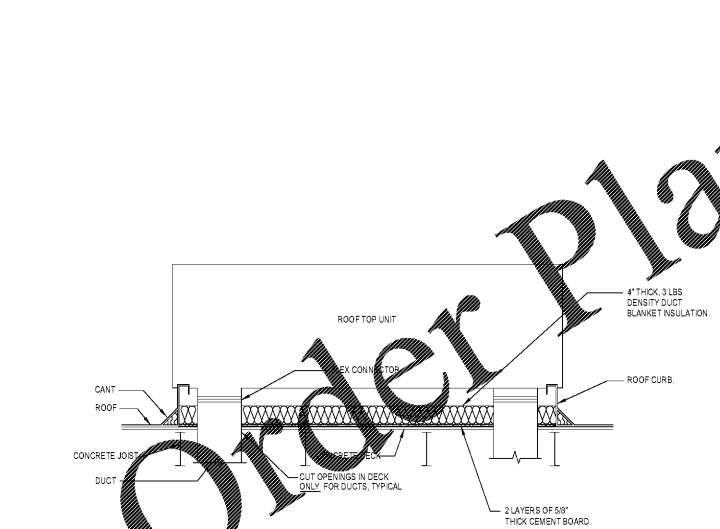
6 VARIABLE VOLUME TERMINAL UNIT WITH ELECTRIC RE-HEAT
SCALE: NO SCALE



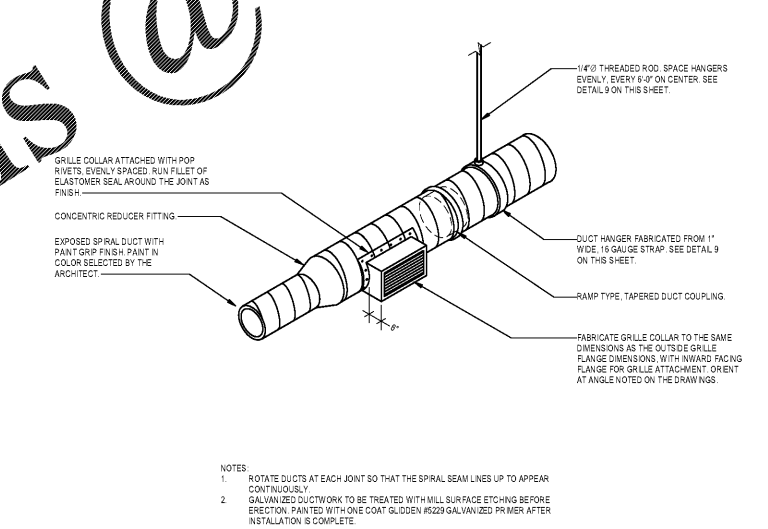
7 IN-LINE FAN DETAIL
SCALE: NO SCALE



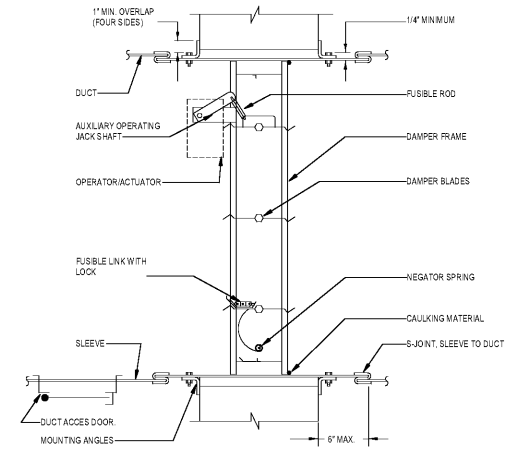
8 TRANSFER AIR 'U' DUCT DETAIL
SCALE: NO SCALE



9 ROOF TOP UNIT CURB INSTALLATION
SCALE: NO SCALE



10 EXPOSED DUCT DETAIL
SCALE: NO SCALE



11 FIRE SMOKE DAMPER DETAIL
SCALE: NO SCALE



Johnson, Spellman & Associates, Inc.
350 Research Court, Suite 130
Peachtree Corners, GA 30092
770-447-3555 www.jsa-inc.com

FTE - 450
EXISTING IU - 38
PROPOSED IU - 33

BARACK & MICHELLE OBAMA ACADEMY



970 Martin St SE, Atlanta, GA 30315

ATLANTA PUBLIC SCHOOLS

HVAC DETAILS

THW	CC #201715 - JSA # 19JSA3
SPB	03/16/20
SPB	Date

M4-00

PROJECT NUMBER: CC # 201715 - JSA # 19JSA3 PROJECT NAME: BARACK & MICHELLE OBAMA ACADEMY
SHEET NUMBER: M4-00 - HVAC DETAILS
C:\Users\mark\Documents\19JSA3 BarMO Academy_gpark@jssce.com.rvt
3/16/2020 5:15:20 PM