



**SCOPE DOCUMENTS**  
The Contract Documents Issued for [Conceptual Design, Schematic Design, Design Development, Partial Construction Documents or Other Issuance up to Issued for Construction] are intended to be at that level of development and as such, may be neither complete nor coordinated. The [Construction Manager, Contractor, Design/Builder] is responsible for complete and coordinated pricing [and execution] of the Work, and shall include items necessary for the proper execution and completion of the Work, as shown, specified, reasonably inferred or required for a complete Project. For Work of obligated designer, systems, assemblies, components and materials shall comply with national, state and local code requirements. The [Construction Manager, Contractor, Design/Builder] shall inform the Owner and Architect, in timely fashion, of any discovered omissions, inconsistencies or errors in the Contract Documents.

ISSUANCES		
No.	Drawing Issue Description	Date
1	DESIGN DEVELOPMENT	3/18/20

GADOE CODE: 5066  
FTE - 450  
EXISTING IU - 38  
PROPOSED IU - 33

**BARACK & MICHELLE OBAMA ACADEMY**



970 Martin St SE, Atlanta, GA 30315  
ATLANTA PUBLIC SCHOOLS

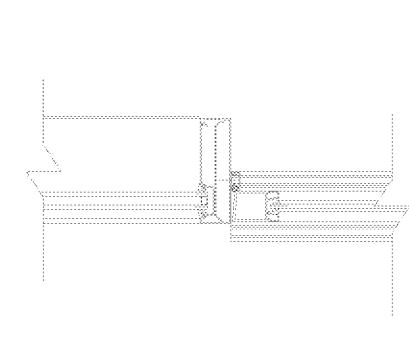
**PLAN DETAILS**

ROBERT A. JUST	20190109
Principal/Designer	Project No.
S. TARRIGAN	03/18/20
Project Manager	Date
B. FERREN	
Project Architect	
M. PARKS	
Staff Architect	
B. FERREN / G. HAHN	
Interior Design	

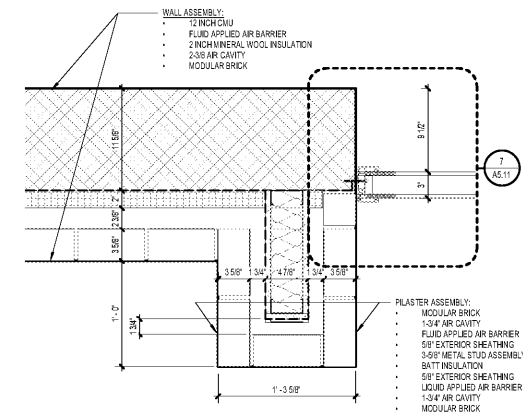
**A5.11**

Order Plans @ [www.LDILine.com](http://www.LDILine.com)

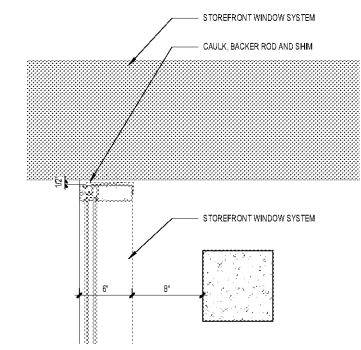
**1 STOREFRONT DOOR JAMB W TRANSOM**  
SCALE: 3" = 1'-0"



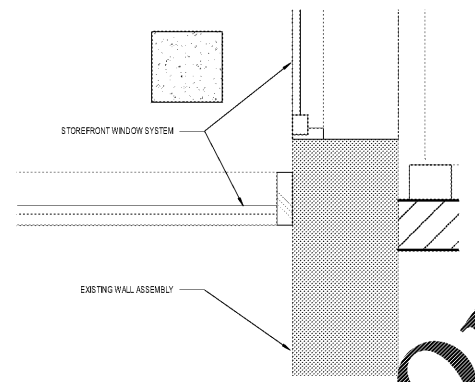
**2 PLAN DTL- TYPICAL PILASTER**  
SCALE: 1 1/2" = 1'-0"



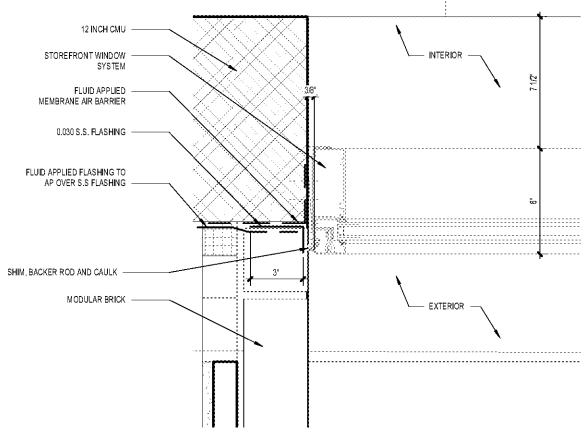
**3 PLAN DTL- STOREFRONT @ EXISTING**  
SCALE: 1 1/2" = 1'-0"



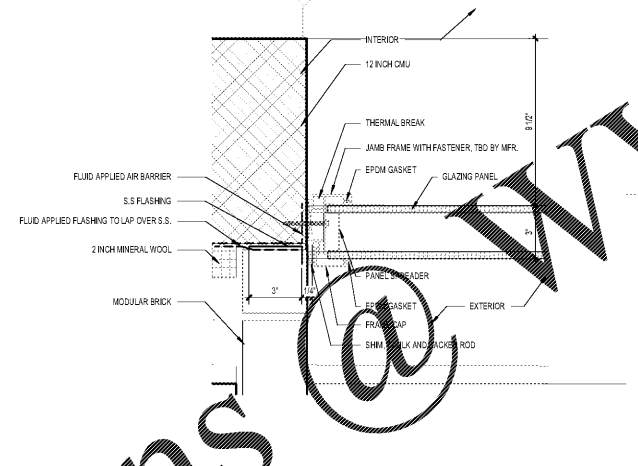
**4 PLAN DTL- STOREFRONT @ EXISTING**  
SCALE: 1 1/2" = 1'-0"



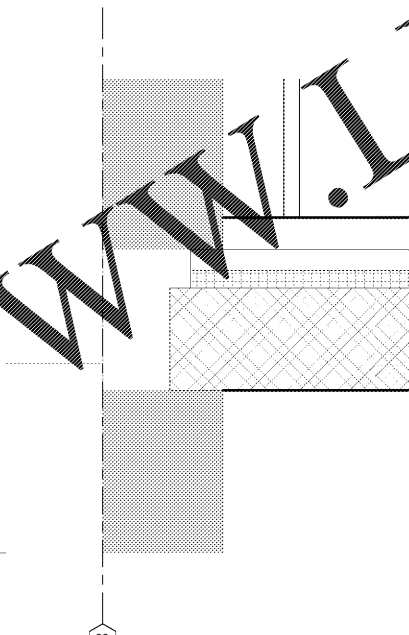
**8 PLAN DTL- STOREFRONT JAMB**  
SCALE: 3" = 1'-0"



**7 PLAN DTL- POLYCARBONATE JAMB**  
SCALE: 3" = 1'-0"



**6 PLAN DTL- EXPANSION JOINT @ GYM**  
SCALE: 1 1/2" = 1'-0"



**5 PLAN DTL- STOREFRONT @ GYM EXPANSION**  
SCALE: 1 1/2" = 1'-0"

