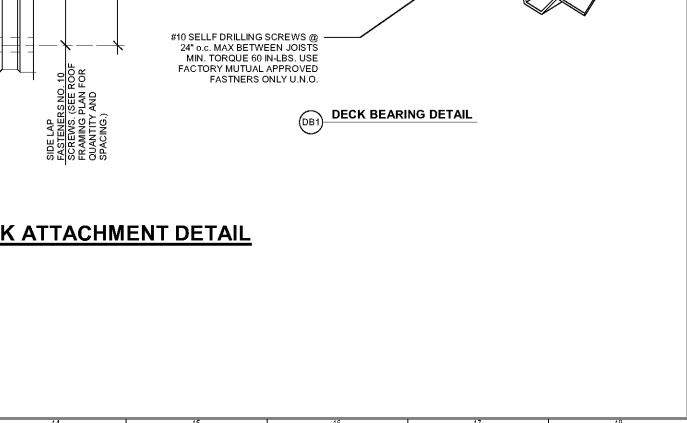
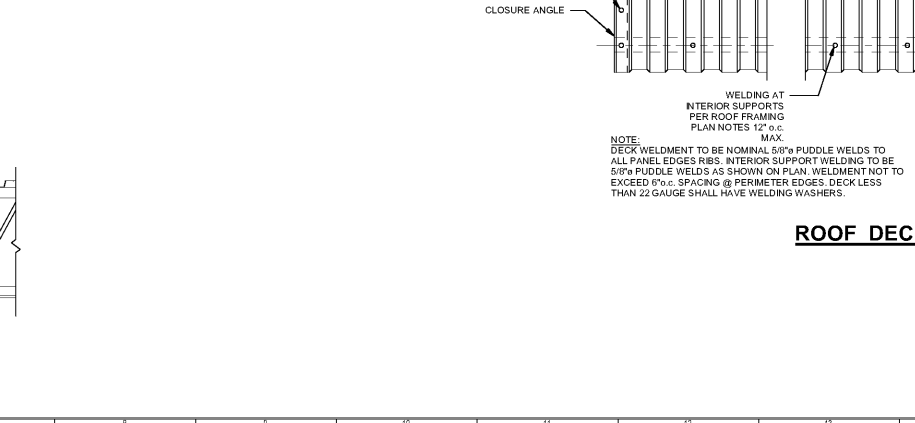
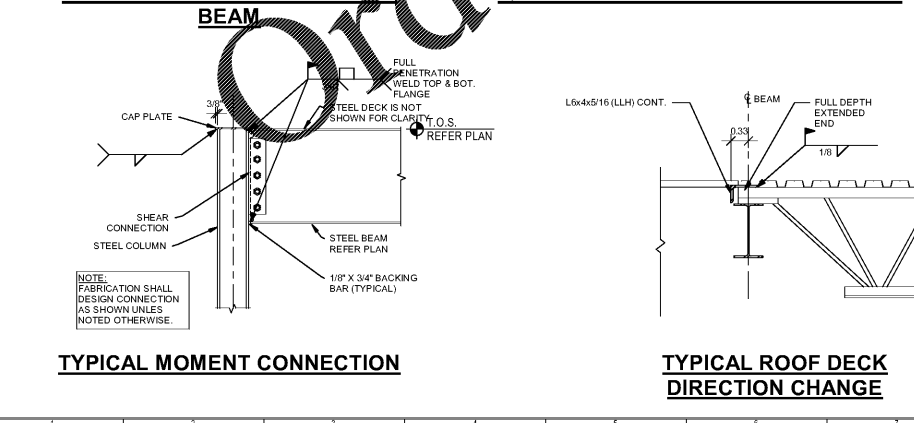
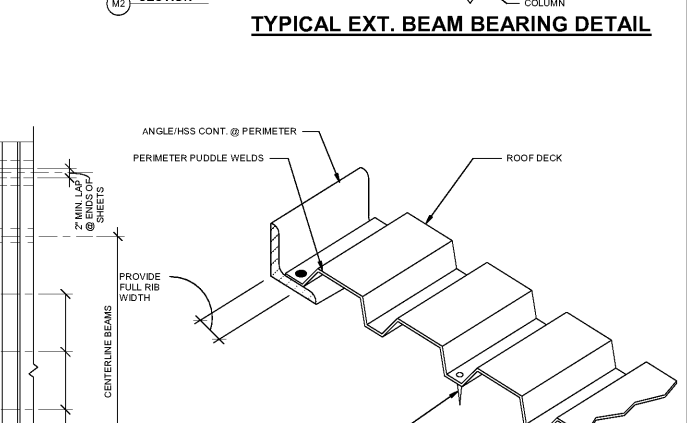
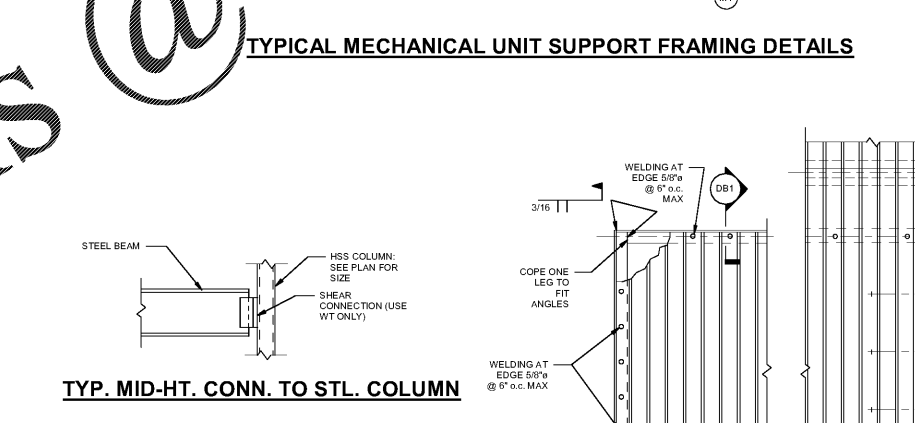
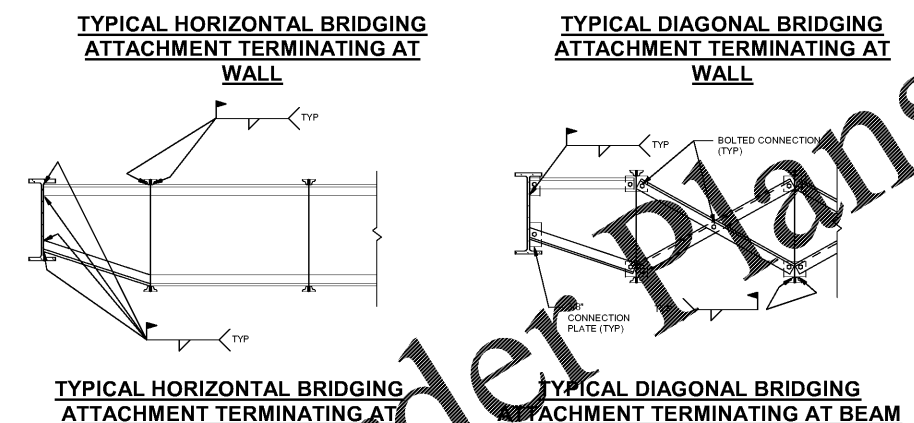
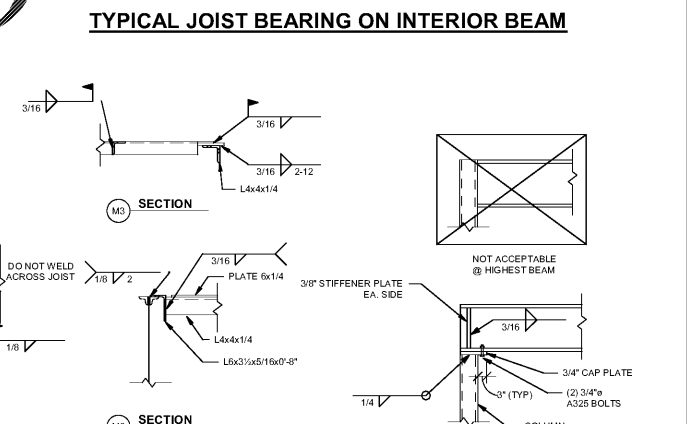
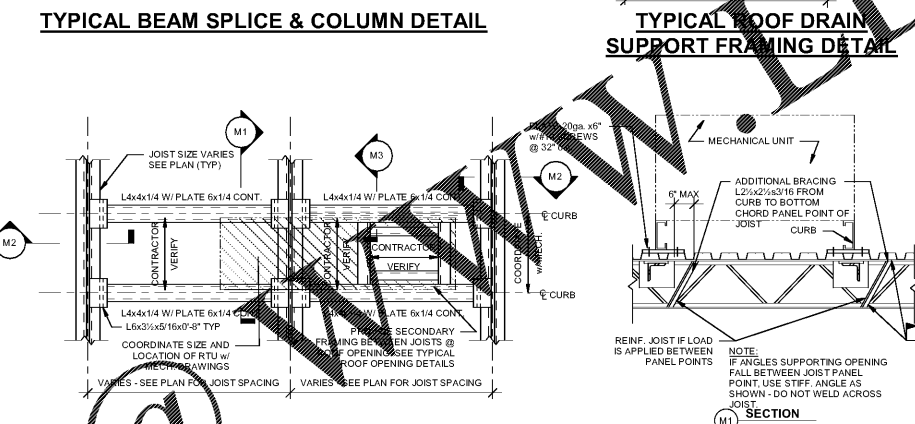
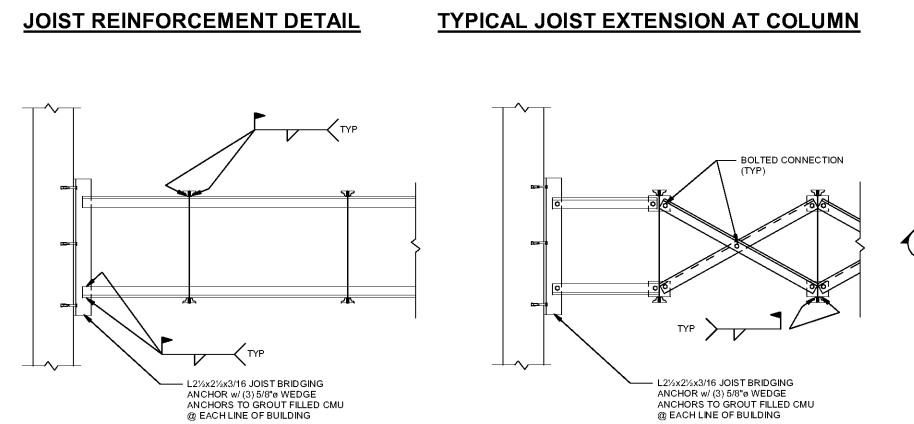
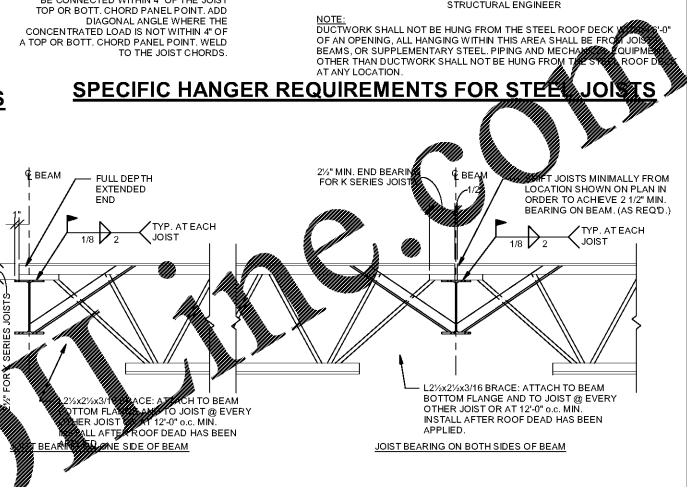
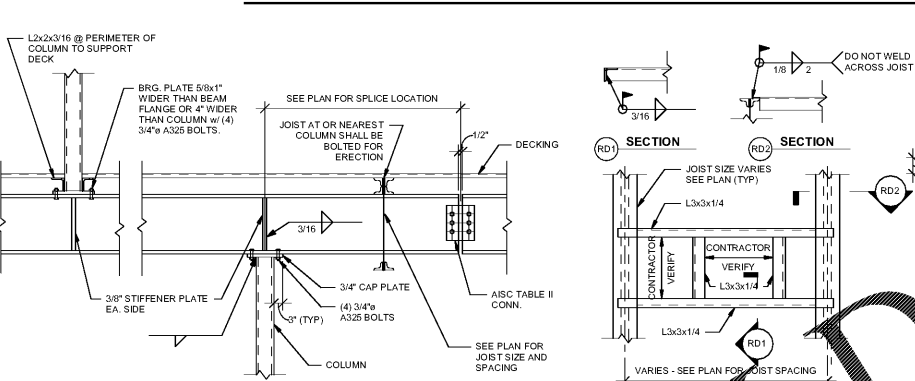
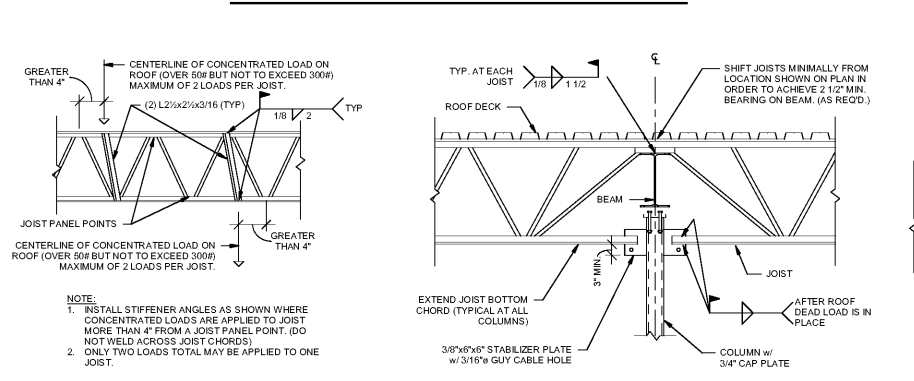


ROOF OPENING FRAME SCHEDULE FOR ANGLE FRAMING

DIM. "A"	SIZE "A"	DIM. "B"	SIZE "B"
2'-0"	3x3x3/16	4'-0"	3x3x3/16
3'-0"	3x3x3/16	5'-0"	3x3x1/4
4'-0"	3x3x3/16	6'-0"	3/4x3x1/4
5'-0"	3x3x3/16	7'-0"	4x4x5/16

NOTE:
 IF ANGLES SUPPORTING OPENING FALL BETWEEN JOIST PANEL POINTS, USE STIFF. ANGLE AS SHOWN - DO NOT WELD ACROSS JOIST.



SCOPE DOCUMENTS

The Construction Documents have not been completed therefore this drawing may be incomplete or not coordinated. The documents issued indicate the general scope of the Project. The Contractor is responsible for complete and coordinated printing and Work and shall include all items necessary for the proper execution and completion of the Project, whether indicated or not. All components of the Project shall comply with any and all requirements of national, state, and local codes. The Contractor shall inform the Owner and Architect of any omissions, inaccuracies or errors in the information provided. If no notice is given and any omissions, inaccuracies or errors are discovered, the Architect's decision on items of work included in the scope shall be binding on the Contractor, when consistent with the general scope and quality of the Project.

ISSUANCES

No.	Drawing Issue Description	Date

BARACK & MICHELLE OBAMA ACADEMY

970 Martin St SE, Atlanta, GA 30315
 ATLANTA PUBLIC SCHOOLS

TYPICAL DETAILS

Designer	12/19
Design/Check	Project No.
Approver	03/16/20
Issue Manager	
Checker	
Project Engineer	
Author	
Staff Engineer	

S4.2

PROJECT NUMBER: 170 PROJECT NAME: TERRACE TESTING
 SHEET NUMBER: S4.2, TYPICAL DETAILS
 C:\Users\cbryant\Documents\Banko - Struct - 2019_cbyant\WKR62.rvt
 3/16/2020 7:05:03 PM