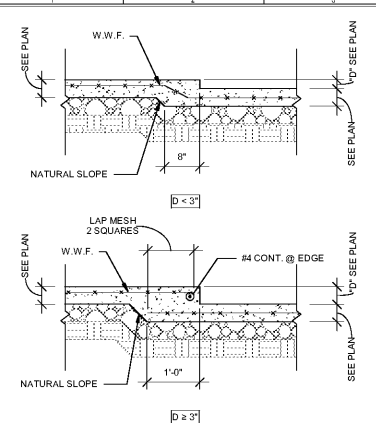
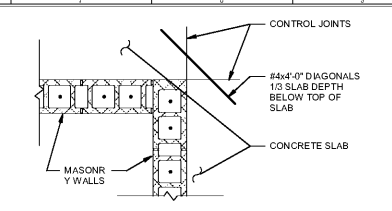


SCOPE DOCUMENTS
 The Construction Documents have not been completed therefore this drawing may be incomplete or not coordinated. The documents issued indicate the general scope of the Project. The Contractor is responsible for complete and coordinated pricing and Work and shall include all items necessary for the proper execution and completion of the Project, whether indicated or not. All components of the Project shall comply with any and all requirements of national, state, and local codes. The Contractor shall inform the Owner and Architect of any omissions, inaccuracies or errors in the information provided. If no notice is given and any omissions, inaccuracies or errors are discovered, the Architect's decision on items of Work included in the scope shall be binding on the Contractor, when consistent with the general scope and quality of the Project.

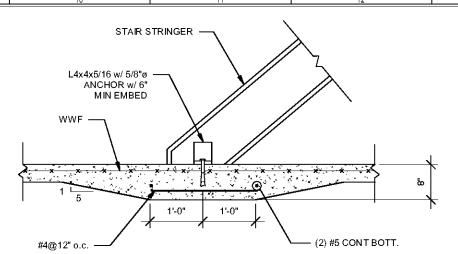
ISSUANCES		
No.	Drawing Issue Description	Date



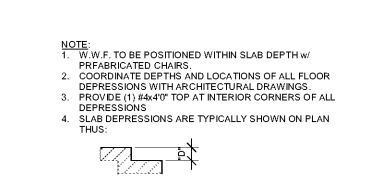
EXTERIOR OPENING DETAIL
SLABS ON GRADE



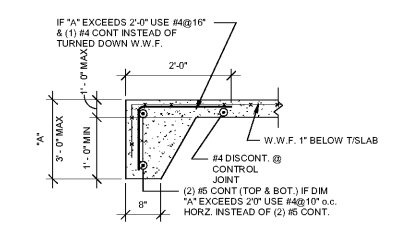
TYPICAL CONTROL JOINT @ CMU
SLABS ON GRADE



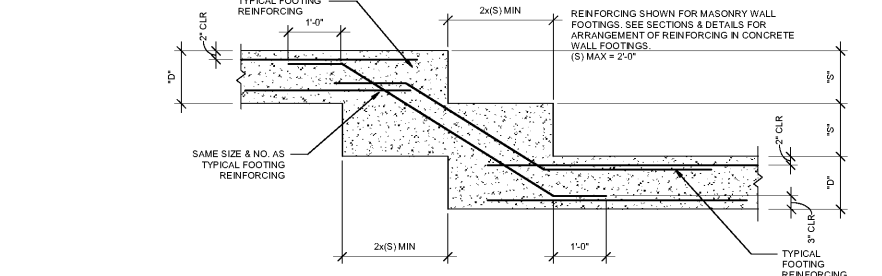
STAIR STRINGER CONN. @ STAIR BASE



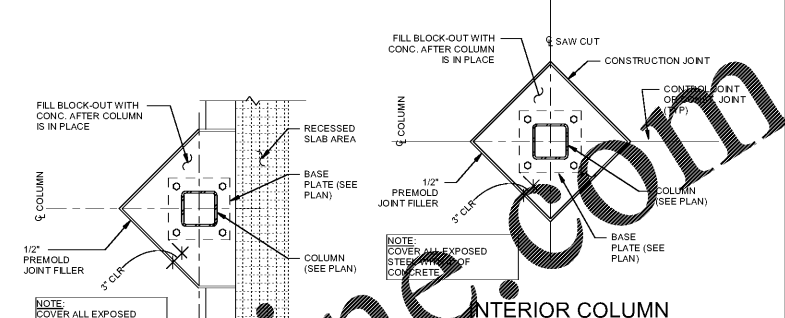
TYPICAL DEPRESSED SLAB ON GRADE



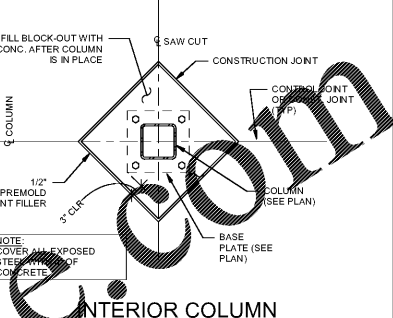
TYPICAL TURNED DOWN SLAB



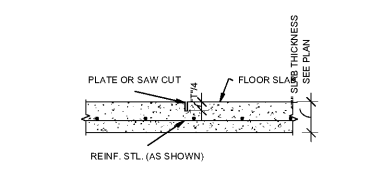
TYPICAL STEPPED FOOTING DETAIL



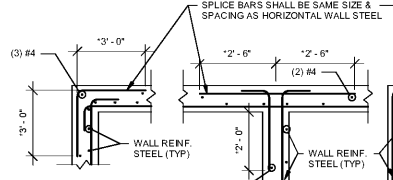
TYPICAL POURED JOINT AT INTERIOR RECESSED AREAS



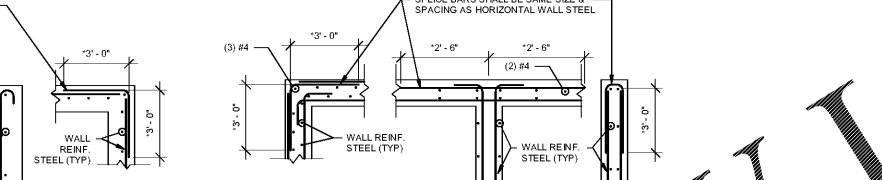
TYPICAL POURED JOINT AT INTERIOR & EXTERIOR COLUMNS



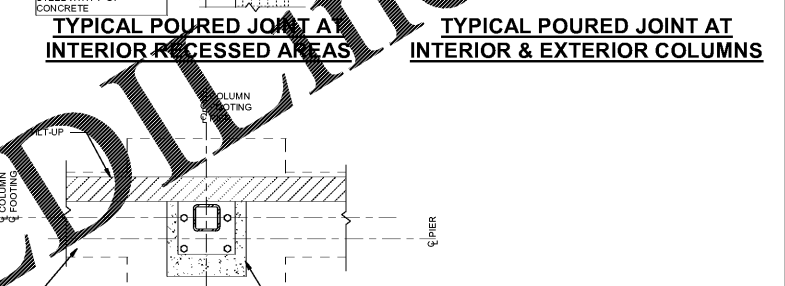
TYPICAL CONTROL JOINT



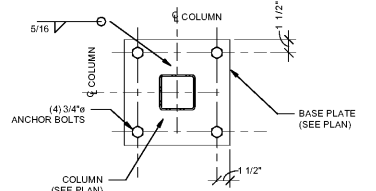
STL. ARRANGEMENT AT WALLS AND FOOTINGS
BARS IN ONE FACE



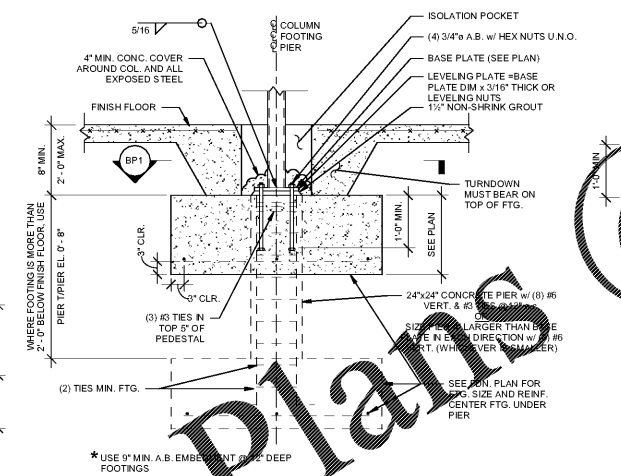
STL. ARRANGEMENT AT WALLS AND FOOTINGS
BARS IN TWO FACES



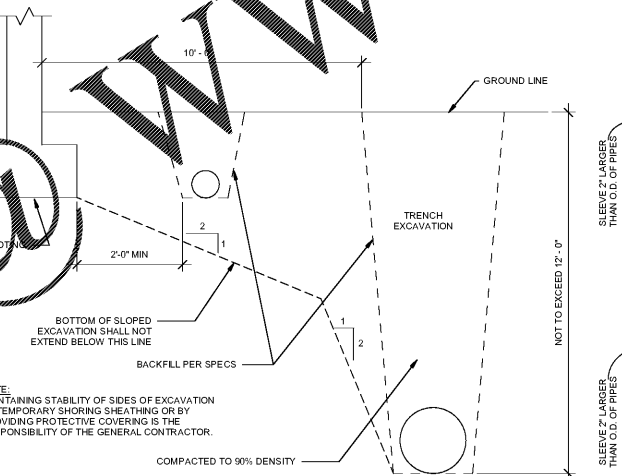
EXTERIOR WALL PIER DETAIL



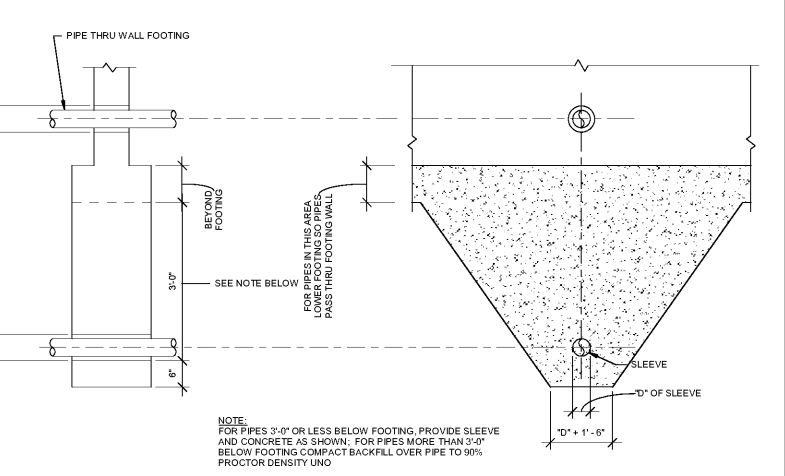
BASE PLATE PLAN DETAIL



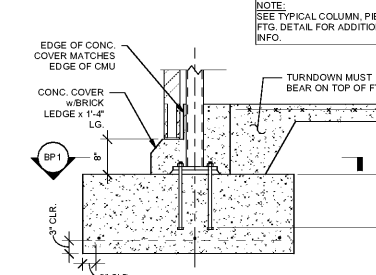
TYPICAL INTERIOR COLUMN PIER AND FOOTING DETAIL



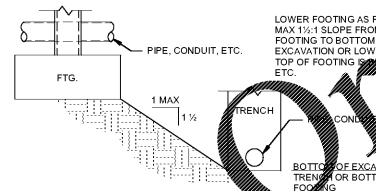
EXCAVATIONS PARALLEL TO WALL FOOTING



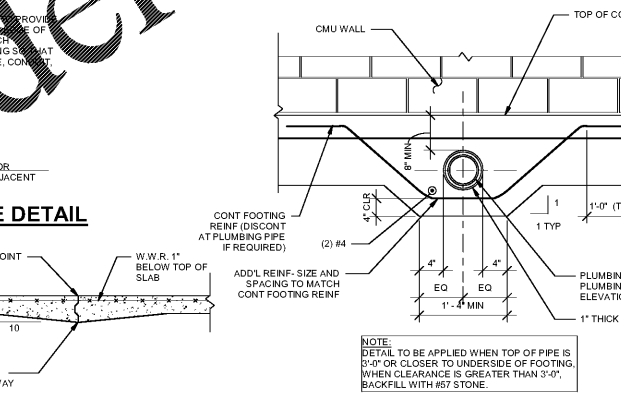
EXCAVATIONS PERPENDICULAR TO WALL FOOTING



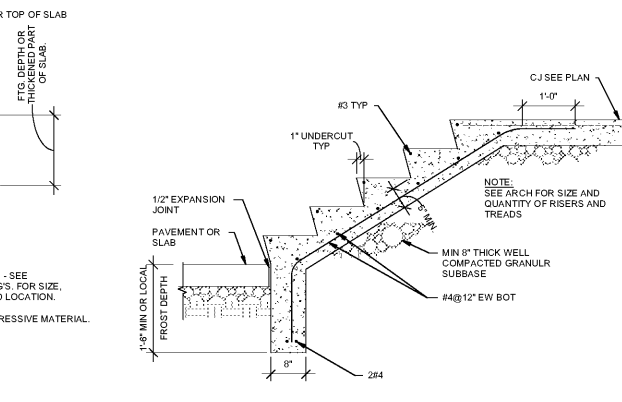
TYP. EXTERIOR COLUMN AND FOOTING DETAIL



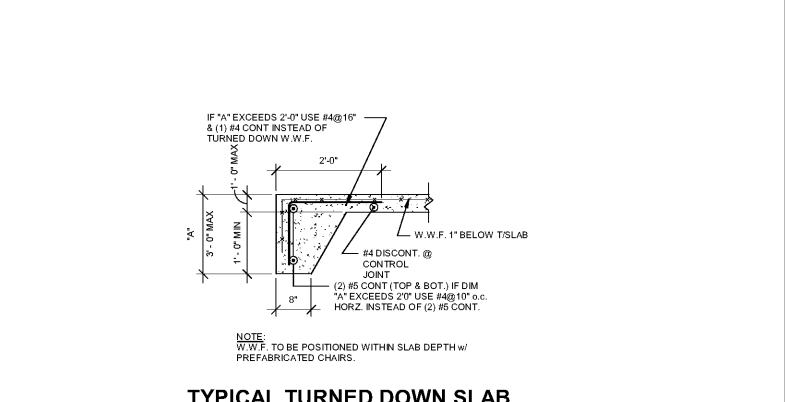
TYPICAL FOUNDATION INFLUENCE DETAIL



TYPICAL UTILITIES UNDER SLAB OR WALL FOOTING



TYPICAL CONCRETE STAIRS ON GRADE



TYPICAL TURNED DOWN SLAB

SAWED CONTROL JOINT
SLABS ON GRADE

TYPICAL CONSTRUCTION JOINTS
4" SLABS ON GRADE

PROJECT NUMBER: 1702 PROJECT NAME: TEMPLATE TESTING
 SHEET NUMBER: S4.1, TYPICAL DETAILS
 C:\Users\cbayant\Documents\BaMo - Struct - 2019_cbyant\WKR62.rvt
 3/19/2020 7:02:56 PM

BARACK & MICHELLE OBAMA
ACADEMY



970 Martin St SE, Atlanta, GA 30315
ATLANTA PUBLIC SCHOOLS

TYPICAL DETAILS

Designer	12/19
Prepared/Charge	
Approver	03/16/20
Issue Manager	
Checker	
Project Engineer	
Author	
Staff Engineer	

S4.1

NOT ISSUED FOR CONSTRUCTION