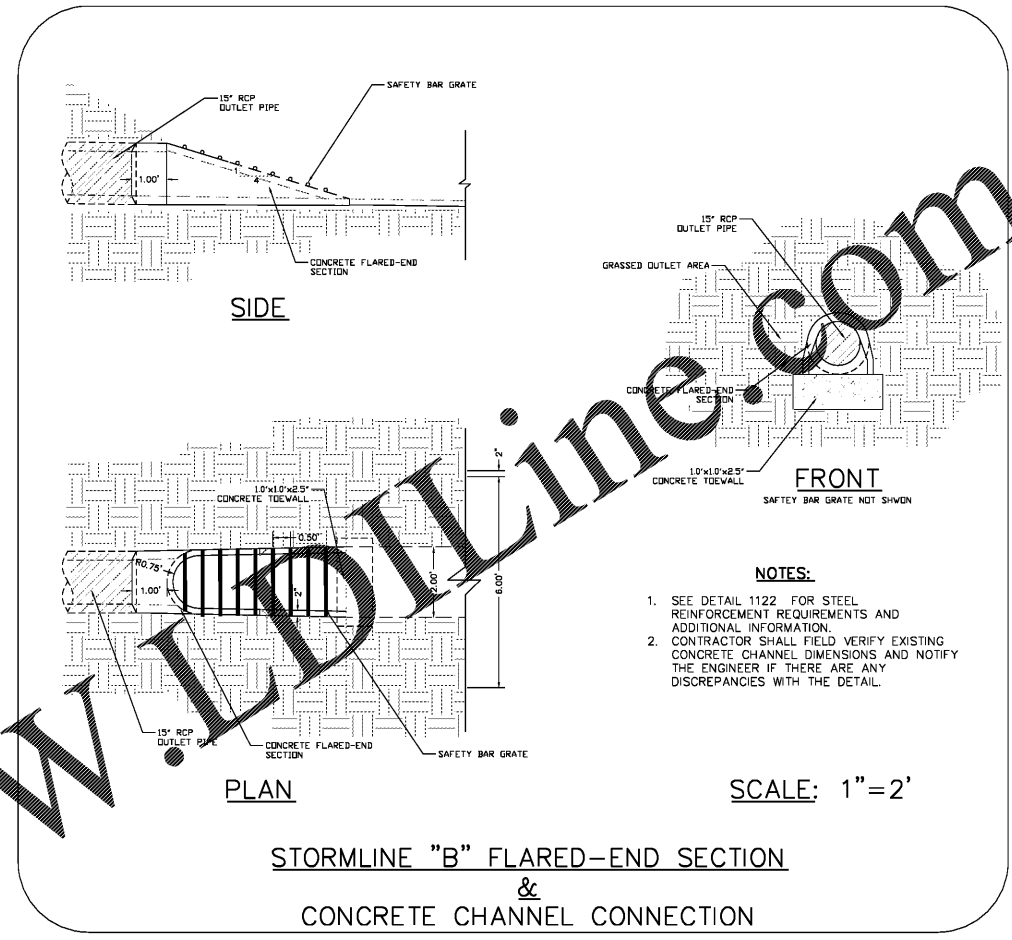
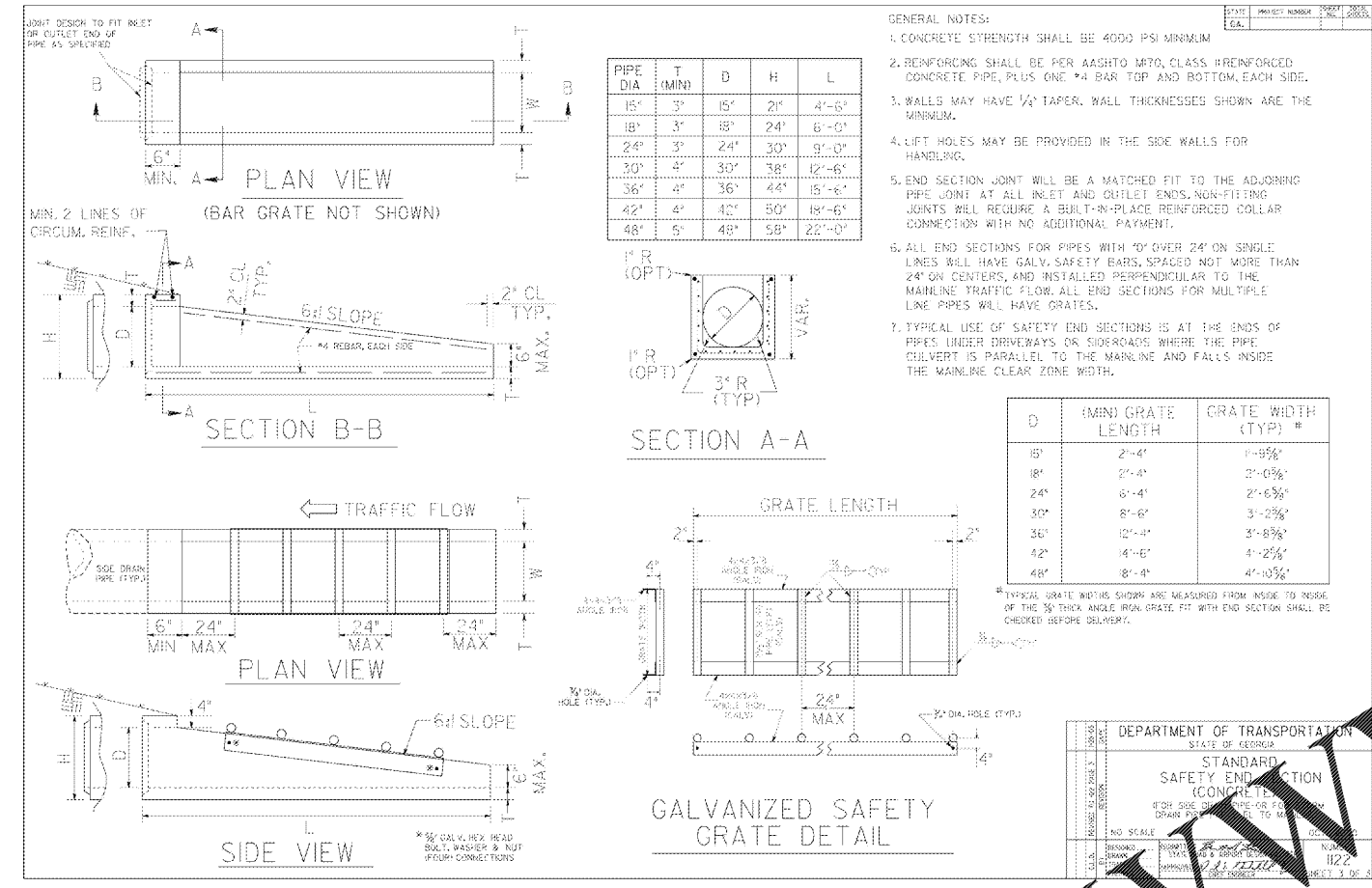
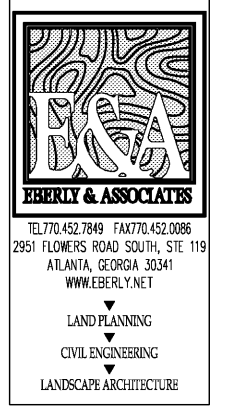
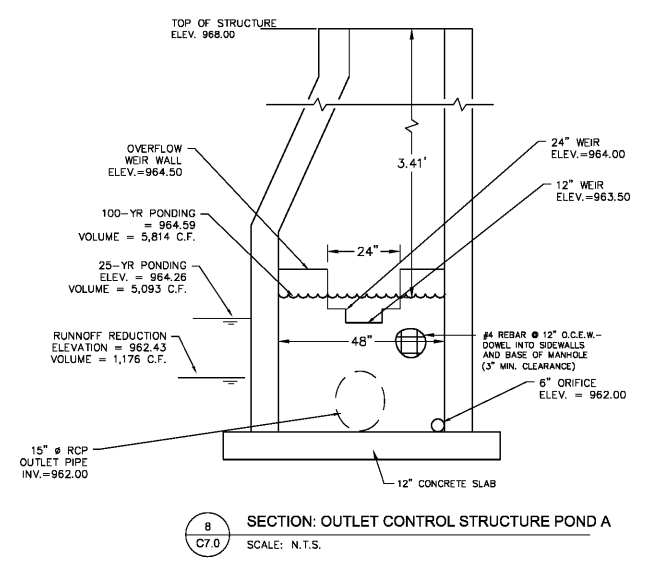
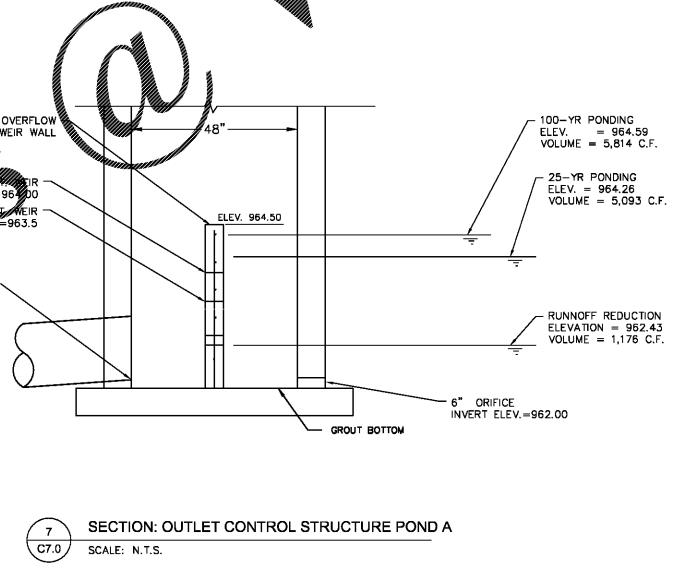


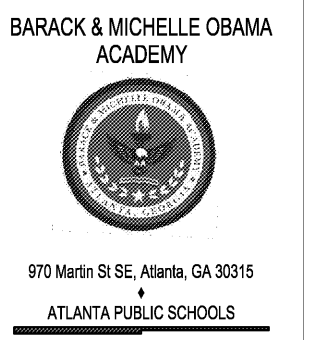
THERE MUST BE 6" MAXIMUM SPACING BETWEEN SAFETY BARS TO RESTRICT ACCESS BY CHILDREN.



Order Plans @ www.idline.com



ISSUANCES		
No.	Drawing Issue Description	Date
1	DESIGN DEVELOPMENT	3/18/20



CONSTRUCTION DETAILS

D LEE	19-128
A SAMPLE	3/18/20
M WRIGHT	
M WRIGHT	
CHECKED	
	C7.04