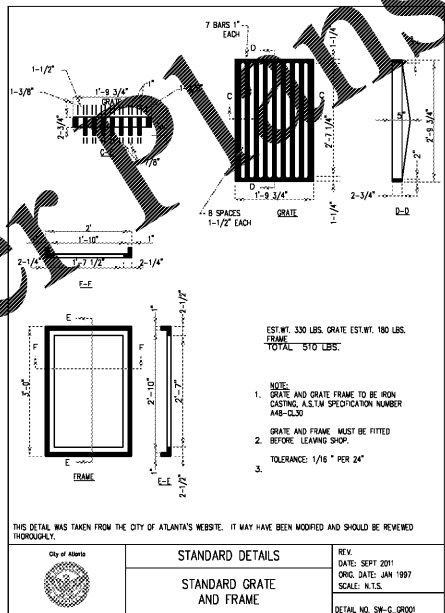
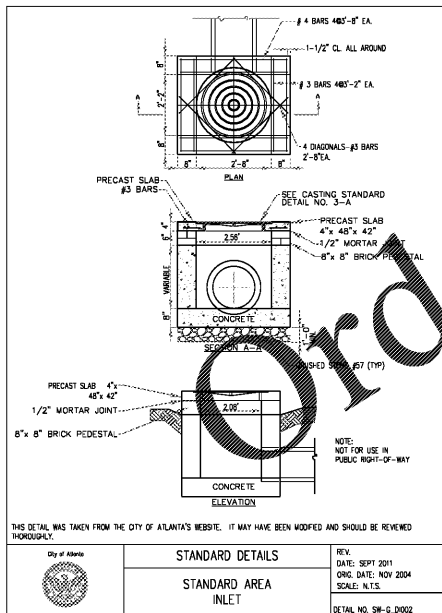
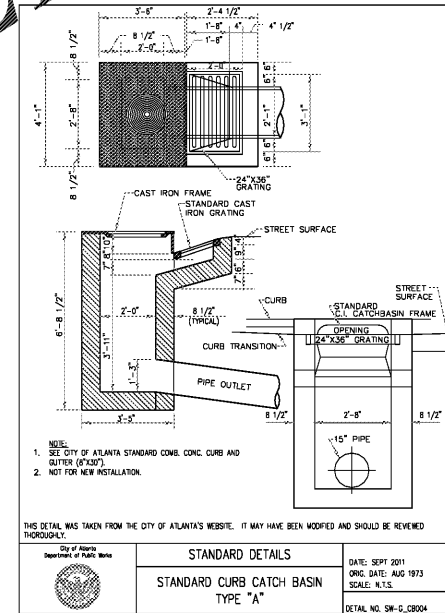
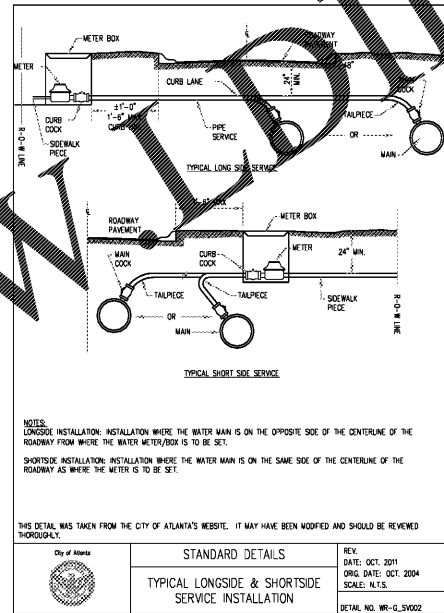
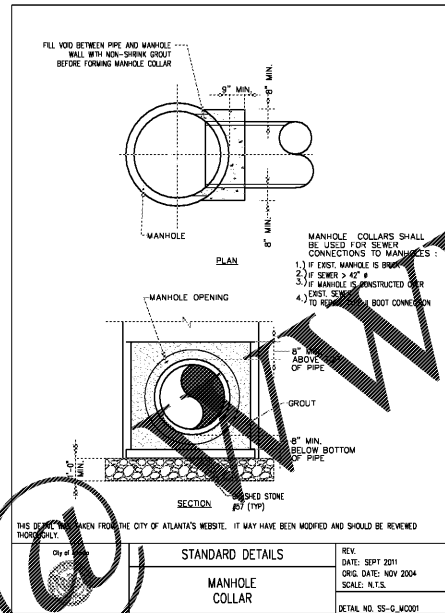
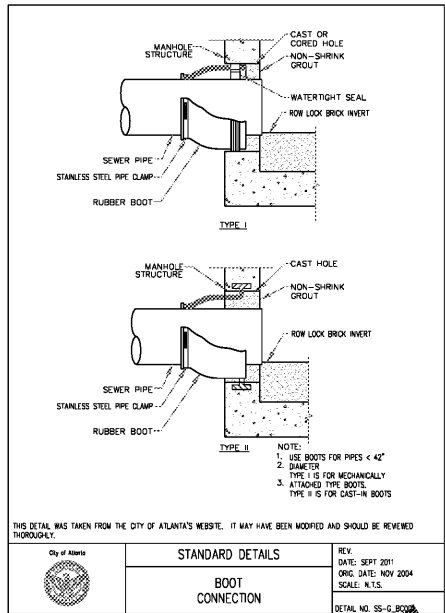
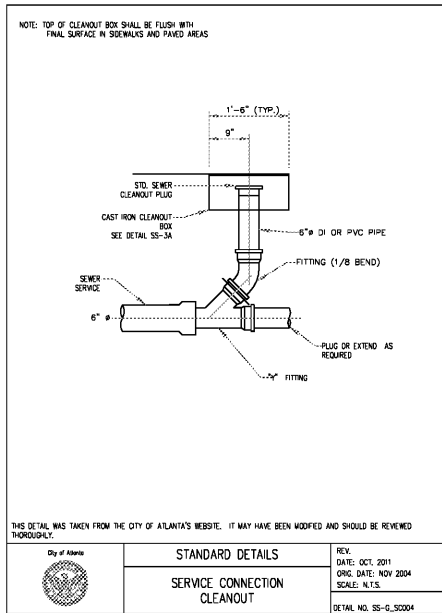
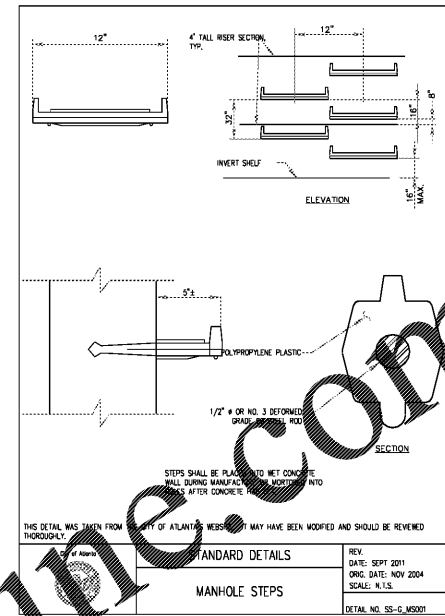
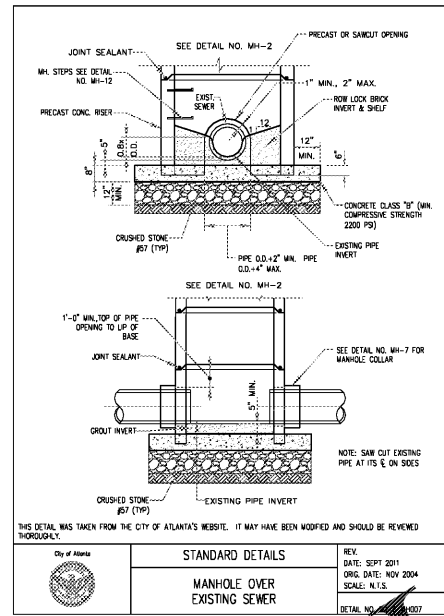
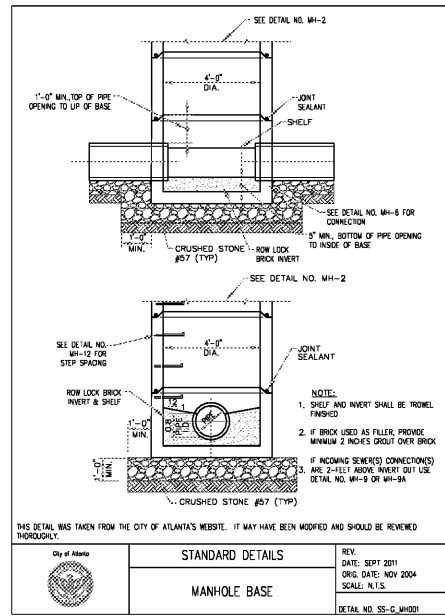


STANDARD DETAILS
MANHOLE PLAN AND DIAMETERS

PIPE SIZE	ANGLE 7.5°	MIN. DIA.	MIN. DIA.	MIN. DIA.
8" TO 15"	0° TO 90°	4'-0"	5'	0"
18" TO 24"	0° TO 90°	4'-0"	5'	0"
18" TO 24"	60° TO 90°	5'-0"	6'	0"
27" TO 30"	0° TO 30°	5'-0"	6'	0"
27" TO 30"	30° TO 60°	5'-0"	6'	0"
27" TO 30"	60° TO 90°	5'-0"	6'	0"
36"	0° TO 90°	6'-0"	7'	0"
42"	0° TO 60°	7'-0"	8'	0"
42"	60° TO 90°	8'-0"	9'	0"
48"	0° TO 45°	8'-0"	9'	0"
48"	45° TO 90°	12'-0"	13'	0"
54"	0° TO 60°	8'-0"	9'	0"
54"	60° TO 90°	12'-0"	13'	0"
60"	0° TO 30°	8'-0"	9'	0"
60"	30° TO 45°	8'-0"	9'	0"
60"	45° TO 60°	10'-0"	11'	0"
60"	60° TO 90°	12'-0"	13'	0"

NOTE: MINIMUM 6" RADIUS (R) OF MANHOLE INVERT = 1.5 x PIPE DIAMETER

REV. DATE: SEPT 2011
ORIG. DATE: JAN 1997
SCALE: N.T.S.
DETAIL NO. SS-G-M1009



EBERLY & ASSOCIATES
 TEL: 770.452.7849 FAX: 770.452.0086
 2951 FLOWERS ROAD SOUTH, STE 119
 ATLANTA, GEORGIA 30341
 WWW.EBERLY.NET
 LAND PLANNING
 CIVIL ENGINEERING
 LANDSCAPE ARCHITECTURE

ISSUANCES

No.	Drawing Issue Description	Date
1	DESIGN DEVELOPMENT	3/18/20

BARACK & MICHELLE OBAMA ACADEMY

 970 Martin St SE, Atlanta, GA 30315
 ATLANTA PUBLIC SCHOOLS

CONSTRUCTION DETAILS

D LEE	19-128
A SAMPLE	3/18/20
M WRIGHT	
M WRIGHT	
GRAND CHECK	

C7.03

NOT ISSUED FOR CONSTRUCTION