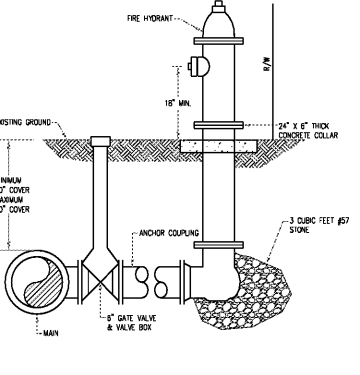
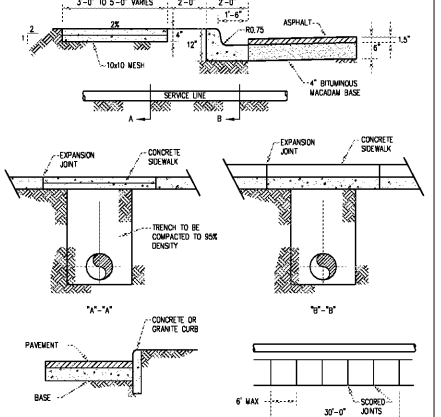


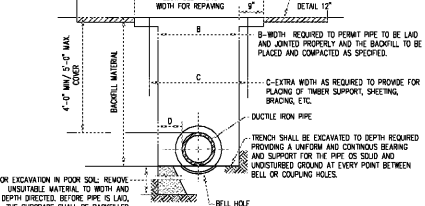
STANDARD DETAILS
TYPICAL WATER MAIN BEDDING & HAUNCHING
REV. DATE: OCT. 2011
ORIG. DATE: OCT. 2004
SCALE: N.T.S.
DETAL NO. WR-G-1002



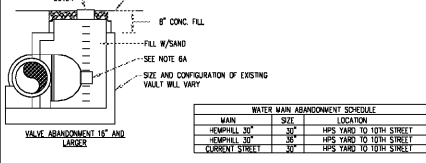
STANDARD DETAILS
TYPICAL FIRE HYDRANT
REV. DATE: OCT. 2011
ORIG. DATE: OCT. 2004
SCALE: N.T.S.
DETAL NO. WR-G-1001



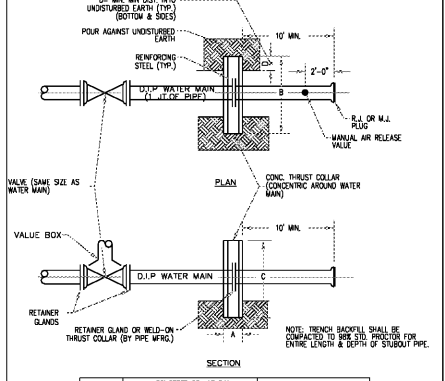
STANDARD DETAILS
SIDEWALK, CURB AND GUTTER REPAIRS
REV. DATE: OCT. 2011
ORIG. DATE: NOV. 2004
SCALE: N.T.S.
DETAL NO. WR-G-1004



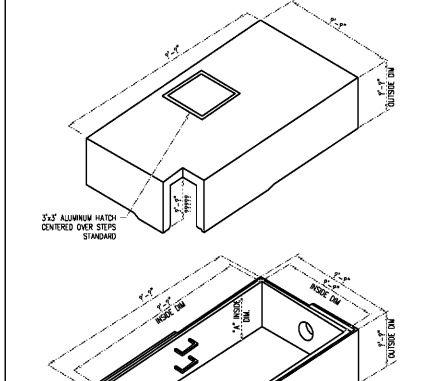
STANDARD DETAILS
TYPICAL WATERLINE TRENCH SECTION
REV. DATE: OCT. 2011
ORIG. DATE: OCT. 2004
SCALE: N.T.S.
DETAL NO. WR-G-1001



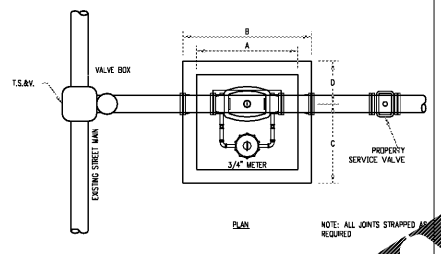
STANDARD DETAILS
TYPICAL WATER MAIN AND VALVE ABANDONMENT
REV. DATE: OCT. 2011
ORIG. DATE: NOV. 2004
SCALE: N.T.S.
DETAL NO. WR-G-1003



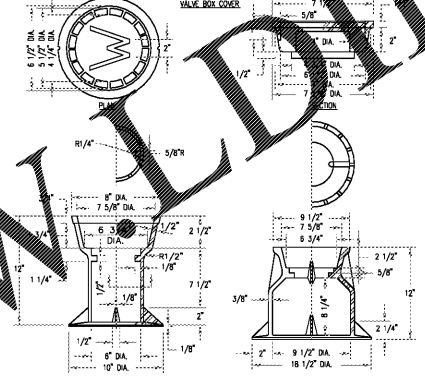
STANDARD DETAILS
TYPICAL WATER MAIN TERMINATION
REV. DATE: OCT. 2011
ORIG. DATE: OCT. 2004
SCALE: N.T.S.
DETAL NO. WR-G-1001



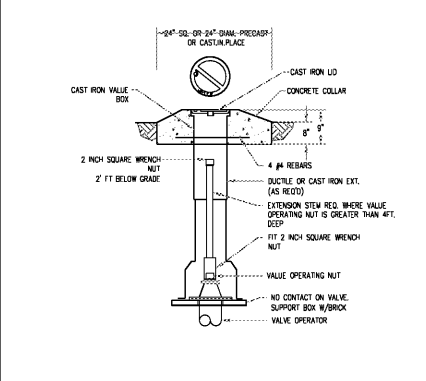
STANDARD DETAILS
TYPICAL 6"-12" VALVE VAULT
REV. DATE: SEPT. 2011
ORIG. DATE: JULY 1984
SCALE: N.T.S.
DETAL NO. WR-G-1001



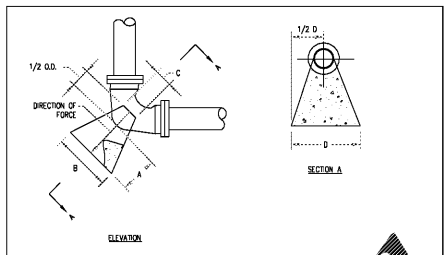
STANDARD DETAILS
TYPICAL DETECTOR CHECK VALVE INSTALLATION
REV. DATE: OCT. 2011
ORIG. DATE: NOV. 2004
SCALE: N.T.S.
DETAL NO. WR-G-1004



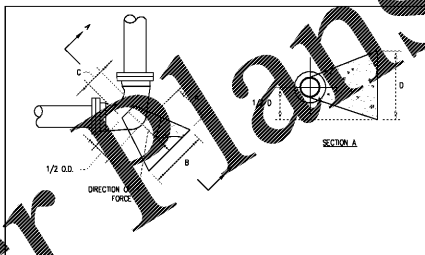
STANDARD DETAILS
TYPICAL 4"-12" VALVE BOX ASSEMBLIES
REV. DATE: OCT. 2011
ORIG. DATE: OCT. 2004
SCALE: N.T.S.
DETAL NO. WR-G-1002



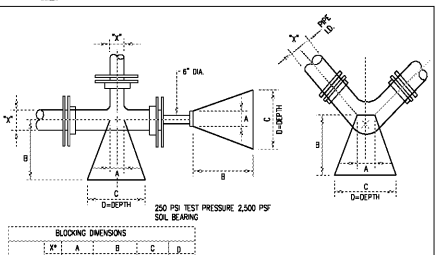
STANDARD DETAILS
TYPICAL UNDERGROUND VALVE BOX
REV. DATE: OCT. 2011
ORIG. DATE: NOV. 2004
SCALE: N.T.S.
DETAL NO. WR-G-1001



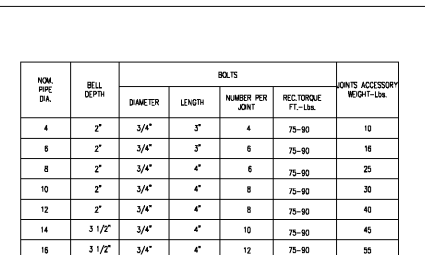
STANDARD DETAILS
TYPICAL DOWNWARD THRUST BLOCK
REV. DATE: OCT. 2011
ORIG. DATE: NOV. 2004
SCALE: N.T.S.
DETAL NO. WR-G-1004



STANDARD DETAILS
TYPICAL HORIZONTAL THRUST BLOCK
REV. DATE: OCT. 2011
ORIG. DATE: NOV. 2004
SCALE: N.T.S.
DETAL NO. WR-G-1005



STANDARD DETAILS
TYPICAL BLOCKING
REV. DATE: OCT. 2011
ORIG. DATE: OCT. 2004
SCALE: N.T.S.
DETAL NO. WR-G-1008



STANDARD DETAILS
MECHANICAL JOINT BOLT USAGE CHART
REV. DATE: OCT. 2011
ORIG. DATE: NOV. 2004
SCALE: N.T.S.
DETAL NO. WR-G-1002



ISSUANCES
No. 1 Drawing Issue Description Date
1 DESIGN DEVELOPMENT 3/18/20

ISSUANCES
No. 1 Drawing Issue Description Date
1 DESIGN DEVELOPMENT 3/18/20

ISSUANCES
No. 1 Drawing Issue Description Date
1 DESIGN DEVELOPMENT 3/18/20

ISSUANCES
No. 1 Drawing Issue Description Date
1 DESIGN DEVELOPMENT 3/18/20

ISSUANCES
No. 1 Drawing Issue Description Date
1 DESIGN DEVELOPMENT 3/18/20

ISSUANCES
No. 1 Drawing Issue Description Date
1 DESIGN DEVELOPMENT 3/18/20

ISSUANCES
No. 1 Drawing Issue Description Date
1 DESIGN DEVELOPMENT 3/18/20

ISSUANCES
No. 1 Drawing Issue Description Date
1 DESIGN DEVELOPMENT 3/18/20

ISSUANCES
No. 1 Drawing Issue Description Date
1 DESIGN DEVELOPMENT 3/18/20

ISSUANCES
No. 1 Drawing Issue Description Date
1 DESIGN DEVELOPMENT 3/18/20

ISSUANCES
No. 1 Drawing Issue Description Date
1 DESIGN DEVELOPMENT 3/18/20

ISSUANCES
No. 1 Drawing Issue Description Date
1 DESIGN DEVELOPMENT 3/18/20

ISSUANCES
No. 1 Drawing Issue Description Date
1 DESIGN DEVELOPMENT 3/18/20

ISSUANCES
No. 1 Drawing Issue Description Date
1 DESIGN DEVELOPMENT 3/18/20

ISSUANCES
No. 1 Drawing Issue Description Date
1 DESIGN DEVELOPMENT 3/18/20

ISSUANCES
No. 1 Drawing Issue Description Date
1 DESIGN DEVELOPMENT 3/18/20

ISSUANCES
No. 1 Drawing Issue Description Date
1 DESIGN DEVELOPMENT 3/18/20

ISSUANCES
No. 1 Drawing Issue Description Date
1 DESIGN DEVELOPMENT 3/18/20

ISSUANCES
No. 1 Drawing Issue Description Date
1 DESIGN DEVELOPMENT 3/18/20

Order Plans

BARACK & MICHELLE OBAMA ACADEMY



970 Martin St SE, Atlanta, GA 30315
ATLANTA PUBLIC SCHOOLS

CONSTRUCTION DETAILS

D LEE 19-128
A SAMPLE 3/18/20

M WRIGHT
M WRIGHT
C7.02

NOT ISSUED FOR CONSTRUCTION