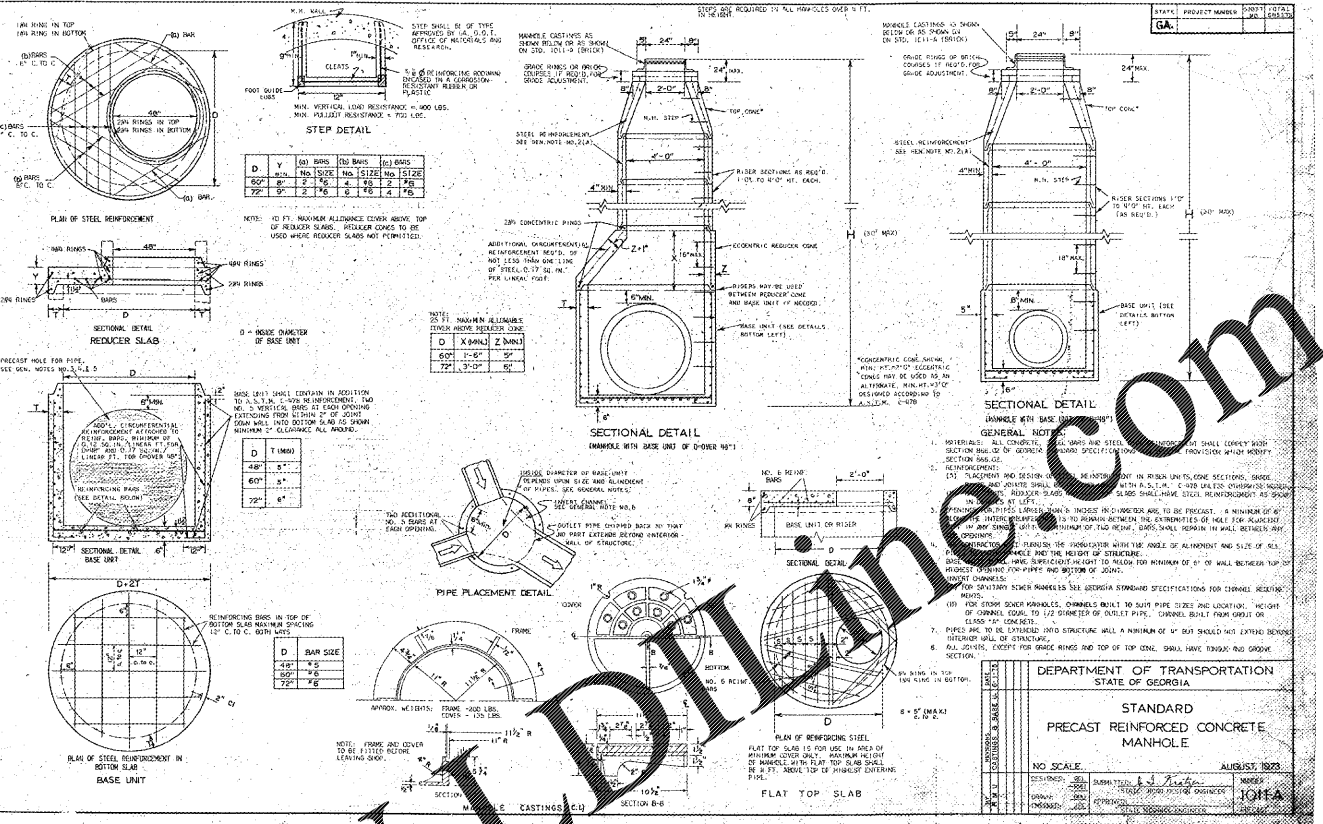
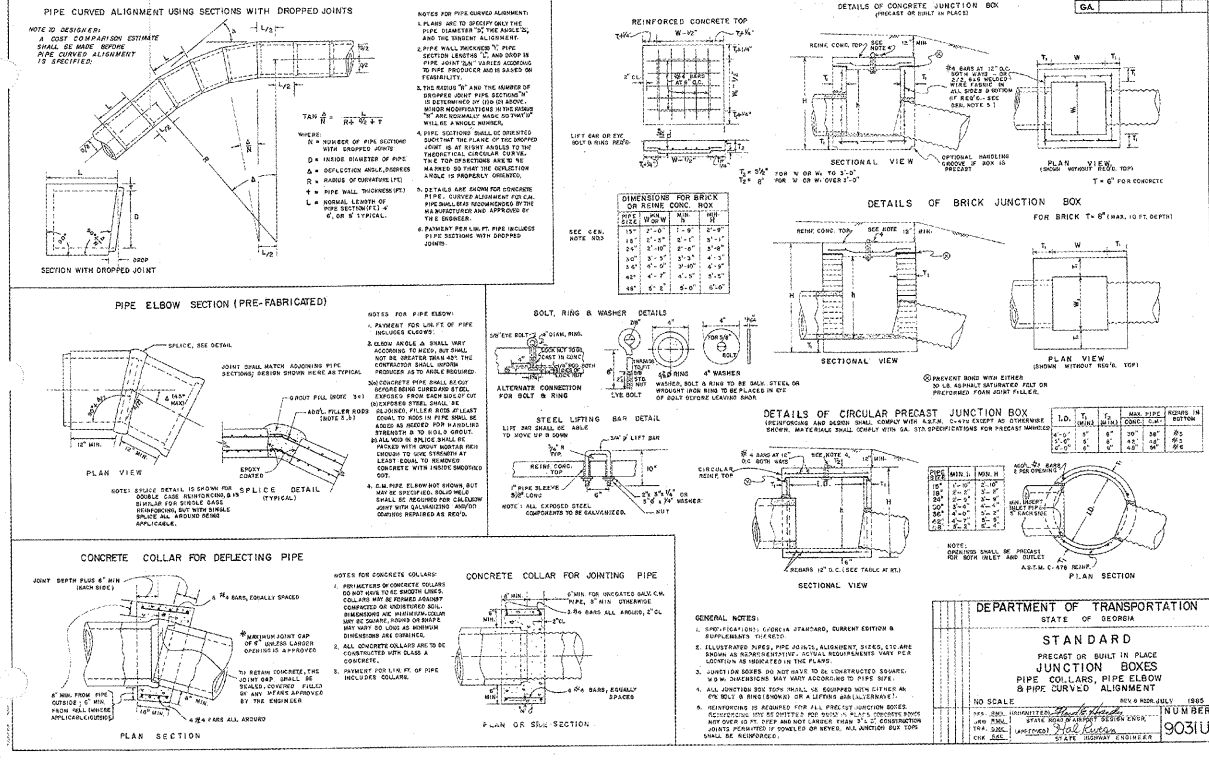




TEL: 770.452.7849 FAX: 770.452.0086  
2951 FLOWERS ROAD SOUTH, STE 119  
ATLANTA, GEORGIA 30341  
WWW.EBERLY.NET

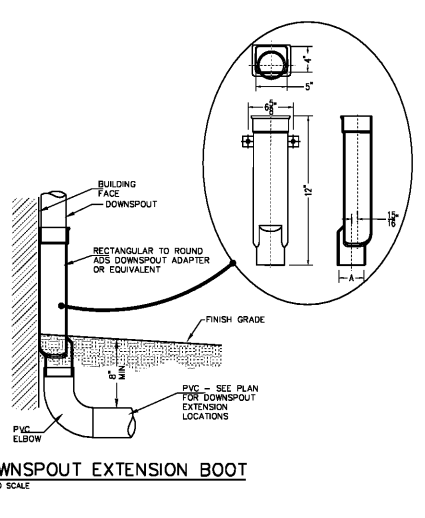
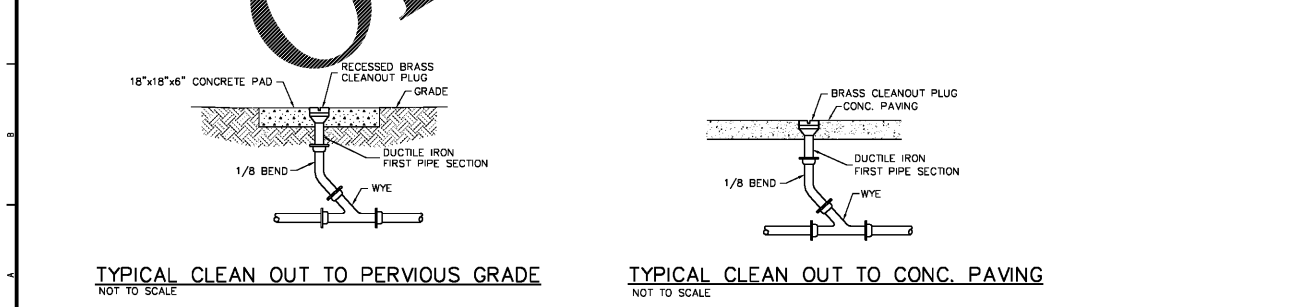
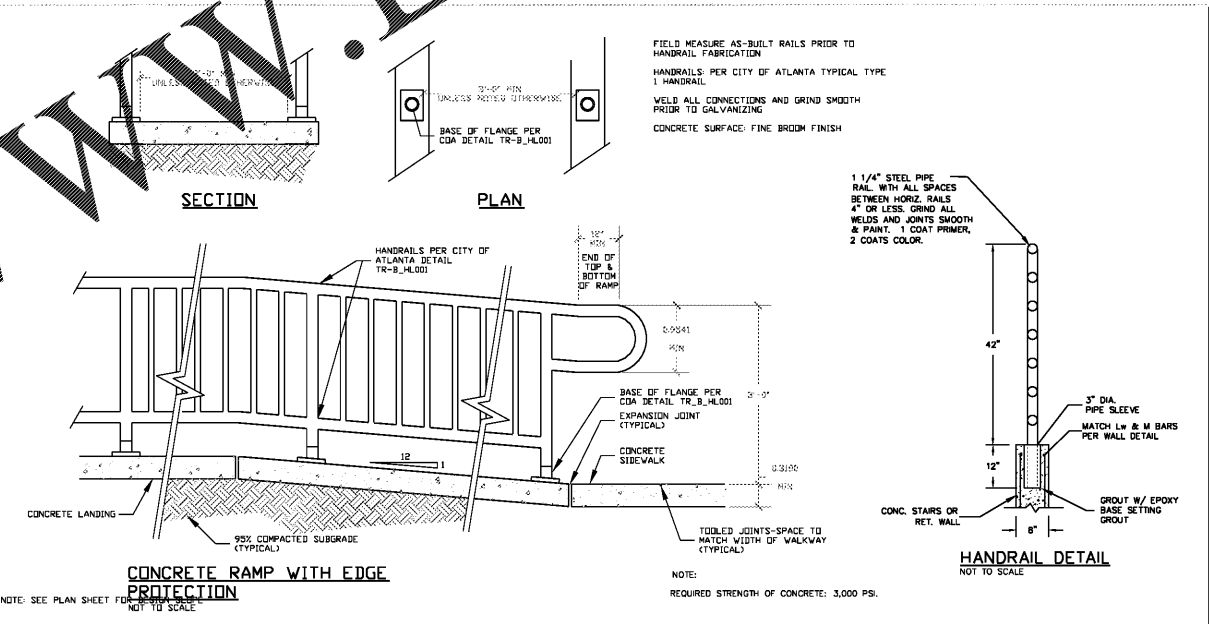
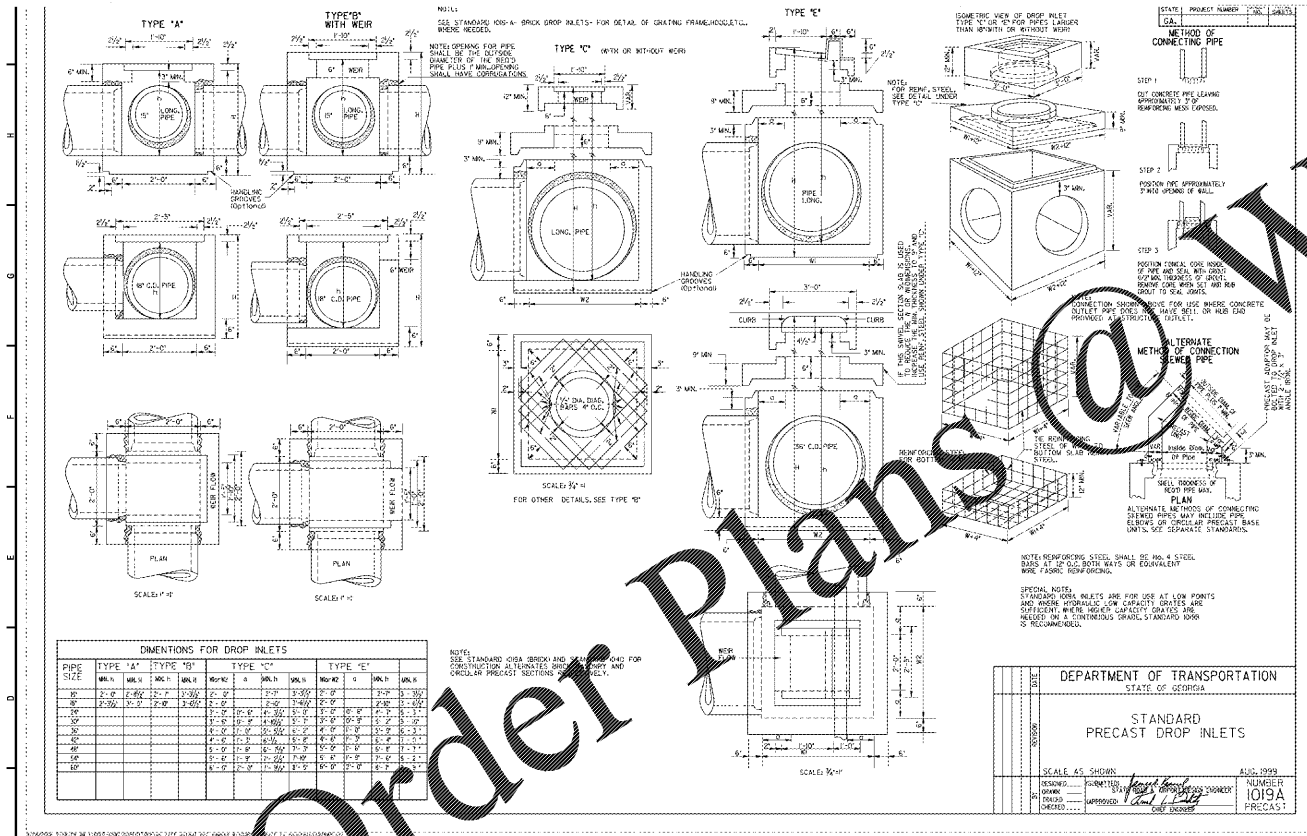
LAND PLANNING  
CIVIL ENGINEERING  
LANDSCAPE ARCHITECTURE

ISSUANCES		
No.	Drawing Issue Description	Date
1	DESIGN DEVELOPMENT	3/18/20



DEPARTMENT OF TRANSPORTATION  
STATE OF GEORGIA  
STANDARD  
PRECAST OR BUILT IN PLACE  
JUNCTION BOXES,  
PIPE COLLARS, PIPE ELBOW  
PIPE CURVED ALIGNMENT

NO SCALE  
AUGUST 2003  
NUMBER 903IU



BARACK & MICHELLE OBAMA  
ACADEMY



970 Martin St SE, Atlanta, GA 30315  
ATLANTA PUBLIC SCHOOLS

CONSTRUCTION  
DETAILS

D LEE	19-128
A SAMPLE	3/18/20
M WRIGHT	
M WRIGHT	
0800 DSK	C7.01

NOT ISSUED FOR CONSTRUCTION