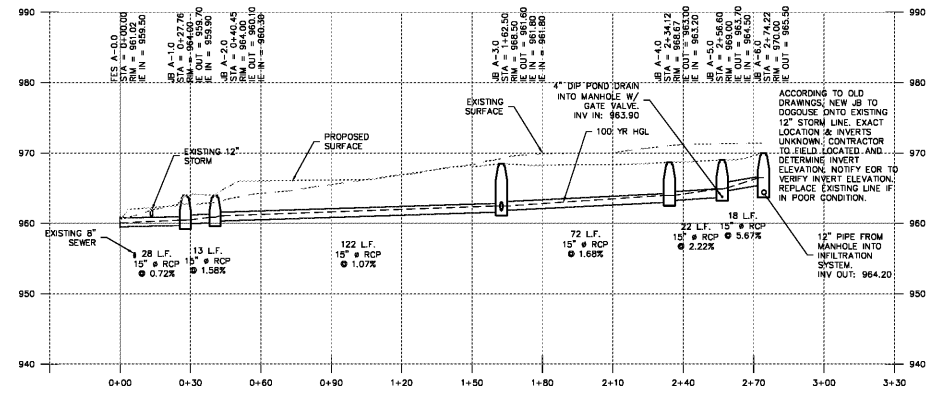
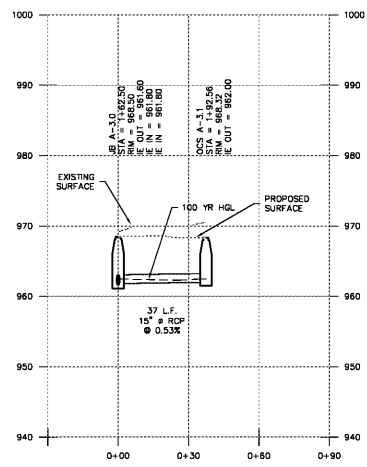


TEL: 770.452.7849 FAX: 770.452.0086  
 2951 FLOWERS ROAD SOUTH, STE 119  
 ATLANTA, GEORGIA 30341  
 WWW.EBERLY.NET  
 LAND PLANNING  
 CIVIL ENGINEERING  
 LANDSCAPE ARCHITECTURE

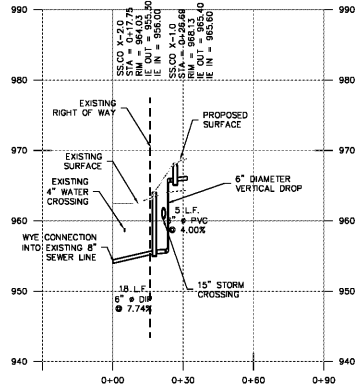
ISSUANCES		
No.	Drawing Issue Description	Date
1	DESIGN DEVELOPMENT	3/18/20



**STORM LINE "A"**  
 SCALE: H:1"=30'  
 V:1"=10'



**STORM LINE "A-3"**  
 SCALE: H:1"=30'  
 V:1"=10'



**SANITARY LINE "X"**  
 SCALE: H:1"=30'  
 V:1"=10'

LineNo.	InletID	DrainageArea	RunoffCoeff	Inlet	FlowRate	LineSize	LineSlope	n-value/Pipe	Rim-Hgt	InvertD	CapacityFull	VelUp
		(sq)	(C)	(In/ft)	(cfs)	(In)	(%)		(ft)	(ft)	(cfs)	(ft/s)
1	JR-A-1.0	0	0	7.04	15	1.44	0.013	950.4	960.8	960.8	7.25	4.34
2	JR-A-2.0	0	0	7.06	15	1.58	0.013	958.8	960.8	960.8	1.11	6.34
3	JR-A-3.0	0	0	7.15	15	1.15	0.013	961.4	962.47	962.47	6.92	6.4
4	JR-A-4.0	0	0	5.73	15	1.95	0.013	963	963.97	963.97	9.03	3.62
5	JR-A-5.0	0	0	5.75	15	1.95	0.013	963.9	963.2	964.87	11.4	5.53
6	JR-A-6.0	0.62	0.66	10.83	15	1.95	0.013	965.5	964.5	966.47	15.38	5.64
7	OCS-A-3.1	0	0	5.53	15	1.95	0.013	962	961.6	962.491	6.68	3.43

Notes: J-Line contains hyd. jump

Order Plans @

WWW.LDILine.com

**OWNER/DEVELOPER**  
 ATLANTA PUBLIC SCHOOLS  
 1631 LA FRANCE ST. NE  
 ATLANTA, GA 30307  
 PHONE: (404) 802-3712  
 CONTACT: JERE J. SMITH III

**ENGINEER**  
 ANTONIO SAMPLE, E.I.T.  
 EBERLY & ASSOCIATES, INC.  
 2951 FLOWERS ROAD SOUTH  
 SUITE 119  
 ATLANTA, GEORGIA 30341  
 (770) 452-7849

**24 HOUR CONTACT**  
 JERE J. SMITH III, AIA  
 (404) 802-3736

BARACK & MICHELLE OBAMA  
 ACADEMY

970 Martin St SE, Atlanta, GA 30315  
 ATLANTA PUBLIC SCHOOLS

UTILITY PROFILES

D LEE	19-128
A SAMPLE	3/18/20
M WRIGHT	
M WRIGHT	
M WRIGHT	
C6.00	

CALL 811  
 FREE THROUGHOUT  
 THE U.S.A.  
 THREE WORKING DAYS  
 BEFORE YOU DIG.

www.Georgia811.com  
 Know what's below.  
 Call before you dig.