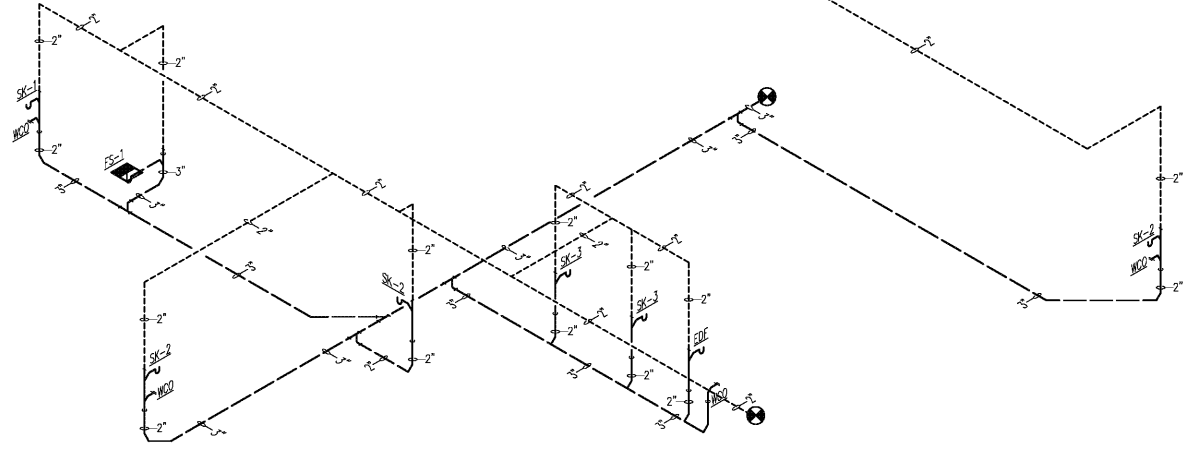


GENERAL NOTES: PLUMBING RISER

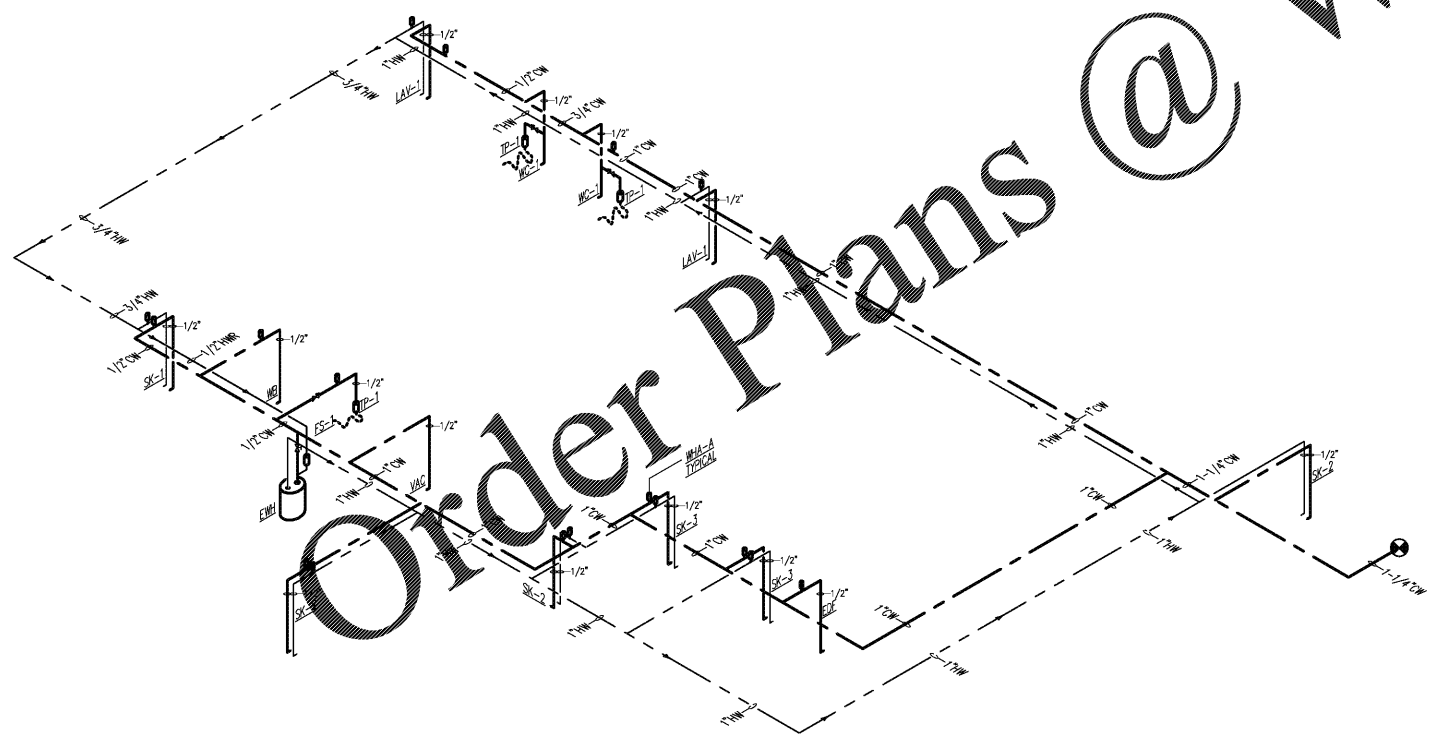
WHEN NOT SHOWN ON PLANS, INDIVIDUAL FIXTURE CONNECTIONS SHALL BE SIZE AS SHOWN ON PLUMBING FIXTURE SCHEDULE.

ISOMETRIC DIAGRAMS ARE FOR SIZING PURPOSES ONLY AND SHALL NOT BE USED FOR MATERIAL TAKE-OFFS, OR BE CONSTRUED TO INDICATE ACTUAL SITE INSTALLATION. CONTRACTOR SHALL COORDINATE EXACT LOCATIONS OF PIPING, DEVICES AND EQUIPMENT WITH BUILDING ELEMENTS AND THE WORK OF OTHER TRADES.

PROVIDE WATER HAMMER ARRESTORS FOR EACH GROUP OF FIXTURES WHETHER INDICATED OR NOT ON PLAN. PROVIDE ACCESS PANEL WHERE LOCATED IN INACCESSIBLE CEILING OR WALL.



1 PLUMBING RISER - WASTE AND VENT
NIS



2 PLUMBING RISER - DOMESTIC WATER
NIS

TAG	DESCRIPTION	BASIS OF DESIGN		CONNECTION SIZE					
		MANUFACTURER	CATALOG NUMBER	CW	HW	TW	WASTE	INDIRECT WASTE	VENT
		INCHES	INCHES	INCHES	INCHES	INCHES	INCHES		
WC-1	FLOOR MOUNTED WHITE V.C. ELONGATED BOWL RIGHT HEIGHT TOILET 1.28 GPF - BOWL, TANK AND OPEN FRONT LESS COVER SEAT ADA	AMERICAN STANDARD	CADET 213AA 104 020	1/2"	-	-	4"	-	2"
LAV-1	WALL MOUNT V.C. 20-1/2" X 18-1/4" LAVATORY 4" CENTERSET HOLE. PROVIDE WALL HANGER. TWO-HANDLE CHROME PLATED FAUCET 0.5GPM	AMERICAN STANDARD	"LUCERNE" 0953-012 MODEN "M-SITION" 8806F05	1/2"	1/2"	1/2"	2"	-	2"
FS-1	12" SQUARE, 8" DEEP CAST IRON DRAIN WITH ENAMELED INTERIOR, 1/2 GRATE, 1/2" TRAP PRIMER CONNECTION, WHITE A.R.C. ANTI-SPLASH STRAINER.	ZURN	Z1901-2-25-P-K-33	1/2"	1/2"	-	3"	-	-
FD-1	CAST IRON WITH 6" DIAMETER TYPE 'B' STRAINER. PROVIDE OPTION (1-P) 1/2" TRAP PRIMER CONNECTION.	ZURN	Z-4158-P	-	-	-	2"	-	2"
TP-1	FULLY AUTOMATIC TRAP PRIMER VALVE.	PRECISION PLUMBING PRODUCTS	PR-500	1/2"	-	-	-	-	-
SK-1	TOP MOUNT SS 25"X22"X5-1/2" SINGLE BOWL SINK. SINGLE HOLE DRILLING CONFIGURATION. PROVIDE PULL-DOWN SPRAY AND FORWARD LEVEL HANDLE KITCHEN FAUCET 1.5GPM	ELKAY	LRAD2522SS FAUCET LK406GN051R	-	-	-	2"	-	2"
SK-2	TOP MOUNT SS 25"X22"X5-1/2" SINGLE BOWL SINK. TWO HOLE DRILLING CONFIGURATION. PROVIDE GOOSENECK SPOUT/WRISTBLADE HANDLES FAUCET 1.5GPM	ELKAY	LRAD2522SS FAUCET LK406GN051R	-	1/2"	-	2"	-	2"
SK-3	TOP MOUNT SS 15" X 15" X 6-1/8" SINGLE BOWL SINK. TWO HOLE DRILLING CONFIGURATION. PROVIDE GOOSENECK SPOUT/WRISTBLADE HANDLES FAUCET 1.5GPM	ELKAY	BC1515 FAUCET LK406GN051R	1/2"	1/2"	-	2"	-	2"
WB	QUARTER TURN BALL VALVE COPPER SWEAT ICE WATER CUP TIGHT BOX	ORBITAL	39130	1/2"	-	-	-	-	-
TMV	ADJUSTABLE THERMOSTATIC POINT-OF-USE MIXING VALVE WITH INLET CHECK STOP CONFORMING TO ASSI 1070. WATER LIMIT UP TO 105°F. SET TEMPERATURE TO 105°F	LEONARD	170 LF	1/2"	1/2"	1/2"	-	-	-
	FREE WALL MOUNTED BI-LEVEL THERMAL WATER COOLER, 100% CAPACITY COOLED TO 50°F WITH 90°F AMBIENT TEMPERATURE. 1500 WATT. 115V/60HZ POWER. PROVIDE 1/2" OR EQUAL FLOOR MOUNTED PLATE TYPE RISER. PROVIDE APRON FOR SIDE ACCESS CLEARANCE.	ELKAY	EZSTL.BC	1/2"	-	-	2"	-	2"

RECIRCULATING PUMP SCHEDULE								
MARK	SERVICE	GPM	TOTAL HEAD FT	MOTOR HP	ELECTRICAL			REMARKS
					VOLTS	PHASE	HERTZ	
CP-1	HW RECIRCULATION	2	10	0.115	115	1	60	GRUNDFOSS UPS 15-18 BUICS WIAQUASTAT + TIMER

ELECTRIC WATER HEATER SCHEDULE							
MARK	RECOVERY		STORAGE GALLONS	LEAVING WTR TEMP.	INPUT		MODEL
	GPH	RISE F			KW	VOLT/PH	
EWH-1	41	60°	30	120°	6	208/1	A.O. SMITH MODEL No. DEL-30-6.0

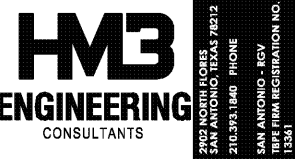
NOTES:
 1. PROVIDE EXPANSION TANK WATTS DETA-5 OR SIMILAR
 2. VACUUM RELIEF VALVE SHALL CONFORM WITH ANSI Z21.22
 3. T&P VALVE SHALL CONFORM WITH ANSI Z21.22

SHOCK ARRESTOR SCHEDULE		
P.D.I. SYMBOL	FIXTURE UNITS	SIZE
(A)	1-11	1/2" NPT
(B)	12-32	3/4" NPT
(C)	33-60	1" NPT
(D)	61-113	1 1/4" NPT
(E)	114-154	1 1/2" NPT
(F)	155-330	2" NPT

PIPING RISER DIAGRAMS ILLUSTRATE WATER HAMMER ARRESTORS AND AIR CHAMBERS FOR FIXTURE WATER PIPE OPENINGS. AIR CHAMBERS SHALL NOT BE USED TO REPLACE WATER HAMMER ARRESTORS. PROVIDE WATER HAMMER ARRESTORS FOR EACH GROUP OF FIXTURES WHETHER SHOWN OR NOT ON PLANS.



8000 IH-10, FRONTAGE RD., STE 300
 SAN ANTONIO, TX 78230
 210-899-4500



2102 NORTH FLORES
 SAN ANTONIO, TEXAS 78212
 210-393-1840 PHONE
 SAN ANTONIO - 16V
 P.M. REGISTRATION NO.
 1534

**DENTAL OFFICES OF
 DR. FREITAS & DR. SOUZA**
 17901 PINES BLVD. SUITE 202, PEMBROKE PINES, FL 33029



ISSUE		
NO.	DATE	DESCRIPTION
1	03-20-2020	PERMIT DOCUMENTS

Project No. HM3 PROJ #20055 Date: 03/20/20
 Sheet Title: **PLUMBING RISERS & SCHEDULES**
 Page No. **P300**