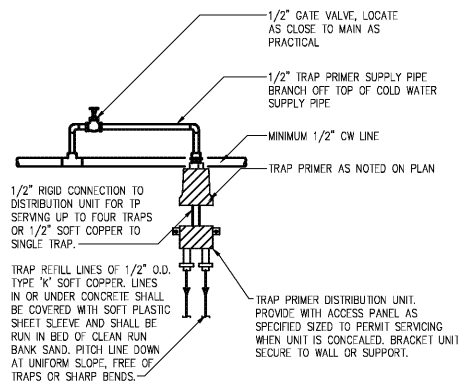
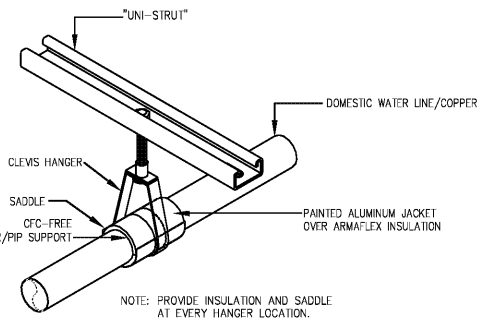


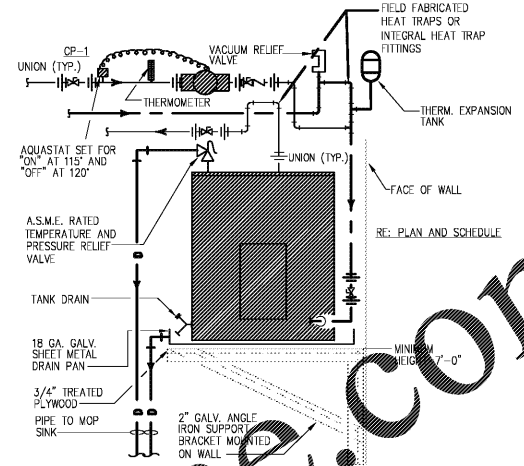
1 VENT THRU ROOF  
NTS



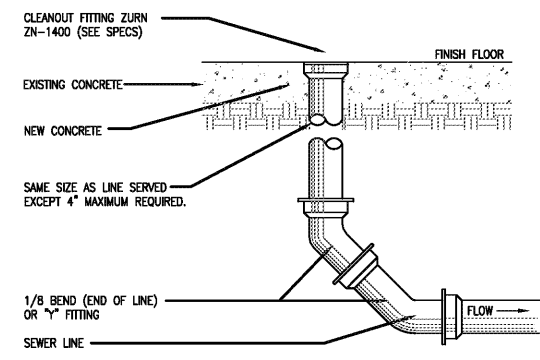
2 TRAP PRIMER DETAIL  
NTS



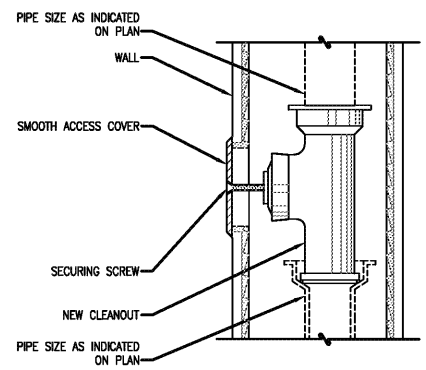
3 WATER PIPING SUPPORT DETAIL  
NTS



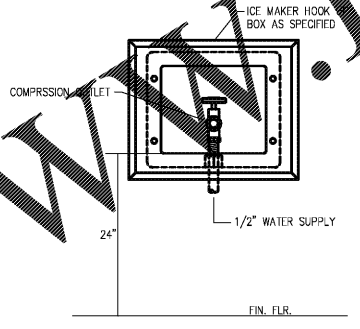
4 ELECTRIC WATER HEATER DETAIL  
NTS



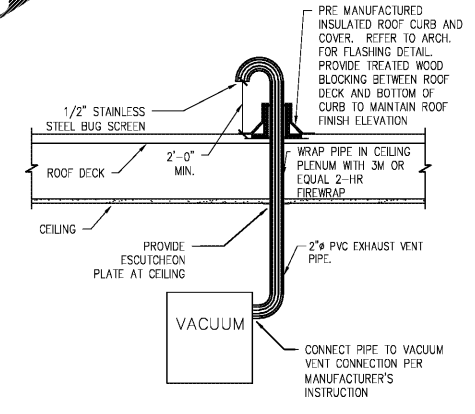
5 FLOOR CLEANOUT DETAIL  
NTS



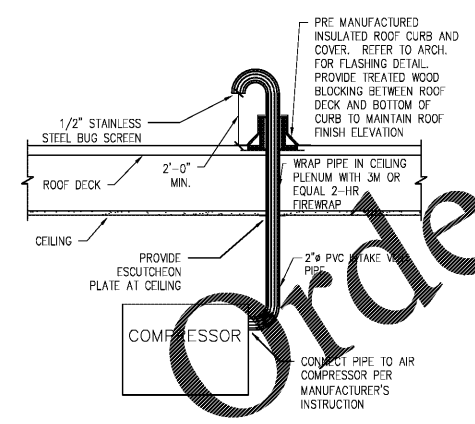
6 WALL CLEANOUT  
NTS



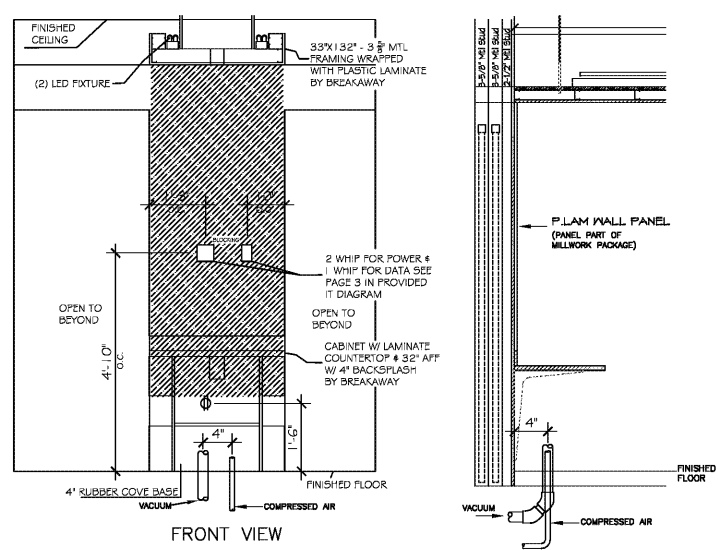
7 ICE MAKER SUPPLY BOX DETAIL (WB)  
NTS



8 EXHAUST VENT FOR VACUUM  
NTS



9 INTAKE FOR AIR COMPRESSOR  
NTS



10 12 O'CLOCK WALL DETAIL  
NTS

WWW.LDILINE.COM

Order Plans @

LEAN  
dental design

8000 IH-10, FRONTAGE RD., STE 300  
SAN ANTONIO, TX 78230  
210-899-4500

**HM3**  
ENGINEERING  
CONSULTANTS

2102 NORTH FLORES  
SAN ANTONIO, TEXAS 78212  
210-393-1340 PHONE  
SAN ANTONIO - IGW  
FIRM REGISTRATION NO.  
15341

DENTAL OFFICES OF  
DR. FREITAS & DR. SOUZA

17901 PINES BLVD. SUITE 202, PEMBROKE PINES, FL 33029



ISSUE		
NO.	DATE	DESCRIPTION
1	03-20-2020	PERMIT DOCUMENTS

Project No. HM3 PROJ #20055 Date: 03/20/20

Sheet Title: **PLUMBING DETAILS**

Page No. **P001**